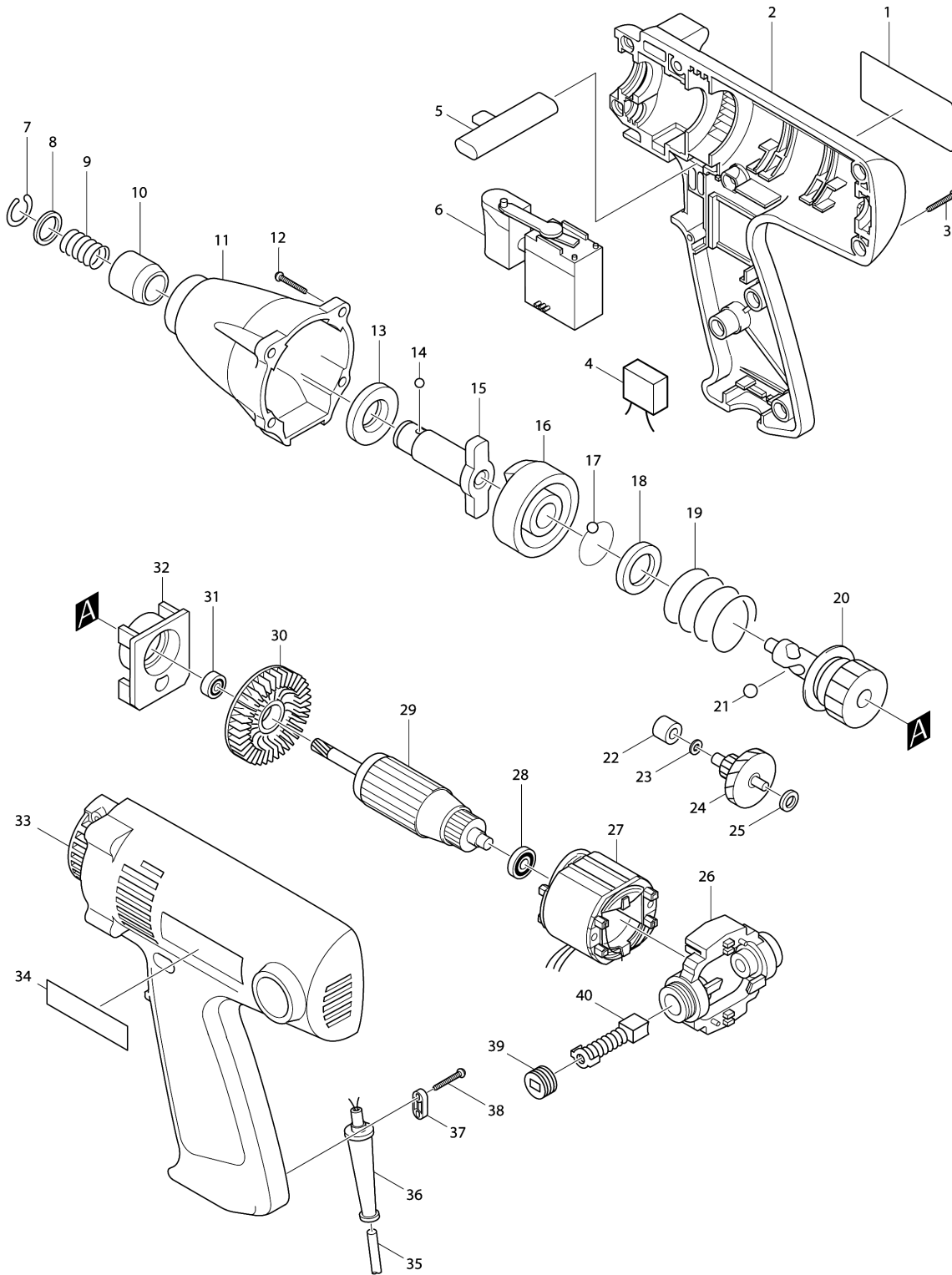


Model No.6951 IMPACT DRIVER



Model No.6951 IMPACT DRIVER

Item	Parts No.	Description	I/C	Qty	New/Old	Opt. 1	Opt. 2	Note
001	859465-1	NAME PLATE 6951		1				
002	182995-0	HOUSING SET		1				
D10		INC. 33,34						
003	265995-6	TAPPING SCREW 4X18		9				
005	416522-4	CHANGE LEVER		1				
006	651965-5	SWITCH C3MA		1	*			
006-1	651965-5	SWITCH C3MA	O	1	*			
006-2	651965-5	SWITCH C3MA	O	1				
007	231951-8	RING SPRING 11		1				
008	267085-1	FLAT WASHER 12		1				
009	233005-7	COMPRESSION SPRING 13		1				
010	322434-0	SLEEVE		1	*			
010-1	324420-7	SLEEVE	O	1				
011	152583-7	HAMMER CASE COMPLETE		1				
012	265995-6	TAPPING SCREW 4X18		4				
013	261099-2	NYLON WASHER 14		1				
014	216001-0	STEEL BALL 3.5		2				
015A_	322754-2	ANVIL		1	*			
015A1	324267-9	ANVIL M	<	1				
016	322793-2	HAMMER		1				
017	216001-0	STEEL BALL 3.5		24				
018	267126-3	FLAT WASHER 22		1				
019	233111-8	COMPRESSION SPRING 24		1				
020	153230-3	SPINDLE COMPLETE		1				
021	216011-7	STEEL BALL 5.6		2				
022	214034-9	PLANE BEARING 5		1				
023	253811-4	FLAT WASHER 5		1				
024	226815-9	GEAR COMPLETE 9-34		1				
025	267099-0	FLAT WASHER 4		1				
026	152582-9	HOLDER ARM COMPLETE		1				
027C_	639700-1	FIELD 220V		1				
028	211023-5	BALL BEARING 607LB		1				
029B_	517528-6	ARMATURE ASS'Y 220V		1				
D10		INC. 28,30,31						
030	240014-9	FAN 40		1				
031	210005-4	BALL BEARING 608DDW		1				
032	152465-3	BEARING CASE COMPLETE		1				
033	182995-0	HOUSING SET		1				
D10		INC. 2,34						
034	819063-3	MAKITA LABEL		1				
035E_	665865-3	POWER SUPPLY CORD 1.0-2-2.5		1				
036B_	682516-3	CORD GUARD 9.3-85		1	*			

Please order the parts with part number.

Print Date 18/6/2019

Model No.6951 IMPACT DRIVER

Item	Parts No.	Description	I/C	Qty	New/Old	Opt. 1	Opt. 2	Note
036B1	682504-0	CORD GUARD 10-85	O	1				
037A_	687063-9	CORD CLAMP		1	*			
037A1	687052-4	STRAIN RELIEF	X	1				
038	265995-6	TAPPING SCREW 4X18		2				
039	643928-5	BRUSH HOLDER CAP		2				
040A_	191940-4	CARBON BRUSH CB-411		1				
A01	824439-1	PLASTIC CARRYING CASE		1				
C10	182935-8	SLIDE LATCH (R.L) SET		1				
E01	645105-5	NOISE SUPPRESSOR		1				
E02	645253-0	NOISE SUPPRESSOR		1				
E03	646049-2	CHOKE COIL		1				
E04	646050-7	CHOKE COIL		1				
E06	654509-0	CONNECTOR 2-SD		2				

Please order the parts with part number.

Print Date 18/6/2019