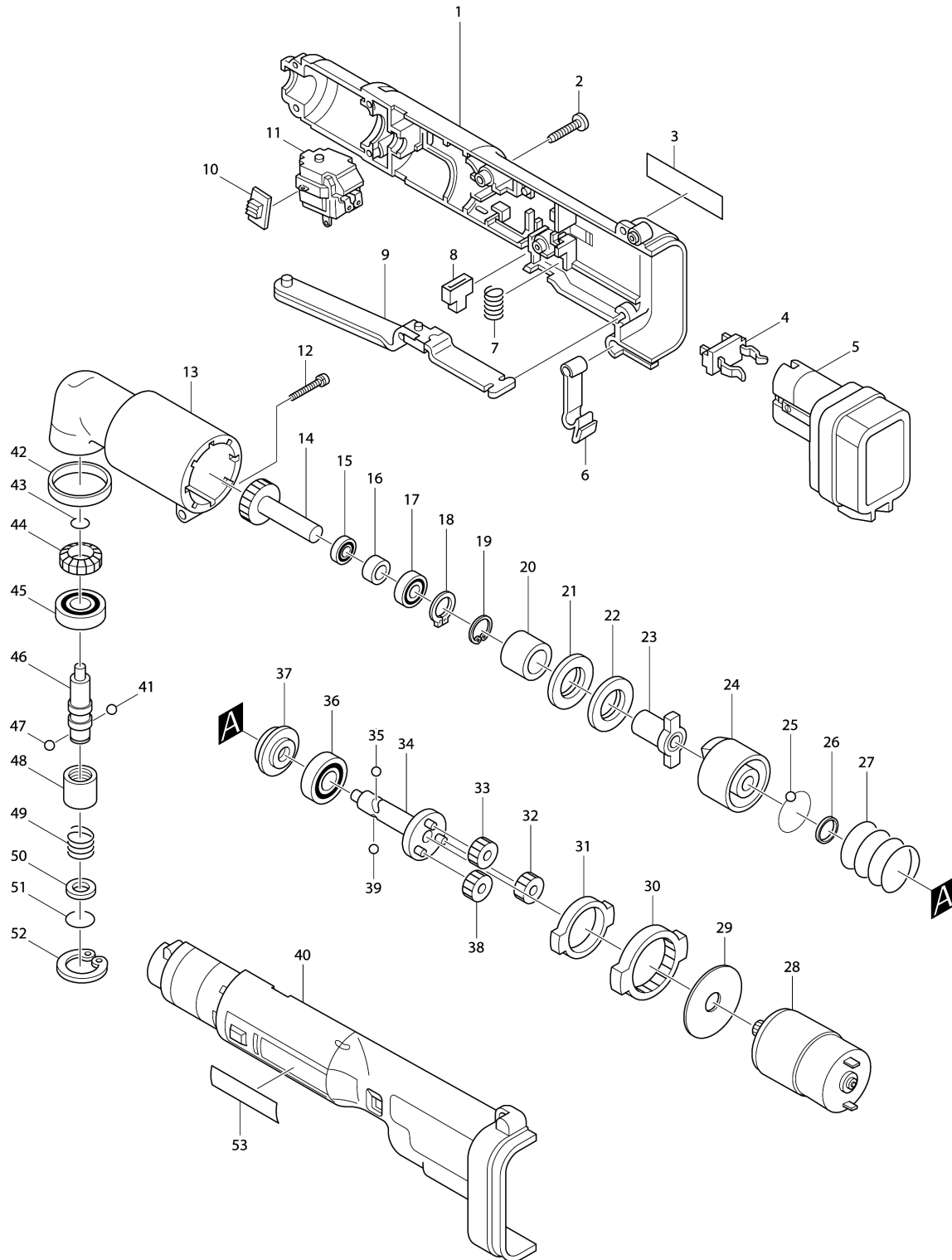


Model No.6940D CORDLESS ANGLE IMPACT DRIVER



Model No.6940D CORDLESS ANGLE IMPACT DRIVER

Item	Parts No.	Description	I/C	Qty	New/Old	Sales	Purch.	Note
001	182710-2	HOUSING SET		1				
C10	816750-5	INDICATION LABEL		1				
D10		INC. 40						
002	265925-7	TAPPING SCREW BT4X20		8				
003	857527-9	NAME PLATE 6940D		1				
004	643918-8	BATTERY HOLDER		1				
005	192019-4	BATTERY 9100 SET		1				
006	344121-1	SET PLATE		1				
007	231470-4	COMPRESSION SPRING 6		1				
008	415500-1	SWITCH LEVER		1	*			
008-1	417160-5	SWITCH LEVER	X	1				
009	158039-8	LEVER COMPLETE		1	*			
009-1	152615-0	LEVER COMPLETE	X	1				
010	414740-8	LEVER		1				
011	651909-5	SWITCH C3KE		1	*			
011-1	650500-6	SWITCH	O	1				
012	265409-5	+ HEX. BOLT M5X30		1				
013	152461-1	ANGLE HEAD COMPLETE		1				
014	226720-0	ZEROL BEVEL GEAR 13		1				
015	211064-1	BALL BEARING 6000		1				
016	257660-1	SLEEVE 10		1				
017	211061-7	BALL BEARING 6000LLB		1				
018	961006-2	RETAINING RING S-10		1				
019	962105-3	RETAINING RING R-26		1				
020	257662-7	SLEEVE 15		1				
021	261095-0	RUBBER WASHER 21		1				
022	267120-5	FLAT WASHER 15		1				
023	322689-7	ANVIL		1				
024	322688-9	HAMMER		1				
025	216001-0	STEEL BALL 3.5		22				
026	267121-3	FLAT WASHER 20		1				
027	233107-9	COMPRESSION SPRING 22		1				
028	629683-3	DC MOTOR 9.6V		1				
C10	226235-7	SPUR GEAR 11		1				
029	267053-4	FLAT WASHER 12		1				
030	226280-2	INTERNAL GEAR 69		1				
031	257187-1	RING 32		1				
032	226279-7	SPUR GEAR 29		1				
033	226279-7	SPUR GEAR 29		1				
034	154416-2	SPINDLE COMPLETE		1				
C10	256216-7	PIN 3		3				
035	216002-8	STEEL BALL 4.8		1				

Please order the parts with part number.

Print Date 18/6/2019

Model No.6940D CORDLESS ANGLE IMPACT DRIVER

Item	Parts No.	Description	I/C	Qty	New/Old	Sales	Purch.	Note
036	211064-1	BALL BEARING 6000		1				
037	322719-4	WASHER 10		1				
038	226279-7	SPUR GEAR 29		1				
039	216002-8	STEEL BALL 4.8		1				
040	182710-2	HOUSING SET		1				
C10	816750-5	INDICATION LABEL		1				
D10		INC. 1						
041	216001-0	STEEL BALL 3.5	S	1				
042	262062-8	RUBBER RING 31		1				
043	231961-5	RING SPRING 9		1	*			
043-1	231990-8	RING SPRING 9	X	1				
044	226721-8	ZEROL BEVEL GEAR 13		1				
045	211131-2	BALL BEARING 6001DDW		1				
046A_	322760-7	SPINDLE		1	*			
046A1	323921-2	SPINDLE	X	1	*			
046A2	323920-4	SPINDLE M	S	1				
047	216001-0	STEEL BALL 3.5	S	1				
048	322718-6	SLEEVE	S	1				
049	233005-7	COMPRESSION SPRING 13	S	1				
050	267085-1	FLAT WASHER 12	S	1				
051A_	231956-8	RING SPRING 6		1	*			
051A1	231951-8	RING SPRING 11	S	1				
052	962116-8	RETAINING RING R-28		1				
053	819063-3	MAKITA LABEL		1				
054	688164-6	LINE FILTER		1				
A01	414938-7	BATTERY COVER		1				
A03	824432-5	PLASTIC CARRYING CASE		1	*			
C10	182935-8	SLIDE LATCH (R.L) SET		1	*			
A03-1	824615-7	PLASTIC CARRYING CASE	X	1	*			
C10	182935-8	SLIDE LATCH (R.L) SET		1	*			
A03-2	824686-4	PLASTIC CARRING CASE	<	1				
C10	182935-8	SLIDE LATCH (R.L) SET		1				
B01A_	***DC9700	DC9700 FAST CHARGER		1	*			
B01A1	***DC9710	DC9710 BATTERY CHARGER	O	1	*			
B01A2	***DC1414	DC1414 BATTERY CHARGER	<	1				

Please order the parts with part number.

Print Date 18/6/2019