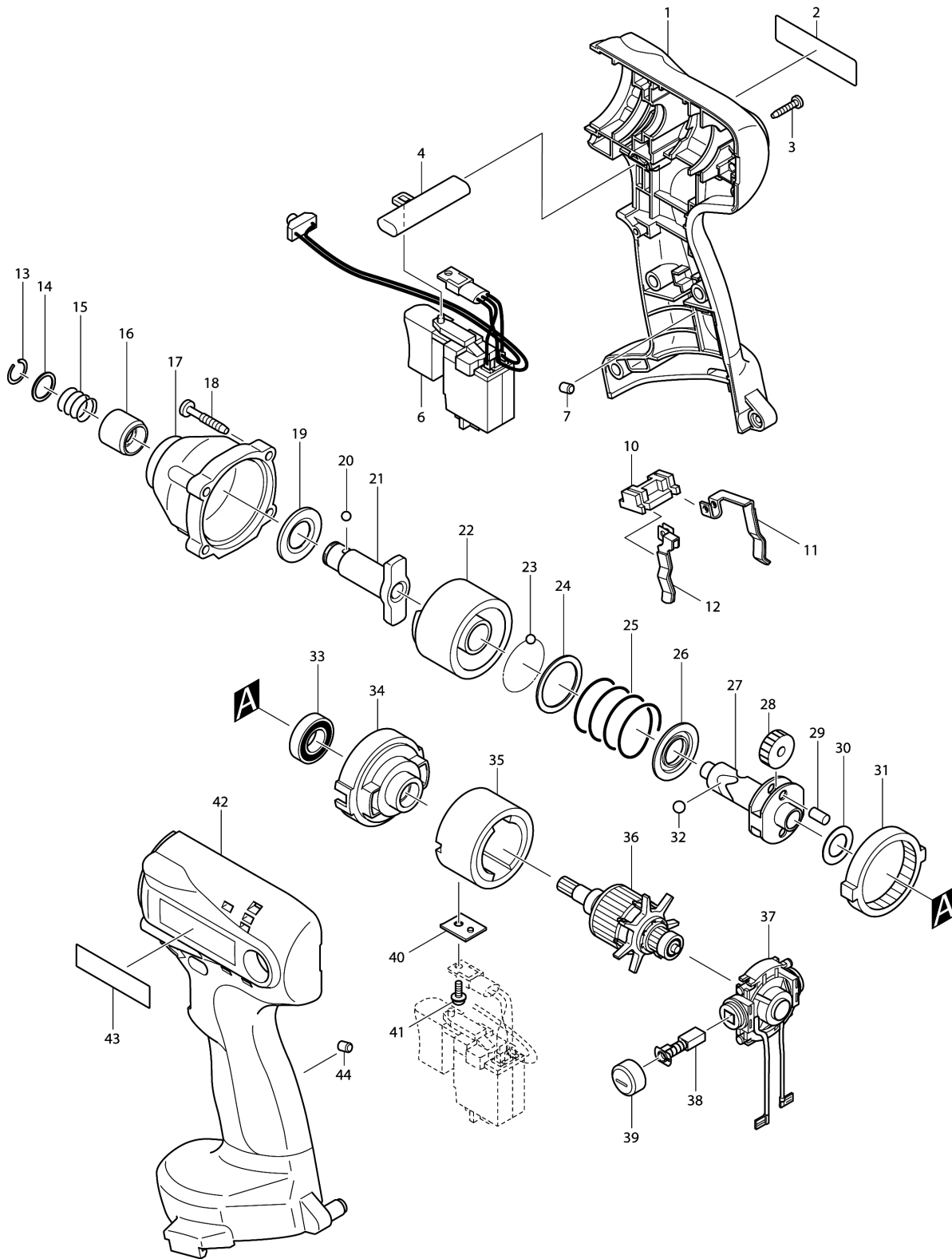


Model No.6932FD CORDLESS IMPACT DRIVER



Model No.6932FD CORDLESS IMPACT DRIVER

Item	Parts No.	Description	I/C	Qty	New/Old	Opt. 1	Opt. 2	Note
001	183682-4	HOUSING SET		1	*			
D10		INC. 7,42-44			*			
001-1	183682-4	HOUSING SET	O	1				
D10		INC.7,42,44						
002	850734-3	NAME PLATE 6932FD		1				
003	266130-9	TAPPING SCREW BIND PT 3X16		8				
004	416079-5	F/R CHANGE LEVER		1				
006	638288-8	SWITCH UNIT		1				
007	263024-9	RUBBER PIN 4		1				
010	687085-9	HOLDER		1				
011	654168-0	SPRING TERMINAL (+)		1				
012	654169-8	SPRING TERMINAL (-)		1				
013	231951-8	RING SPRING 11		1				
014	267085-1	FLAT WASHER 12		1				
015	233005-7	COMPRESSION SPRING 13		1				
016	324420-7	SLEEVE		1				
017	151947-2	HAMMMER CASE COMPLETE		1	*			
017-1	151947-2	HAMMMER CASE COMPLETE	<	1	*			
017-2	153778-5	HAMMER CASE COMPLETE	O	1				
018	265999-8	TAPPING SCREW 4X25		4				
019	261108-7	NYLON WASHER 14		1				
020	216001-0	STEEL BALL 3.5		2	*			
020-1	216040-0	STEEL BALL 3.5	O	2				
021	324013-0	ANVIL M		1				
022	323996-1	HAMMER		1	*			
022-1	324404-5	HAMMER	S	1				
023	216001-0	STEEL BALL 3.5		24	*			
023-1	216040-0	STEEL BALL 3.5	O	24				
024	267175-0	FLAT WASHER 24		1				
025	233381-9	COMPRESSION SPRING 25		1				
026	267766-7	CUP WASHER 14		1				
027	324220-5	SPINDLE		1				
028	226336-1	SPUR GEAR 22		2	*			
028-1	227362-3	SPUR GEAR 22	<	2				
029	256253-1	PIN 5		2				
030	267212-0	FLAT WASHER 12		1				
031	227001-5	INTERNAL GEAR 51		1				
032	216011-7	STEEL BALL 5.6		2	*			
032-1	216041-8	STEEL BALL 5.6	O	2				
033	211140-1	BALL BEARING 6901LLB		1	*			
033-1	211150-8	BALL BEARING 6901ZZ	O	1				
034	417269-3	INTERNAL GEAR CASE		1				

Please order the parts with part number.

Print Date 18/6/2019

Model No.6932FD CORDLESS IMPACT DRIVER

Item	Parts No.	Description	I/C	Qty	New/Old	Opt. 1	Opt. 2	Note
035	632964-6	YOKE UNIT		1				
036	619132-8	ARMATURE		1	*			
036-1	619140-9	ARMATURE	S	1				
037	638156-5	ENDBELL COMPLETE		1				
038	193466-2	CARBON BRUSH CB-434		1				
039	643933-2	BRUSH HOLDER CAP		2				
040	689096-0	FET SPACER		1				
041	266170-7	TAPPING SCREW ST3X8		1				
042	183682-4	HOUSING SET		1	*			
D10		INC. 1,7,43,44			*			
042-1	183682-4	HOUSING SET	O	1				
D10		INC.1,7,44						
043	819063-3	MAKITA LABEL		1	*			
044	263024-9	RUBBER PIN 4		1				
045	232218-7	LEAF SPRING		1				
A01	414938-7	BATTERY COVER		2				
A02	193101-2	NI-MH(2.6A) BATTERY 1434 SET		2				
A03	***DC1414	DC1414 BATTERY CHARGER		1				
A04	824635-1	PLASTIC CARRYING CASE		1				
C10	186347-7	SLIDE LATCH SET		1				
C20	819143-5	MAKITA LABEL		1				

Please order the parts with part number.

Print Date 18/6/2019