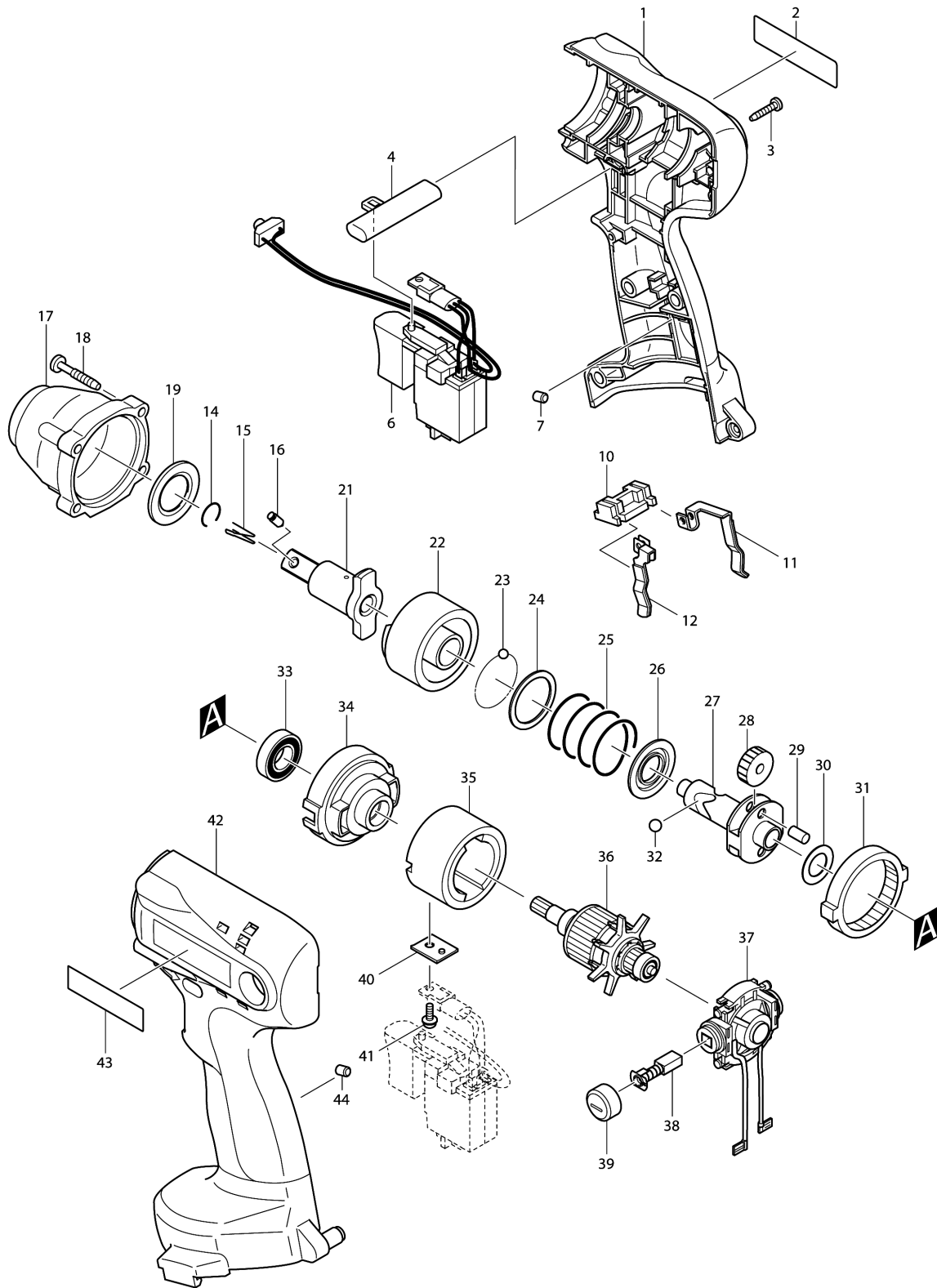


# Model No.6918FD CORDLESS IMPACT WRENCH





## Model No.6918FD CORDLESS IMPACT WRENCH

Item	Parts No.	Description	I/C	Qty	New/Old	Opt. 1	Opt. 2	Note
001	183694-7	HOUSING SET		1	*			
D10		INC. 7,42-44			*			
001-1	183694-7	HOUSING SET	O	1				
D10		INC.7,42,44						
002	850906-0	NAME PLATE 6918FD		1	*			
002-1	861115-6	NAME PLATE 6918FD	X	1				
003	266130-9	TAPPING SCREW BIND PT 3X16		8				
004	416079-5	F/R CHANGE LEVER		1				
006	638288-8	SWITCH UNIT		1				
007	263024-9	RUBBER PIN 4		1				
010	687085-9	HOLDER		1				
011	654168-0	SPRING TERMINAL (+)		1	*			
011-1	654168-0	SPRING TERMINAL (+)	<	1				
012	654169-8	SPRING TERMINAL (-)		1	*			
012-1	654169-8	SPRING TERMINAL (-)	<	1				
014	231907-1	RING SPRING 10		1				
017	151946-4	HAMMER CASE COMPLETE		1	*			
017-1	153873-1	HAMMER CASE COMPLETE	O	1				
018	265999-8	TAPPING SCREW 4X25		4				
019	261116-8	NYLON WASHER 18		1				
021	323892-3	ANVIL		1				
022	323997-9	HAMMER		1				
023	216001-0	STEEL BALL 3.5		24	*			
023-1	216040-0	STEEL BALL 3.5	O	24				
024	267175-0	FLAT WASHER 24		1				
025	233274-0	COMPRESSION SPRING 25		1				
026	267766-7	CUP WASHER 14		1				
027	324220-5	SPINDLE		1				
028	226336-1	SPUR GEAR 22		2	*			
028-1	227362-3	SPUR GEAR 22	<	2				
029	256253-1	PIN 5		2				
030	267212-0	FLAT WASHER 12		1				
031	227001-5	INTERNAL GEAR 51		1				
032	216011-7	STEEL BALL 5.6		2	*			
032-1	216041-8	STEEL BALL 5.6	O	2				
033	211140-1	BALL BEARING 6901LLB		1	*			
033-1	211150-8	BALL BEARING 6901ZZ	O	1				
034	417269-3	INTERNAL GEAR CASE		1				
035	632965-4	YOKE UNIT		1				
036	619057-6	ARMATURE		1				
037	638156-5	ENDBELL COMPLETE		1				
038	193466-2	CARBON BRUSH CB-434		1				

Please order the parts with part number.

Print Date 18/6/2019

## Model No.6918FD CORDLESS IMPACT WRENCH

Item	Parts No.	Description	I/C	Qty	New/Old	Opt. 1	Opt. 2	Note
039	643933-2	BRUSH HOLDER CAP		2				
040	689096-0	FET SPACER		1				
041	266170-7	TAPPING SCREW ST3X8		1				
042	183694-7	HOUSING SET		1	*			
D10		INC. 1,7,43,44			*			
042-1	183694-7	HOUSING SET	O	1				
D10		INC.1,7,44						
043	819063-3	MAKITA LABEL		1	*			
044	263024-9	RUBBER PIN 4		1				
A01	***DC1414	DC1414 BATTERY CHARGER		1				
A02A	192597-4	BATTERY 1222 SET		2				
A02B	193100-4	NI-MH(2.6A) BATTERY 1234 SET		2				
A02C	192597-4	BATTERY 1222 SET		1				
A02D	193100-4	NI-MH(2.6A) BATTERY 1234 SET		1				
A02E	193059-5	NI-MH(3.0A) BATTERY 1235 SET		2				
A03A	414938-7	BATTERY COVER		2				
A03B	414938-7	BATTERY COVER		2				
A03C	414938-7	BATTERY COVER		1				
A03D	414938-7	BATTERY COVER		1				
A03E	414938-7	BATTERY COVER		2				
A04	824635-1	PLASTIC CARRYING CASE		1				
C10	186347-7	SLIDE LATCH SET		1				
C20	819143-5	MAKITA LABEL		1				
A05	134831-6	SOCKET 19-38 ASS'Y		1				
C10	213398-8	O RING 24		1				
C20	268057-9	PIN 4		1				

Please order the parts with part number.

Print Date 18/6/2019