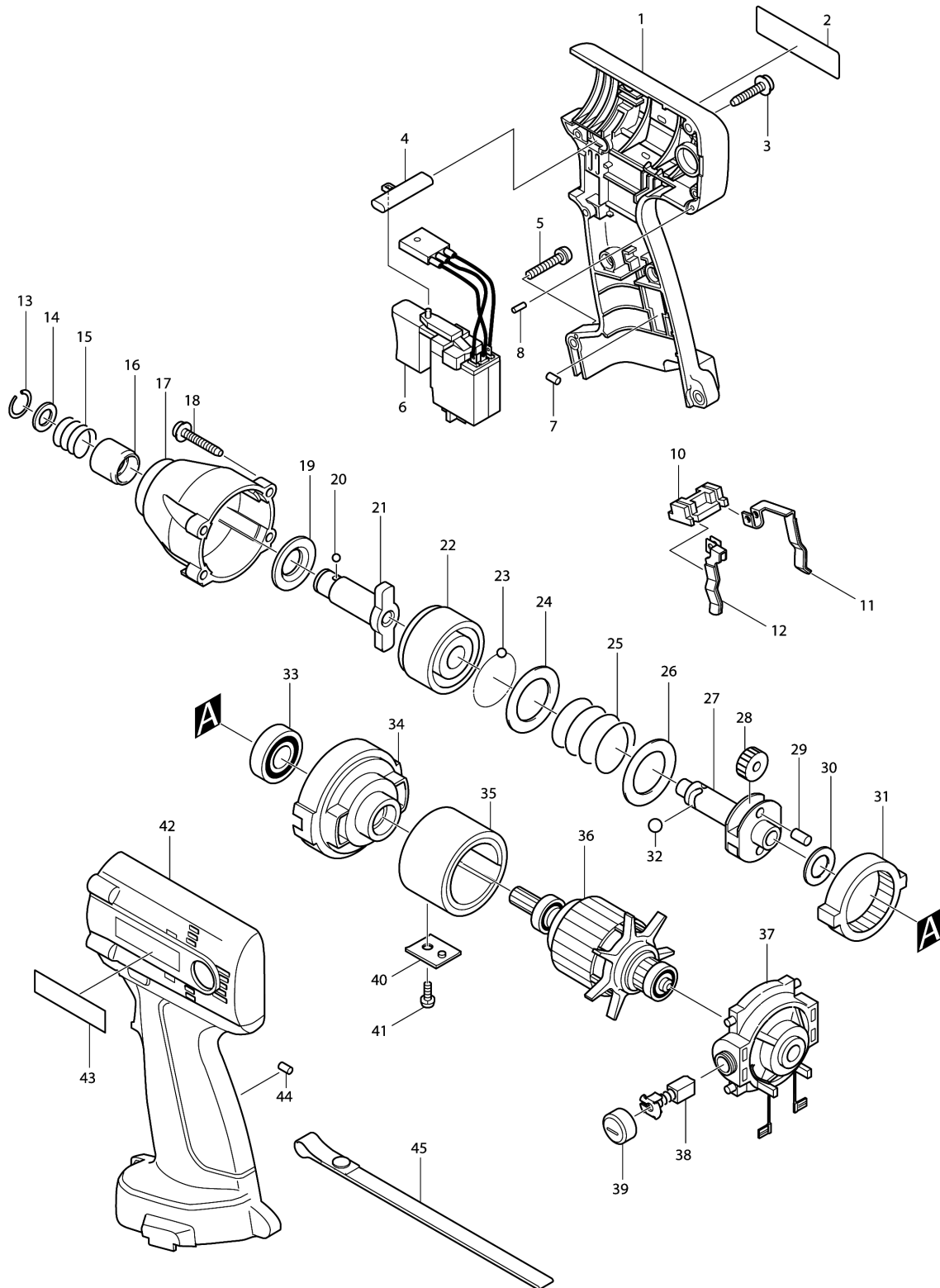


# Model No.6916D CORDLESS IMPACT DRIVER





## Model No.6916D CORDLESS IMPACT DRIVER

Item	Parts No.	Description	I/C	Qty	New/Old	Opt. 1	Opt. 2	Note
001	183237-5	HOUSING SET		1				
D10		INC. 7,42,44						
002	852302-8	NAME PLATE 6916D		1				
003	265995-6	TAPPING SCREW 4X18		6				
004	416079-5	F/R CHANGE LEVER		1				
005	911143-2	PAN HEAD SCREW M4X22		1				
006	651989-1	SWITCH		1	*			
006-1	651989-1	SWITCH	O	1				
007	263024-9	RUBBER PIN 4		1				
008	256176-3	PIN 2.5		1				
010	687085-9	HOLDER		1				
011	654168-0	SPRING TERMINAL (+)		1	*			
011-1	654168-0	SPRING TERMINAL (+)	<	1				
012	654169-8	SPRING TERMINAL (-)		1	*			
012-1	654169-8	SPRING TERMINAL (-)	<	1				
013	231951-8	RING SPRING 11		1				
014	267085-1	FLAT WASHER 12		1				
015	233005-7	COMPRESSION SPRING 13		1				
016	322434-0	SLEEVE		1	*			
016-1	324420-7	SLEEVE	O	1				
017	151947-2	HAMMMER CASE COMPLETE		1	*			
017-1	151947-2	HAMMMER CASE COMPLETE	<	1	*			
017-2	153778-5	HAMMER CASE COMPLETE	O	1				
018	265999-8	TAPPING SCREW 4X25		4				
019	261108-7	NYLON WASHER 14		1				
020	216001-0	STEEL BALL 3.5		2				
021A_	324013-0	ANVIL M		1				
022	323996-1	HAMMER		1				
023	216001-0	STEEL BALL 3.5		25	*			
023-1	216001-0	STEEL BALL 3.5	O	24				
024	267175-0	FLAT WASHER 24		1				
025	233276-6	COMPRESSION SPRING 25		1				
026	267175-0	FLAT WASHER 24		1	*			
026-1	267766-7	CUP WASHER 14	S	1				
027	323994-5	SPINDLE		1	*			
027-1	324220-5	SPINDLE	S	1				
028	226336-1	SPUR GEAR 22		2	*			
028-1	227362-3	SPUR GEAR 22	<	2				
029	256253-1	PIN 5		2				
030	267212-0	FLAT WASHER 12		1				
031	227001-5	INTERNAL GEAR 51		1				
032	216011-7	STEEL BALL 5.6		2				

Please order the parts with part number.

Print Date 18/6/2019

## Model No.6916D CORDLESS IMPACT DRIVER

Item	Parts No.	Description	I/C	Qty	New/Old	Opt. 1	Opt. 2	Note
033	211140-1	BALL BEARING 6901LLB		1				
034	417269-3	INTERNAL GEAR CASE		1				
035	632964-6	YOKE UNIT		1				
036	619057-6	ARMATURE		1				
037	632969-6	ENDBELL COMPLETE		1	*			
C10	654069-2	RECEPTACLE		2	*			
037-1	638103-6	ENDBELL COMPLETE	<	1				
C10	654069-2	RECEPTACLE		2				
C20	263025-7	RUBBER PIN 4		4				
038	191975-5	CARBON BRUSH CB-431		1	*			
038-1	193466-2	CARBON BRUSH CB-434	O	1				
039	643933-2	BRUSH HOLDER CAP		2				
040	689096-0	FET SPACER		1				
041	266170-7	TAPPING SCREW ST3X8		1				
042	183237-5	HOUSING SET		1				
D10		INC. 1,7,44						
043	819063-3	MAKITA LABEL		1				
044	263024-9	RUBBER PIN 4		1				
A01	414938-7	BATTERY COVER		1				
A02A_B	193100-4	NI-MH(2.6A) BATTERY 1234 SET		1				
A02A_C	193100-4	NI-MH(2.6A) BATTERY 1234 SET		1				
A02C_A	192597-4	BATTERY 1222 SET		1				
A02C_D	192597-4	BATTERY 1222 SET		1				
A03	824489-6	PLASTIC CARRYING CASE		1	*			
C10	186347-7	SLIDE LATCH SET		1	*			
A03-1	824635-1	PLASTIC CARRYING CASE	X	1				
C10	186347-7	SLIDE LATCH SET		1				
C20	819143-5	MAKITA LABEL		1				
E01A	414938-7	BATTERY COVER		1				
E01C	414938-7	BATTERY COVER		1				
E03A	192597-4	BATTERY 1222 SET		1				
E05C	193100-4	NI-MH(2.6A) BATTERY 1234 SET		1				

Please order the parts with part number.

Print Date 18/6/2019