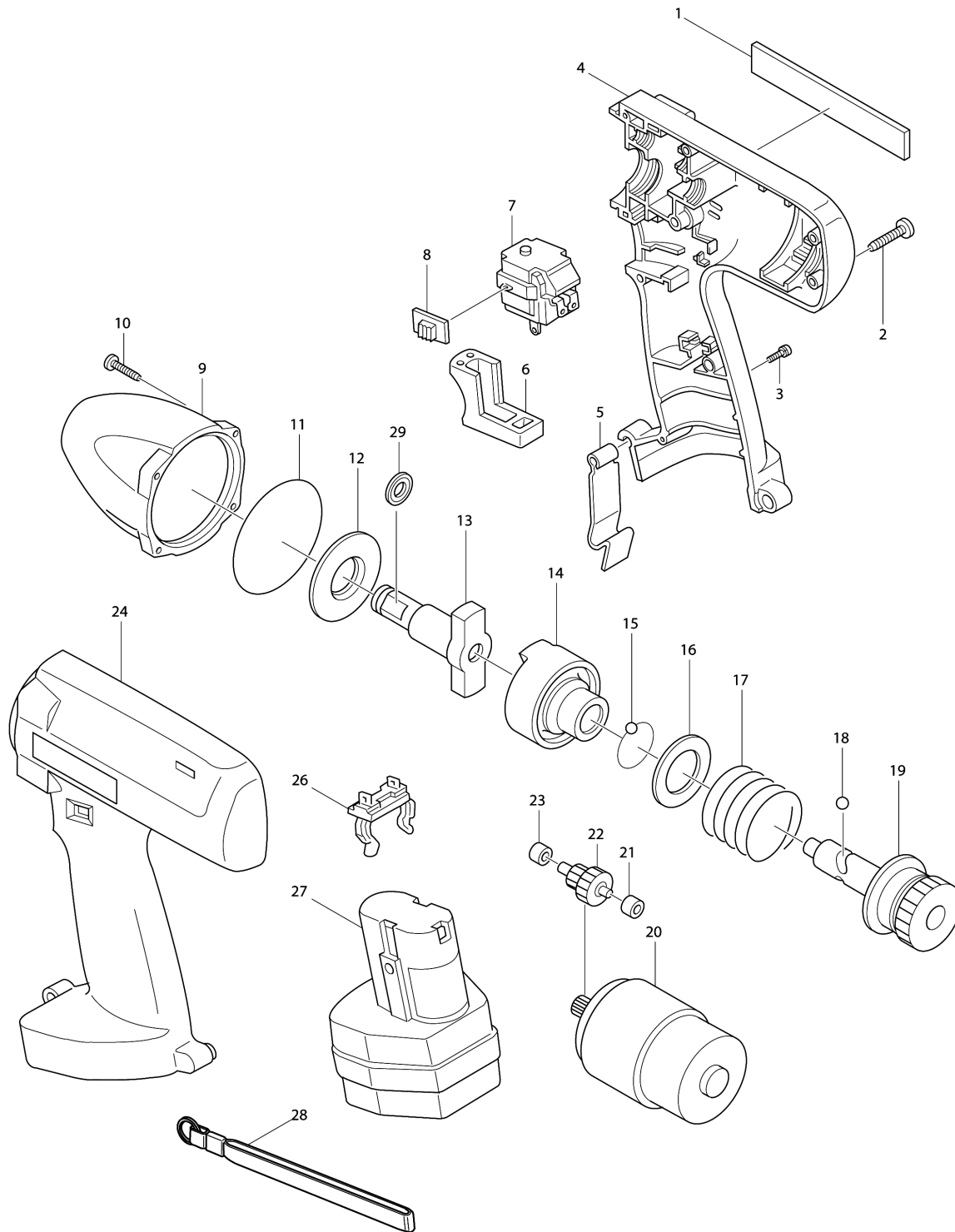


# Model No.6911HD CORDLESS IMPACT WRENCH





## Model No.6911HD CORDLESS IMPACT WRENCH

| Item  | Parts No. | Description           | I/C | Qty | New/Old | Opt. 1 | Opt. 2 | Note |
|-------|-----------|-----------------------|-----|-----|---------|--------|--------|------|
| 001   | 857182-7  | NAME PLATE 6911HD     |     | 1   |         |        |        |      |
| 002   | 265925-7  | TAPPING SCREW BT4X20  |     | 6   |         |        |        |      |
| 003   | 911138-5  | PAN HEAD SCREW M4X20  |     | 1   |         |        |        |      |
| 004   | 182532-0  | HOUSING SET           |     | 1   |         |        |        |      |
| D10   |           | INC. 24               |     |     |         |        |        |      |
| 005   | 343579-1  | SET PLATE             |     | 1   |         |        |        |      |
| 006   | 414708-4  | SWITCH LEVER          |     | 1   | *       |        |        |      |
| 006-1 | 415671-4  | SWITCH LEVER          | O   | 1   |         |        |        |      |
| 007   | 651909-5  | SWITCH C3KE           |     | 1   | *       |        |        |      |
| 007-1 | 651967-1  | SWITCH                | X   | 1   |         |        |        |      |
| 008   | 414740-8  | LEVER                 |     | 1   |         |        |        |      |
| 009   | 152411-6  | HAMMER CASE COMPLETE  |     | 1   |         |        |        |      |
| 010   | 265925-7  | TAPPING SCREW BT4X20  |     | 4   |         |        |        |      |
| 011   | 213604-1  | O RING 50             |     | 1   |         |        |        |      |
| 012   | 267054-2  | FLAT WASHER 18        |     | 1   |         |        |        |      |
| 013   | 322592-2  | ANVIL                 |     | 1   |         |        |        |      |
| 014   | 322527-3  | HAMMER                |     | 1   |         |        |        |      |
| 015   | 216001-0  | STEEL BALL 3.5        |     | 29  |         |        |        |      |
| 016   | 267088-5  | FLAT WASHER 28        |     | 1   |         |        |        |      |
| 017   | 233045-5  | COMPRESSION SPRING 30 |     | 1   |         |        |        |      |
| 018   | 216011-7  | STEEL BALL 5.6        |     | 2   |         |        |        |      |
| 019   | 153216-7  | SPINDLE COMPLETE      |     | 1   |         |        |        |      |
| 020   | 629638-8  | DC MOTOR 12V          |     | 1   |         |        |        |      |
| C10   | 226404-0  | HELICAL GEAR 15       |     | 1   |         |        |        |      |
| 021   | 214027-6  | PLANE BEARING 4       |     | 1   |         |        |        |      |
| 022   | 226115-7  | GEAR COMPLETE 10-38   |     | 1   |         |        |        |      |
| 023   | 214027-6  | PLANE BEARING 4       |     | 1   |         |        |        |      |
| 024   | 182532-0  | HOUSING SET           |     | 1   |         |        |        |      |
| D10   |           | INC. 4                |     |     |         |        |        |      |
| 026   | 643918-8  | BATTERY HOLDER        |     | 1   |         |        |        |      |
| 027-2 | 192536-4  | BATTERY 1202 SET      |     | 1   |         |        |        |      |
| 029   | 231907-1  | RING SPRING 10        |     | 1   |         |        |        |      |
| A01   | 213405-7  | O RING 26             |     | 1   | *       |        |        |      |
| A01-1 | 213398-8  | O RING 24             | X   | 1   |         |        |        |      |
| A02   | 256036-9  | PIN 4                 |     | 1   | *       |        |        |      |
| A02-1 | 256279-3  | PIN 3                 | X   | 1   | *       |        |        |      |
| A02-2 | 268057-9  | PIN 4                 | O   | 1   |         |        |        |      |
| A03   | 133213-9  | SOCKET 19-40 ASS'Y    |     | 1   | *       |        |        |      |
| D10   |           | INC. A01,A02          |     |     | *       |        |        |      |
| A03-1 | 134831-6  | SOCKET 19-38 ASS'Y    | O   | 1   |         |        |        |      |
| D10   |           | INC. A01,A02          |     |     |         |        |        |      |
| A04-1 | 824399-7  | PLASTIC CARRYING CASE |     | 1   | *       |        |        |      |

Please order the parts with part number.

Print Date 18/6/2019

### Model No.6911HD CORDLESS IMPACT WRENCH

| Item  | Parts No. | Description           | I/C | Qty | New/Old | Opt. 1 | Opt. 2 | Note |
|-------|-----------|-----------------------|-----|-----|---------|--------|--------|------|
| C10   | 182935-8  | SLIDE LATCH (R.L) SET |     | 1   | *       |        |        |      |
| A04-2 | 824620-4  | PLASTIC CARRYING CASE | X   | 1   | *       |        |        |      |
| C10   | 182935-8  | SLIDE LATCH (R.L) SET |     | 1   | *       |        |        |      |
| A04-3 | 824549-4  | PLASTIC CARRYING CASE | <   | 1   |         |        |        |      |
| C10   | 186347-7  | SLIDE LATCH SET       |     | 1   |         |        |        |      |
| A05   | 414938-7  | BATTERY COVER         |     | 1   |         |        |        |      |

Please order the parts with part number.

Print Date 18/6/2019