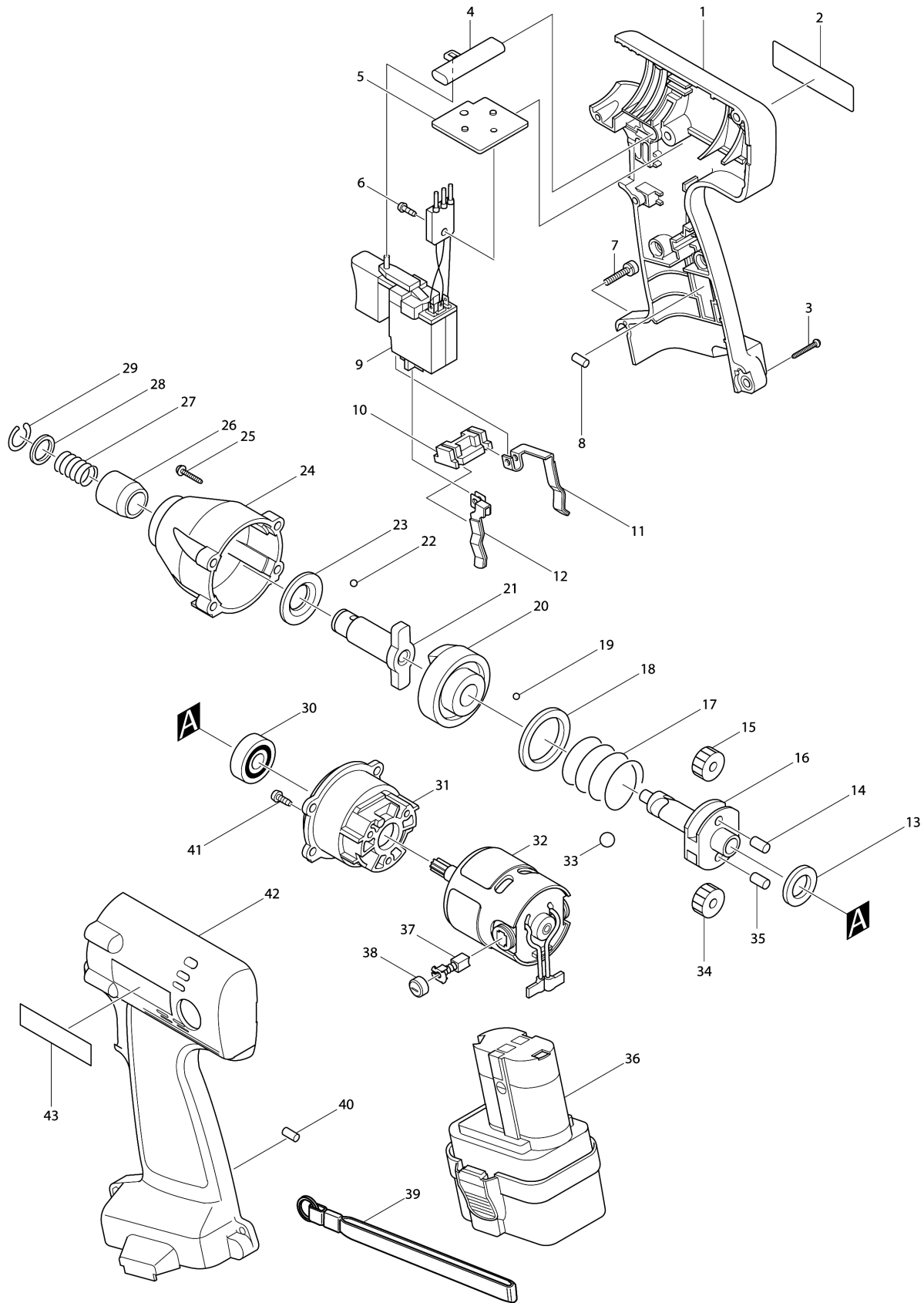


Model No.6908D CORDLESS IMPACT DRIVER



Model No.6908D CORDLESS IMPACT DRIVER

Item	Parts No.	Description	I/C	Qty	New/Old	Opt. 1	Opt. 2	Note
001	182919-6	HOUSING SET		1				
D10		INC. 42,43						
002	858715-1	NAME PLATE 6908D		1				
003	265995-6	TAPPING SCREW 4X18		7				
004	416079-5	F/R CHANGE LEVER		1				
005	689070-8	HEAT SINK		1				
006	911006-2	PAN HEAD SCREW M3X8		1				
007	911143-2	PAN HEAD SCREW M4X22		1				
008-1	263024-9	RUBBER PIN 4		1				
009	651939-6	SWITCH C3LA-1A		1	*			
009-1	651939-6	SWITCH C3LA-1A	O	1	*			
009-2	650540-4	SWITCH C3LA-1A	<	1				
010	687085-9	HOLDER		1				
011	654168-0	SPRING TERMINAL (+)		1	*			
011-1	654168-0	SPRING TERMINAL (+)	<	1				
012	654169-8	SPRING TERMINAL (-)		1	*			
012-1	654169-8	SPRING TERMINAL (-)	<	1				
013	253744-3	FLAT WASHER 12		1				
014	256253-1	PIN 5		1				
015	226336-1	SPUR GEAR 22		1	*			
015-1	227362-3	SPUR GEAR 22	<	1				
016	322958-6	SPINDLE		1				
017	233193-0	COMPRESSION SPRING 24		1				
018	267148-3	FLAT WASHER 23		1				
019	216008-6	STEEL BALL 4		21				
020	322957-8	HAMMER		1				
021A_	322754-2	ANVIL		1	*			
021A1	324267-9	ANVIL M	<	1				
022	216001-0	STEEL BALL 3.5		2				
023	261108-7	NYLON WASHER 14		1				
024	152555-2	HAMMER CASE COMPLETE		1				
025	265999-8	TAPPING SCREW 4X25		4				
026	322434-0	SLEEVE		1	*			
026-1	324420-7	SLEEVE	O	1				
027	233005-7	COMPRESSION SPRING 13		1				
028	267085-1	FLAT WASHER 12		1				
029	231951-8	RING SPRING 11		1				
030	211101-1	BALL BEARING 6001LLB		1				
031	416313-3	INTERNAL GEAR CASE		1				
032	629710-6	DC MOTOR		1	*			
C10	226337-9	SPUR GEAR 7		1	*			
C20	654069-2	RECEPTACLE		2	*			

Please order the parts with part number.

Print Date 18/6/2019

Model No.6908D CORDLESS IMPACT DRIVER

Item	Parts No.	Description	I/C	Qty	New/Old	Opt. 1	Opt. 2	Note
D10		INC. 37,38			*			
032-1	629762-7	DC MOTOR	<	1				
C10	226337-9	SPUR GEAR 7		1				
D10		INC. 37,38						
033	216011-7	STEEL BALL 5.6		2				
034	226336-1	SPUR GEAR 22		1	*			
034-1	227362-3	SPUR GEAR 22	<	1				
035	256253-1	PIN 5		1				
036A_A	192595-8	BATTERY 9122 SET		1				
036C_C	193099-3	NI-MH(2.6A) BATTERY 9134 SET		1				
037	191966-6	CARBON BRUSH CB-424		1				
038	643933-2	BRUSH HOLDER CAP		2				
040-1	263024-9	RUBBER PIN 4		1				
041	266166-8	TAPPING SCREW CT 3X8		3				
042	182919-6	HOUSING SET		1				
D10		INC. 1,43						
043	819063-3	MAKITA LABEL		1				
A01	343579-1	SET PLATE		1	*			
A02	414938-7	BATTERY COVER		1				
A03	824489-6	PLASTIC CARRYING CASE		1	*			
C10	186347-7	SLIDE LATCH SET		1	*			
A03-1	824635-1	PLASTIC CARRYING CASE	X	1				
C10	186347-7	SLIDE LATCH SET		1				
C20	819143-5	MAKITA LABEL		1				

Please order the parts with part number.

Print Date 18/6/2019