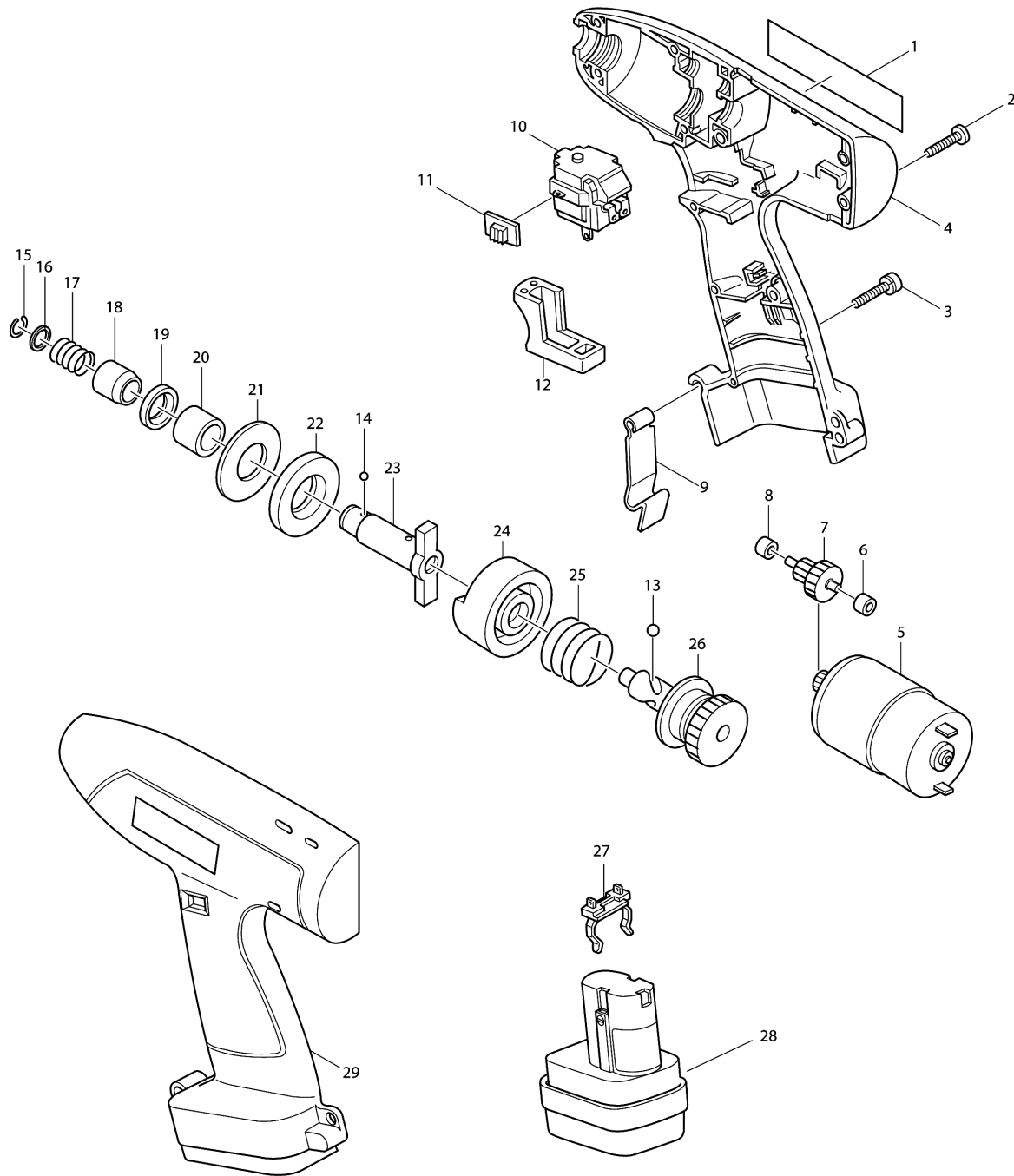


Model No.6903VD CORDLESS IMPACT DRIVER



Model No.6903VD CORDLESS IMPACT DRIVER

Item	Parts No.	Description	I/C	Qty	New/Old	Opt. 1	Opt. 2	Note
001	856746-4	NAME PLATE 6903VD		1				
002	265925-7	TAPPING SCREW BT4X20		9	*			
002-1	265925-7	TAPPING SCREW BT4X20	O	10				
003	911138-5	PAN HEAD SCREW M4X20		1	*			
003-1	911143-2	PAN HEAD SCREW M4X22	O	1				
004	182423-5	HOUSING SET		1	*			
D10		INC. 29			*			
004-1	182640-7	HOUSING SET	O	1	*			
D10		INC. 29			*			
004-2	182804-3	HOUSING SET	X	1	*			
D10		INC. 29			*			
004-3	183168-8	HOUSING SET	X	1				
C11	263024-9	RUBBER PIN 4		2				
C20	819063-3	MAKITA LABEL		1				
D10		INC. 29						
005	629577-2	DC MOTOR 9.6V		1				
C10	221882-9	SPUR GEAR 15		1				
006	214027-6	PLANE BEARING 4		1				
007	226105-0	GEAR COMPLETE 11-37		1				
008	214027-6	PLANE BEARING 4		1				
009	343579-1	SET PLATE		1				
010	651909-5	SWITCH C3KE		1	*			
010-1	650500-6	SWITCH	O	1				
011	414740-8	LEVER		1				
012	414708-4	SWITCH LEVER		1	*			
012-1	415671-4	SWITCH LEVER	O	1				
013	216011-7	STEEL BALL 5.6		2				
014	216001-0	STEEL BALL 3.5		2				
015	231951-8	RING SPRING 11		1				
016	267085-1	FLAT WASHER 12		1				
017	233005-7	COMPRESSION SPRING 13		1				
018	322434-0	SLEEVE		1	*			
018-1	324420-7	SLEEVE	O	1				
019	213151-2	OIL SEAL 14		1				
020	257629-5	SLEEVE 14		1				
021	261075-6	RUBBER WASHER 20		1				
022	267062-3	FLAT WASHER 14		1	*			
022-1	261099-2	NYLON WASHER 14	O	1				
023A_	322458-6	ANVIL M		1				
024	322259-2	HAMMER		1				
025	231463-1	COMPRESSION SPRING 24		1				
026	153205-2	SPINDLE COMPLETE		1				

Please order the parts with part number.

Print Date 18/6/2019

Model No.6903VD CORDLESS IMPACT DRIVER

Item	Parts No.	Description	I/C	Qty	New/Old	Opt. 1	Opt. 2	Note
027-1	643918-8	BATTERY HOLDER		1				
028	192019-4	BATTERY 9100 SET		1				
029	182423-5	HOUSING SET		1	*			
D10		INC. 4			*			
029-1	182640-7	HOUSING SET	O	1	*			
D10		INC. 4			*			
029-2	182804-3	HOUSING SET	X	1	*			
D10		INC. 4			*			
029-3	183168-8	HOUSING SET	X	1				
C11	263024-9	RUBBER PIN 4		2				
C20	819063-3	MAKITA LABEL		1				
D10		INC. 4						
A01	322279-6	BIT PIECE		1				
A02	784203-1	PHILLIPS BIT 2-65		1	*			
A02-1	784203-1	PHILLIPS BIT 2-65	O	1	*			
A02-2	784203-1	PHILLIPS BIT 2-65	O	1				
A03	784209-9	PHILLIPS BIT 3-65		1				
A04-1B	824364-6	PLASTIC CARRYING CASE		1				
C10	182935-8	SLIDE LATCH (R.L) SET		1				
A05	414938-7	BATTERY COVER		1				
B01A_B	***DC9700	DC9700 FAST CHARGER		1	*			
B01A1B	***DC9710	DC9710 BATTERY CHARGER	O	1	*			
B01A2B	***DC1414	DC1414 BATTERY CHARGER	<	1				

Please order the parts with part number.

Print Date 18/6/2019