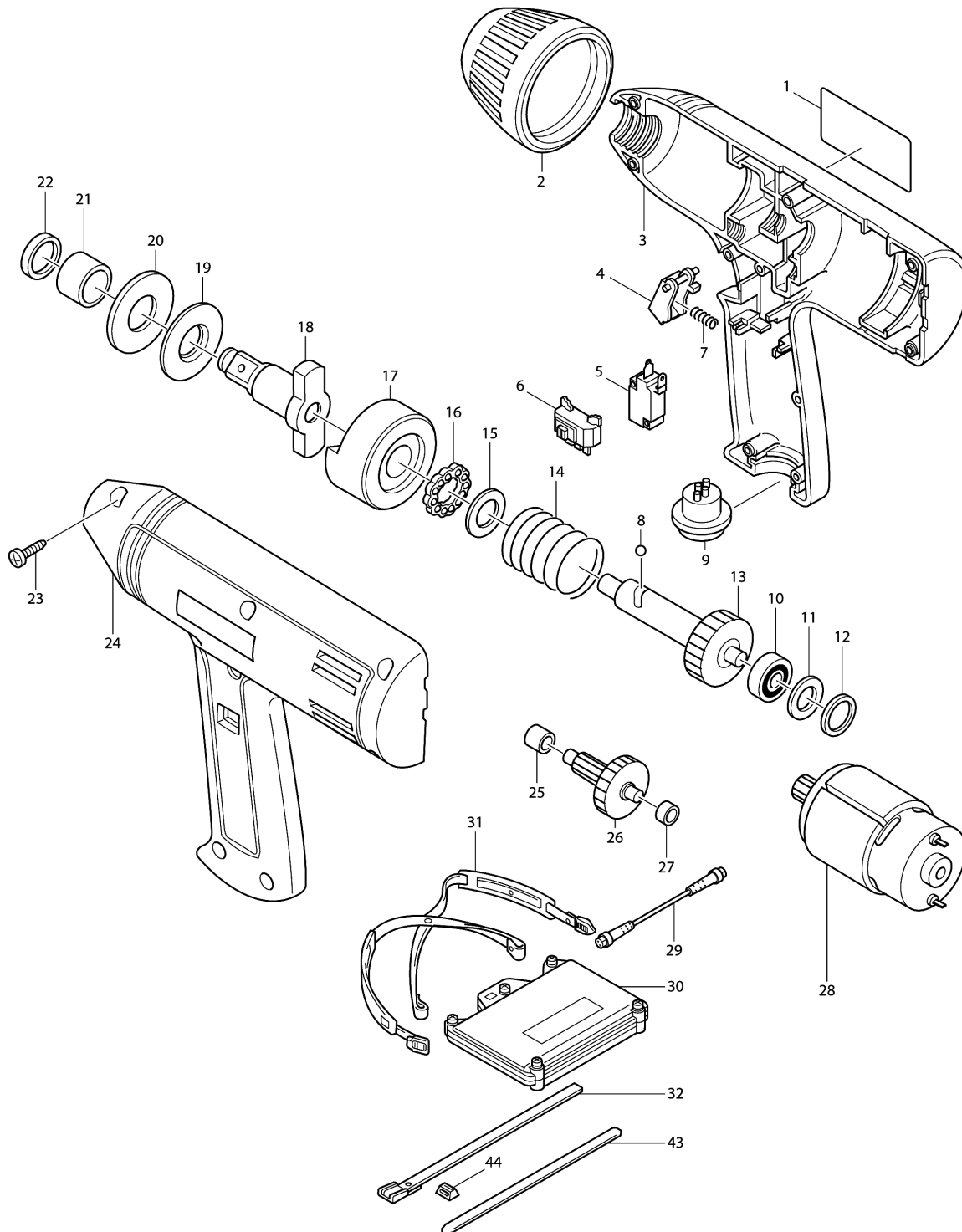


Model No.6902D CORDLESS IMPACT WRENCH



Model No.6902D CORDLESS IMPACT WRENCH

Item	Parts No.	Description	I/C	Qty	New/Old	Opt. 1	Opt. 2	Note
001	856342-8	NAME PLATE 6902D		1				
002	421355-4	BUMPER		1				
003	182219-4	HOUSING SET		1				
D10		INC. 24						
004	414357-7	SWITCH LEVER		1				
005	651891-8	SWITCH V-15-3A6		1				
006	651898-4	SWITCH C3BC-SH		1				
007	231476-2	COMPRESSION SPRING 3		1				
008	216011-7	STEEL BALL 5.6		2				
009	655408-9	INLET		1				
010	210007-0	BALL BEARING 608VV		1				
011	253707-9	FLAT WASHER 16		1				
012	213261-5	O RING 17		1				
013	153185-2	SPINDLE COMPLETE		1				
014	231472-0	COMPRESSION SPRING 20		1				
015	216203-8	WASHER 1528		1				
016	211229-5	THRUST BALL BEARING 1528		1				
017	322253-4	HAMMER		1				
018	322275-4	ANVIL		1	*			
018-1	324255-6	ANVIL	<	1				
019	267054-2	FLAT WASHER 18		1				
020	261079-8	RUBBER WASHER 18		1				
021	257623-7	SLEEVE 18		1				
022	213257-6	OIL SEAL 18		1				
023	265925-7	TAPPING SCREW BT4X20		8				
024	182219-4	HOUSING SET		1				
D10		INC. 3						
025	214012-9	PLANE BEARING 6		1				
026	226089-2	GEAR COMPLETE 13-38		1				
027	214017-9	PLANE BEARING 5		1				
028	629591-8	DC MOTOR 14.4V		1				
C10	221975-2	SPUR GEAR 11		1				
029-1	661974-6	COUPLING CORD		1				
030E1	192348-5	BATTERY 1402 SET		1	*			
C10	652590-5	OVER CURRENT RELAY		1	*			
D10		INC.29,31,32,43,44			*			
030E2	192344-3	BATTERY 1402 SET	<	1				
C10	652590-5	OVER CURRENT RELAY		1				
D10		INC.29,31,32,43,44						
031-1	163318-1	SHOULDER STRAP		1				
032-1	163315-7	WAIST BELT		1				
043	444015-1	ADJUST BELT		1				

Please order the parts with part number.

Print Date 18/6/2019

Model No.6902D CORDLESS IMPACT WRENCH

Item	Parts No.	Description	I/C	Qty	New/Old	Opt. 1	Opt. 2	Note
044	414755-5	SQUARE RING		1				
A01-2	182388-1	STEEL CARRYING CASE		1	*			
C10	819033-2	MAKITA LABEL		1	*			
A01-3	182388-1	STEEL CARRYING CASE	O	1				
C10	819143-5	MAKITA LABEL		1				
E01	231907-1	RING SPRING 10		1				
E02	322045-1	CLIP		1				
E03	323675-1	PIN 4		1				
E05	911133-5	PAN HEAD SCREW M4X18		2				

Please order the parts with part number.

Print Date 18/6/2019