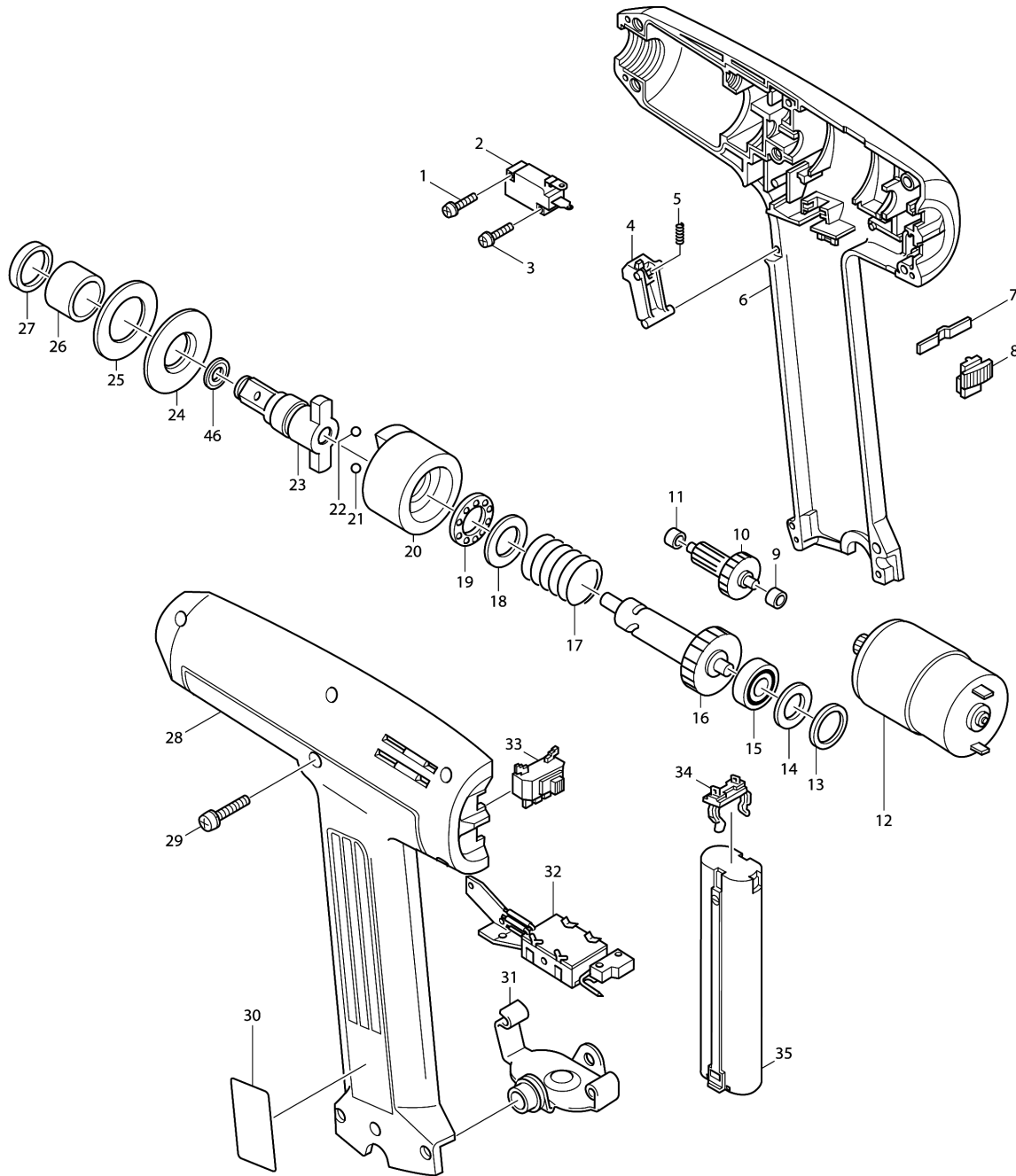


Model No.6900D CORDLESS IMPACT WRENCH



Model No.6900D CORDLESS IMPACT WRENCH

Item	Parts No.	Description	I/C	Qty	New/Old	Opt. 1	Opt. 2	Note
001	911021-6	PAN HEAD SCREW M3X14		1				
002	651891-8	SWITCH V-15-3A6		1				
003	911021-6	PAN HEAD SCREW M3X14		1				
004	414148-6	TRIGGER		1				
005	231453-4	COMPRESSION SPRING 2		1				
006	182043-5	HOUSING SET		1				
C10	263002-9	RUBBER PIN 4		3				
D10		INC 28						
007	232099-9	LEAF SPRING		1				
008	414149-4	LEVER		1				
009	214019-5	PLANE BEARING 4		1				
010	226081-8	GEAR COMPLETE 11-43		1				
011	214019-5	PLANE BEARING 4		1				
012	629577-2	DC MOTOR 9.6V		1				
C10	221882-9	SPUR GEAR 15		1				
013	213261-5	O RING 17		1				
014	253707-9	FLAT WASHER 16		1				
015	211028-5	BALL BEARING 627LB		1				
016	153182-8	SPINDLE COMPLETE		1				
017	231454-2	COMPRESSION SPRING 19		1				
018	216203-8	WASHER 1528		1				
019	211276-6	THRUST BALL BEARING 1627		1				
020	322193-6	HAMMER		1				
021	216011-7	STEEL BALL 5.6		1				
022	216011-7	STEEL BALL 5.6		1				
023	322202-1	ANVIL		1				
024	267054-2	FLAT WASHER 18		1				
025	261073-0	RUBBER WASHER 24		1				
026	257623-7	SLEEVE 18		1				
027	213257-6	OIL SEAL 18		1				
028	182043-5	HOUSING SET		1				
C10	263002-9	RUBBER PIN 4		3				
D10		INC 6						
029	911143-2	PAN HEAD SCREW M4X22		8				
030	856088-6	NAME PLATE 6900D		1				
031	163157-9	SET PLATE		1	*			
031-1	342833-0	SET PLATE	O	1				
032	631105-1	CONTROL CIRCUIT		1				
033	531054-1	SWITCH ASS'Y C3BC		1				
034-1	643918-8	BATTERY HOLDER		1				
035-1	191681-2	BATTERY 9000 SET		1				
046	231907-1	RING SPRING 10		1				

Please order the parts with part number.

Print Date 18/6/2019

Model No.6900D CORDLESS IMPACT WRENCH

Item	Parts No.	Description	I/C	Qty	New/Old	Opt. 1	Opt. 2	Note
400-1	134831-6	SOCKET 19-38 ASS'Y		1				
	D10	INC. 401-2,402-1						
401-2	268057-9	PIN 4	O	1				
402	213405-7	O RING 26		1	*			
402-1	213398-8	O RING 24	X	1				
404	216001-0	STEEL BALL 3.5		1				
405	232050-9	LEAF SPRING		1				
406	414938-7	BATTERY COVER		1				

Please order the parts with part number.

Print Date 18/6/2019