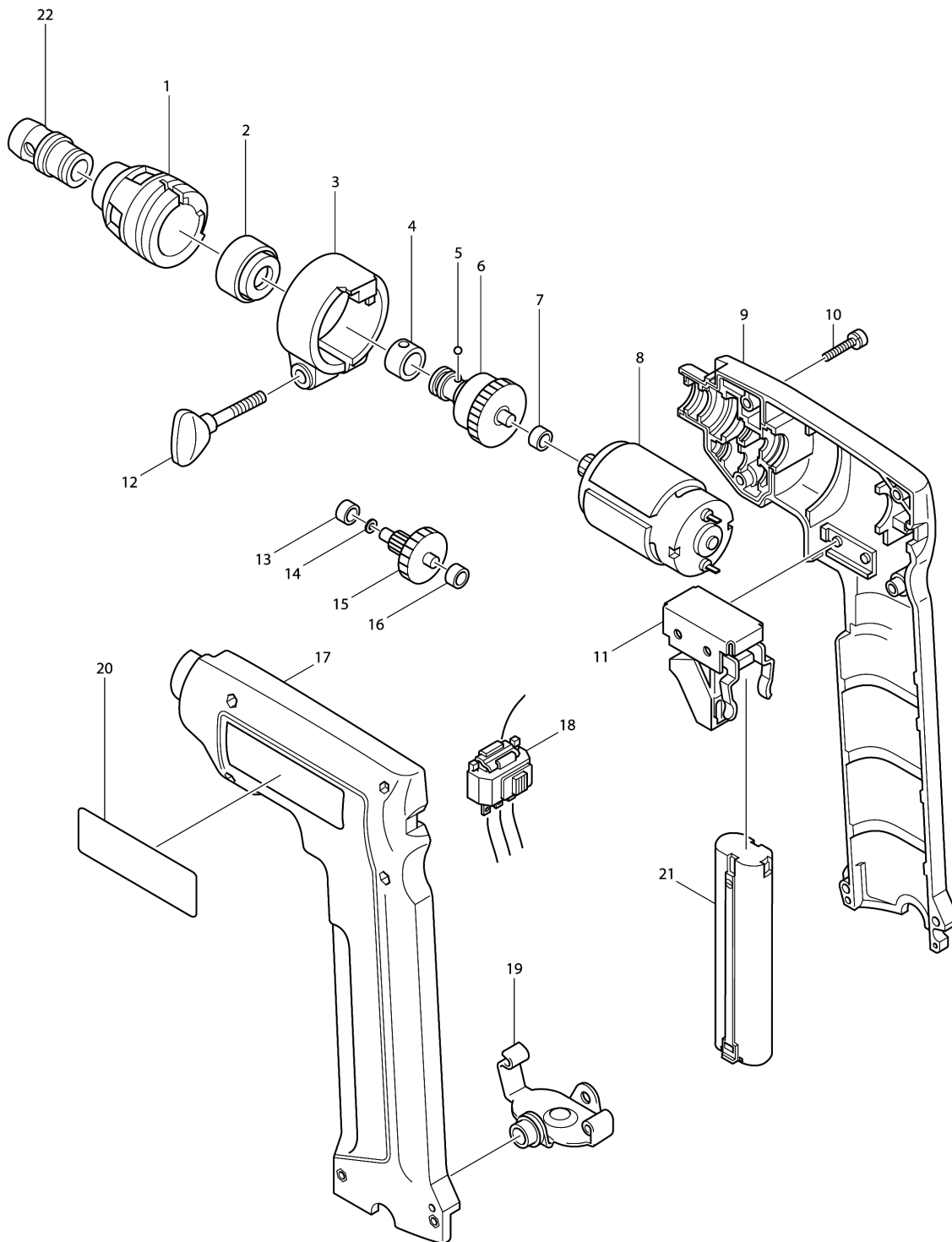


Model No.6891D CORDLESS DRYWALL SCREWDRIVER



Model No.6891D CORDLESS DRYWALL SCREWDRIVER

Item	Parts No.	Description	I/C	Qty	New/Old	Opt. 1	Opt. 2	Note
001	410908-4	LOCATOR		1	*			
001-1	415149-7	LOCATOR	X	1				
002	421314-8	DUST RING		1				
003	410907-6	LOCK RING		1				
004	232050-9	LEAF SPRING		1				
005	216001-0	STEEL BALL 3.5		1				
006	153169-0	GEAR COMPLETE		1				
007	214017-9	PLANE BEARING 5		1				
008-1	629581-1	DC MOTOR 9.6V		1	*			
C10	221882-9	SPUR GEAR 15		1	*			
008-2	629196-4	DC MOTOR 9.6V	O	1				
C10	221882-9	SPUR GEAR 15		1				
009-1	182138-4	HOUSING SET		1				
D10		INC. 17						
010	911143-2	PAN HEAD SCREW M4X22		6				
011-2	651354-4	SWITCH C3BF-AJ		1				
012	251880-9	SCREW M5X33		1				
013	214017-9	PLANE BEARING 5		1				
014	253811-4	FLAT WASHER 5		1				
015	226075-3	GEAR COMPLETE 15-52		1				
016	214017-9	PLANE BEARING 5		1				
017-1	182138-4	HOUSING SET		1				
D10		INC. 9						
018-1	531057-5	SWITCH ASS'Y C3BC-01		1				
019	163157-9	SET PLATE		1	*			
019-1	342833-0	SET PLATE	O	1				
020	855795-8	NAME PLATE 6891D		1				
021-1B	191681-2	BATTERY 9000 SET		1				
022	152407-7	STOPPER COMPLETE		1				
400	784211-2	PHILLIPS INSERT BIT 2-25		1	*			
400-1	784261-7	+BIT 2-25	O	1				
401	784807-9	MAGNETIC CONNECT BIT 6.35-60		1	*			
401-1	784811-8	MAGNETIC CONNECT BIT 6.35-60	O	1				
402-2B	824431-7	PLASTIC CARRYING CASE		1	*			
C10	182935-8	SLIDE LATCH (R.L) SET		1	*			
402-3B	824616-5	PLASTIC CARRYING CASE	X	1				
C10	182935-8	SLIDE LATCH (R.L) SET		1				
403B	414938-7	BATTERY COVER		1				
500A_B	***DC9700	DC9700 FAST CHARGER		1	*			
500A1B	***DC9710	DC9710 BATTERY CHARGER	O	1	*			
500A2B	***DC1414	DC1414 BATTERY CHARGER	<	1				

Please order the parts with part number.

Print Date 18/6/2019

