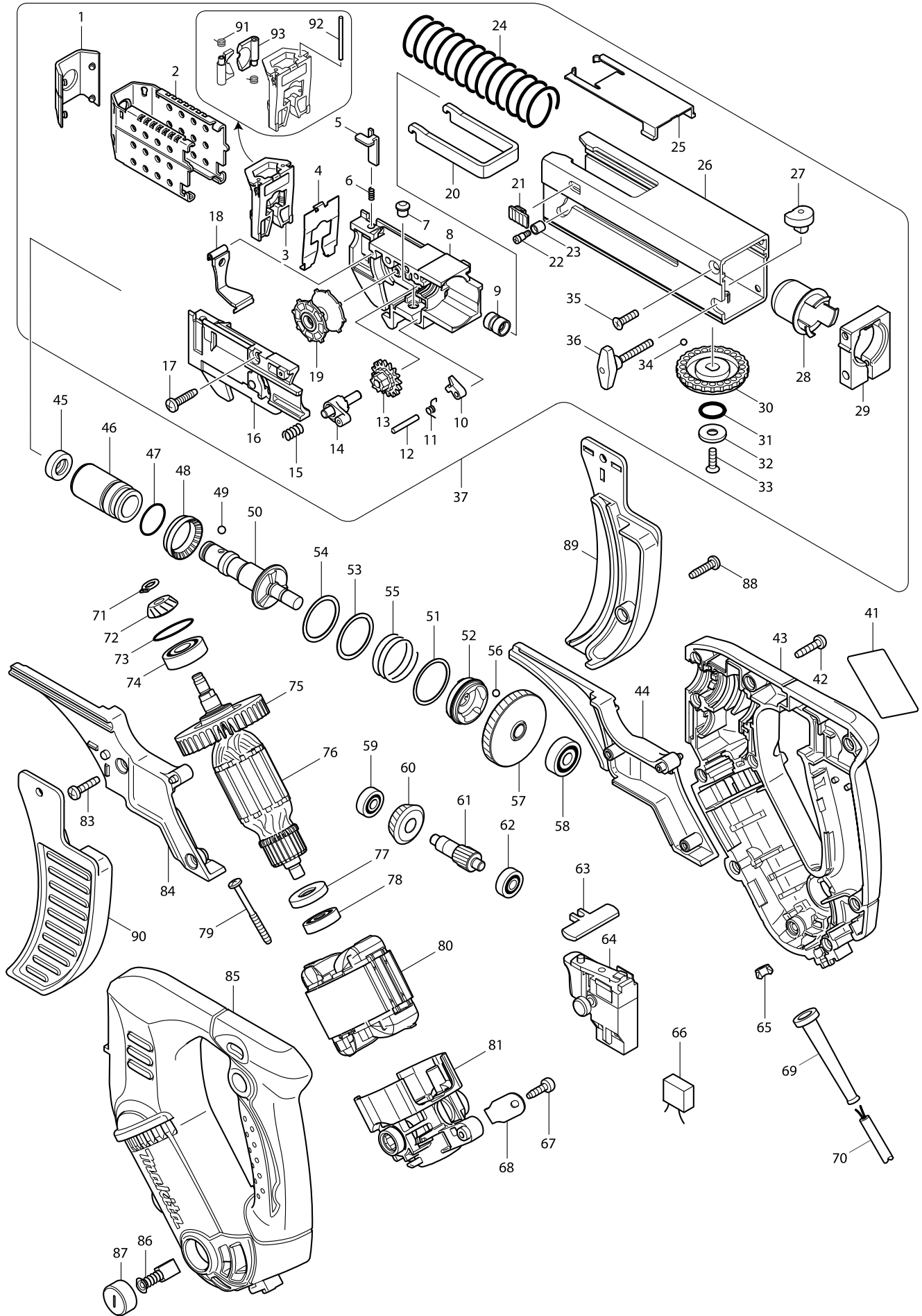


Model No. 6843 AUTO FEED SCREWDRIVER



Model No. 6843 AUTO FEED SCREWDRIVER

Item	Parts No.	Description	I/C	Qty	N/O	Opt. 1	Opt. 2	Note
001	424043-2	CAP		1				
002	345839-7	STOPPER BASE 55		1				
003A	158376-0	GUIDE BOX COMPLETE		1	*			
D10		INC. 91,92,93			*			
003-1A	158776-4	GUIDE BOX COMPLETE	O	1	*			
D10		INC. 91,92,93			*			
003-2A	140493-0	GUIDE BOX COMPLETE	S	1				
D10		INC. 4,91,92,93						
003-2B	140493-0	GUIDE BOX COMPLETE		1				
D10		INC. 4,91,92,93						
003-2C	140493-0	GUIDE BOX COMPLETE		1				
D10		INC. 4,91,92,93						
003-2D	140493-0	GUIDE BOX COMPLETE		1				
D10		INC. 4,91,92,93						
004A	345840-2	GUARD		1	*			
004-1A	346269-5	GUARD	S	1				
004-1B	346269-5	GUARD		1				
004-1C	346269-5	GUARD		1				
004-1D	346269-5	GUARD		1				
005	345837-1	LEVER		2				
006	233211-4	COMPRESSION SPRING 2		2				
007	256451-7	PIN 6		1				
008	450107-6	FEEDER BOX		1				
009	257685-5	SLEEVE 5		1				
010	310062-3	STOPPER		1				
011	231636-6	TORSION SPRING 4		1				
012	256158-5	PIN 3		1				
013	226344-2	SPUR GEAR 16		1				
014	158374-4	RATCHET ARM COMPLETE		1				
015	233212-2	COMPRESSION SPRING 6		1				
016	158375-2	BOXCOVER COMPLETE		1				
017	265995-6	TAPPING SCREW 4X18		1				
018	162201-9	DUST COVER		1				
019	416518-5	WHEEL		1				
020	345838-9	PLATE		1				
021	450111-5	STOPPER		2				
022	265177-0	+SHOULDER FLAT HEAD SCREW M3X		1				
023	257764-9	SLEEVE 4		1				
024	234031-9	COMPRESSION SPRING 23		1				
025	450114-9	CASING COVER		1				
026	158377-8	CASING 55 COMPLETE		1				
C10	816885-2	INDICATION LABEL		1				
027	310237-4	SHIFTER PIN		1				
028	450110-7	INSULATION SLEEVE		1				
029	318181-9	CLAMPER		1				
030	417056-0	DIAL 42		1				
031	213107-5	O RING 12		1				
032	267201-5	FLAT WASHER 6		1				

Model No. 6843 AUTO FEED SCREWDRIVER

Item	Parts No.	Description	I/C	Qty	N/O	Opt. 1	Opt. 2	Note
033	912117-6	COUNTERSUNK HEAD SCREW M4X12		1				
034	216001-0	STEEL BALL 3.5		1				
035	912117-6	COUNTERSUNK HEAD SCREW M4X12		3				
036A	265778-4	THUMB SCREW M4X28		1	*			
036-1A	265779-2	THUMB SCREW M4X28	<	1				
036-1B	265779-2	THUMB SCREW M4X28		1				
036-1C	265779-2	THUMB SCREW M4X28		1				
036-1D	265779-2	THUMB SCREW M4X28		1				
037A	194440-3	CASING 55 SET		1	*			
D10		INC. 1-36			*			
037-1A	194544-1	CASING 55 SET	<	1	*			
D10		INC. 1-36			*			
037-2A	194636-6	CASING 55 SET	O	1	*			
D10		INC. 1-36			*			
037-3A	195184-8	CASING 55 SET	<	1				
D10		INC. 1-36						
037-3B	195184-8	CASING 55 SET		1				
D10		INC. 1-36						
037-3C	195184-8	CASING 55 SET		1				
D10		INC. 1-36						
037-3D	195184-8	CASING 55 SET		1				
D10		INC. 1-36						
041	863782-3	6843 NAME PLATE		1				
042	266045-0	TAPPING SCREW 4X20		10				
043	188345-7	HOUSING SET		1				
C10	812552-7	INDICATION LABEL		1				
D10		INC. 85						
044	188303-3	SCREW GUIDE SET		1				
D10		INC. 84						
045	421467-3	DUST COVER		1				
046	214173-5	PLANE BEARING 14		1				
047	213262-3	O RING 18		1				
048	421927-5	SLEEVE 20		1				
049	216001-0	STEEL BALL 3.5		1				
050	324808-1	SPINDLE B		1				
051	267332-0	FLAT WASHER 26		1				
052	223169-5	CLUTCH CAM C		1				
053	267331-2	FLAT WASHER 25		1				
054	267331-2	FLAT WASHER 25		1				
055	234017-3	COMPRESSEION SPRING 25		1				
056	216008-6	STEEL BALL 4		3				
057	226659-7	HELICAL GEAR 53		1				
058A	210029-0	BALL BEARING 608ZZ		1	*			
058-1A	211034-0	BALL BEARING 608	<	1				
058-1B	211034-0	BALL BEARING 608		1				
058-1C	211034-0	BALL BEARING 608		1				
058-1D	211034-0	BALL BEARING 608		1				
059A	210028-2	BALL BEARING 606ZZ		1	*			

Model No. 6843 AUTO FEED SCREWDRIVER

Item	Parts No.	Description	I/C	Qty	N/O	Opt. 1	Opt. 2	Note
059-1A	211014-6	BALL BEARING 606	<	1				
059-1B	211014-6	BALL BEARING 606		1				
059-1C	211014-6	BALL BEARING 606		1				
059-1D	211014-6	BALL BEARING 606		1				
060	227528-5	SPIRAL BEVEL GEAR 22		1				
061	226669-4	HELICAL GEAR 16		1				
062A	210028-2	BALL BEARING 606ZZ		1	*			
062-1A	211014-6	BALL BEARING 606	<	1				
062-1B	211014-6	BALL BEARING 606		1				
062-1C	211014-6	BALL BEARING 606		1				
062-1D	211014-6	BALL BEARING 606		1				
063	419304-3	F/R CHANGE LEVER		1				
064	650590-9	SWITCH SGEL206CR-1		1				
065	252045-6	SQUARE NUT M5		1				
066	645253-0	NOISE SUPPRESSOR		1				
067	266192-7	TAPPING SCREW 4X14		1				
068	687169-3	STRAIN RELIEF		1				
069	682559-5	CORD GUARD 8		1				
070	695034-2	POWER SUPPLY CORD 1.0-2-4.0		1				
071	961002-0	RETAINING RING S-6		1				
072	227527-7	SPIRAL BEVEL GEAR 15		1				
073	213380-7	O RING 24		1				
074	211061-7	BALL BEARING 6000LLB		1				
075	241869-5	FAN 55		1				
076	515713-5	ARMATURE ASS'Y 220-240V		1				
D10		INC. 74,75,77,78						
077	681652-2	INSULATION WASHER		1				
078	211021-9	BALL BEARING 607LLB		1				
079	266069-6	TAPPING SCREW 4X45		2				
080	639372-2	FIELD 220-240V		1				
081	158380-9	ENDBELL COMPLETE		1				
083	265995-6	TAPPING SCREW 4X18		2				
084	188303-3	SCREW GUIDE SET		1				
D10		INC. 44						
085	188345-7	HOUSING SET		1				
C10	812552-7	INDICATION LABEL		1				
D10		INC. 43						
086	191940-4	CARBON BRUSH CB-411		1				
087	643928-5	BRUSH HOLDER CAP		2				
088A	265995-6	TAPPING SCREW 4X18		1	*			
088-1A	265995-6	TAPPING SCREW 4X18	S	2				
088-1B	265995-6	TAPPING SCREW 4X18		2				
088-1C	265995-6	TAPPING SCREW 4X18		2				
088-1D	265995-6	TAPPING SCREW 4X18		2				
089A	188310-6	GUIDE ATTACHMENT SET		1	*			
D10		INC. 90			*			
089-1A	188310-6	GUIDE ATTACHMENT SET	S	1				
D10		INC. 90						

Model No. 6843 AUTO FEED SCREWDRIVER

Item	Parts No.	Description	I/C	Qty	N/O	Opt. 1	Opt. 2	Note
089-1B	188310-6	GUIDE ATTACHMENT SET		1				
D10		INC. 90						
089-1C	188310-6	GUIDE ATTACHMENT SET		1				
D10		INC. 90						
089-1D	188310-6	GUIDE ATTACHMENT SET		1				
D10		INC. 90						
090A	188310-6	GUIDE ATTACHMENT SET		1	*			
D10		INC. 89			*			
090-1A	188310-6	GUIDE ATTACHMENT SET	S	1				
D10		INC. 89						
090-1B	188310-6	GUIDE ATTACHMENT SET		1				
D10		INC. 89						
090-1C	188310-6	GUIDE ATTACHMENT SET		1				
D10		INC. 89						
090-1D	188310-6	GUIDE ATTACHMENT SET		1				
D10		INC. 89						
091A	233516-2	TORSION SPRING 4		2	*			
091-1A	233567-5	TORSION SPRING 4	S	2				
091-1B	233567-5	TORSION SPRING 4		2				
091-1C	233567-5	TORSION SPRING 4		2				
091-1D	233567-5	TORSION SPRING 4		2				
092	268188-4	PIN 2		2				
093A	310236-6	GUIDE		2	*			
093-1A	310282-9	GUIDE	O	2				
093-1B	310282-9	GUIDE		2				
093-1C	310282-9	GUIDE		2				
093-1D	310282-9	GUIDE		2				
094A	125809-0	FEEDER BOX ASS'Y		1				
D10		INC. 1-3,5-19,22,23						
094B	125809-0	FEEDER BOX ASS'Y		1				
D10		INC. 1-3,5-19,22,23						
094C	125809-0	FEEDER BOX ASS'Y		1				
D10		INC. 1-3,5-19,22,23						
094D	125809-0	FEEDER BOX ASS'Y		1				
D10		INC. 1-3,5-19,22,23						
A01	265734-4	SCREW M5X13		1				
A02	345831-3	HOOK		1				
A03A	784252-8	+BIT 2-157		3	*			
A03B	784655-6	+BIT 2-160		3				
A03D	784655-6	+BIT 2-160		3				
A04A	824808-6	PLASTIC CARRYING CASE		1				
C10	163455-1	LATCH		2				
C20	419360-3	HANDLE		1				
A04B	824808-6	PLASTIC CARRYING CASE		1				
C10	163455-1	LATCH		2				
C20	419360-3	HANDLE		1				
A04C	142715-4	CONNECTOR P.CASE(TYPE1) COMP.		1				
C10	453974-8	LATCH		4				

