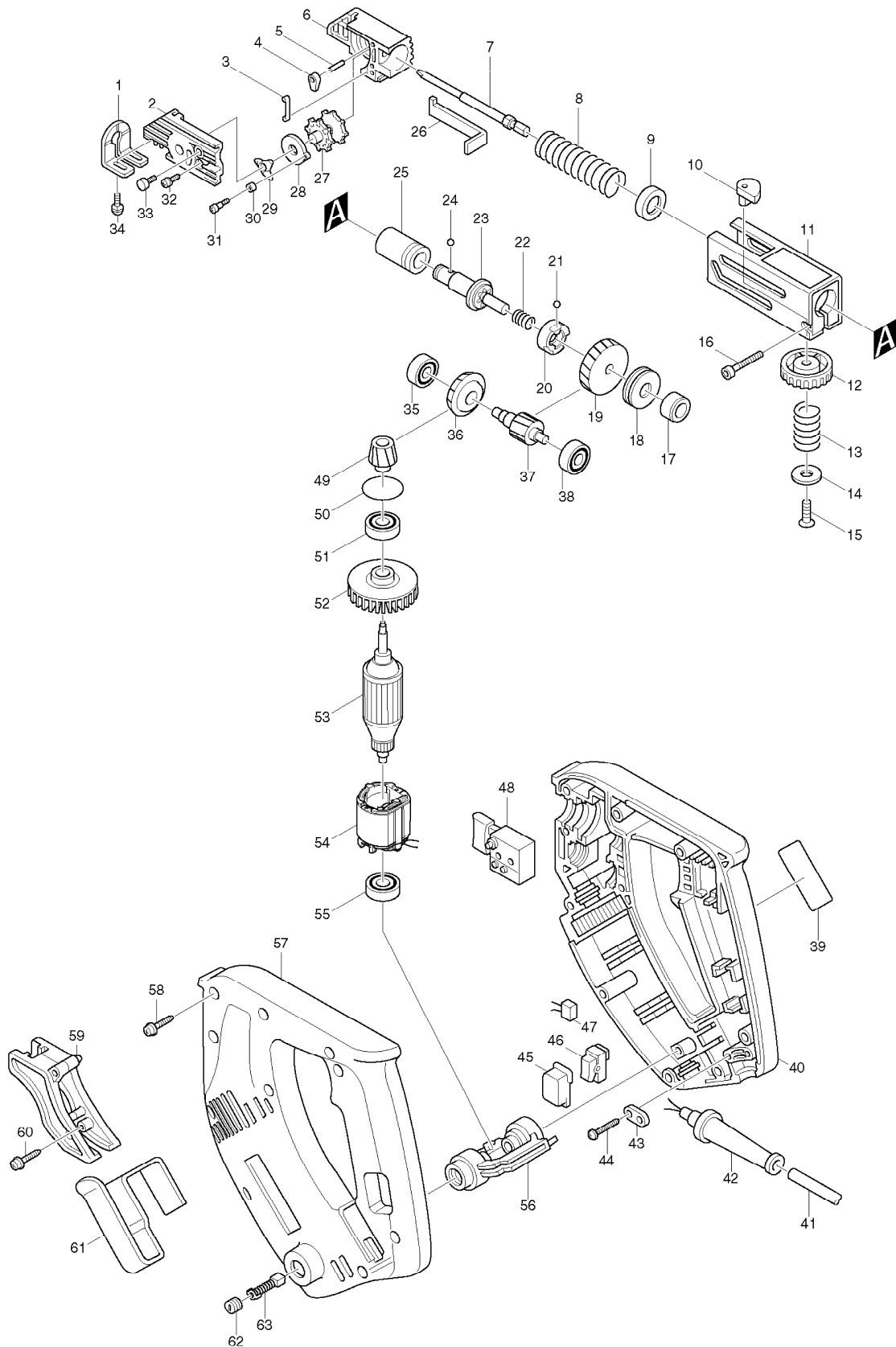


SERVICE DRAWING

MODEL NO. 6830



SPARE PARTS LIST

MODEL NO. 6830

| ITEM | PART NO. | DESCRIPTION | QTY | NOTE |
|------|----------|------------------------------|-----|-------|
| 001 | 344054-0 | STOPPER PLATE | 1 | |
| 002 | 152502-3 | BOX COVER COMPLETE | 1 | |
| 003 | 232132-7 | LEAF SPRING | 1 | |
| 004 | 311923-0 | STOPPER | 1 | |
| 005 | 256254-9 | PIN 3 | 1 | |
| 006 | ***** | ***** | *** | ***** |
| 007 | 784234-0 | PHILLIPS BIT 2-110 | 1 | |
| 008 | 233112-6 | COMPRESSION SPRING 21 | 1 | |
| 009 | 421467-3 | DUST COVER | 1 | |
| 010 | ***** | ***** | *** | ***** |
| 011 | 150565-3 | CASING COMPLETE | 1 | |
| 012 | ***** | ***** | *** | ***** |
| 013 | 233089-5 | COMPRESSION SPRING 12 | 1 | |
| 014 | 267117-4 | FLAT WASHER 6 | 1 | |
| 015 | 912117-6 | COUNTERSUNK HEAD SCREW M4X12 | 1 | |
| 016 | 922146-1 | HEX. SOCKET HEAD BOLT M4X25 | 1 | |
| 017 | 214028-4 | PLANE BEARING 8 | 1 | |
| 018 | 212042-4 | THRUST NEEDLE BEARING 821 | 1 | |
| 019 | 226413-9 | HELICAL GEAR 55 | 1 | |
| 020 | 223095-8 | CLUTCH CAM | 1 | |
| 021 | 216008-6 | STEEL BALL 4 | 3 | |
| 022 | 233006-5 | COMPRESSION SPRING 9 | 1 | |
| 023 | 223106-9 | SPINDLE | 1 | |
| 024 | 216001-0 | STEEL BALL 3.5 | 1 | |
| 025 | 214162-0 | PLANE BEARING 14 | 1 | |
| 026 | ***** | ***** | *** | ***** |
| 027 | 311921-4 | RATCHET WHEEL | 1 | |
| 028 | 311976-9 | RATCHET DISC | 1 | |
| 029 | 232133-5 | LEAF SPRING | 1 | |
| 030 | 257664-3 | SLEEVE 4 | 1 | |
| 031 | 265036-8 | + FLAT HEAD SCREW M3X5 | 1 | |
| 032 | 911133-5 | PAN HEAD SCREW M4X18 | 1 | |
| 033 | 922107-1 | HEX. SOCKET HEAD BOLT M4X8 | 2 | |
| 034 | ***** | ***** | *** | ***** |
| 035 | 211014-6 | BALL BEARING 606 | 1 | |
| 036 | 226705-6 | SPIRAL BEVEL GEAR 22 | 1 | |
| 037 | 226412-1 | HELICAL GEAR 14 | 1 | |
| 038 | 211014-6 | BALL BEARING 606 | 1 | |
| 039 | 857517-2 | NAME PLATE 6830 | 1 | |
| 040 | 182601-7 | HOUSING SET | 1 | |
| 041 | 665394-6 | POWER SUPPLY CORD 1.0-2-2.5 | 1 | |
| 042 | 682502-4 | CORD GUARD 8-85 | 1 | |
| 043 | 687052-4 | STRAIN RELIEF | 1 | |
| 044 | 265995-6 | TAPPING SCREW 4X18 | 2 | |
| 045 | ***** | ***** | *** | ***** |
| 046 | 651556-2 | SWITCH VLX11 | 1 | |
| 047 | 645173-8 | NOISE SUPPRESSOR | 1 | |
| 048 | 651272-6 | SWITCH SGEL106CV-1 | 1 | |
| 049 | 226704-8 | SPIRAL BEVEL GEAR 15 | 1 | |
| 050 | ***** | ***** | *** | ***** |
| 051 | 211061-7 | BALL BEARING 6000LLB | 1 | |
| 052 | 241869-5 | FAN 55 | 1 | |
| 053 | 517063-4 | ARMATURE ASS'Y 220V | 1 | |
| 054 | 633258-2 | FIELD 220V | 1 | |

SPARE PARTS LIST

MODEL NO. 6830

| ITEM | PART NO. | DESCRIPTION | QTY | NOTE |
|------|----------|-----------------------|-----|-------|
| 055 | ***** | ***** | *** | ***** |
| 056 | 152433-6 | HOLDER ARM CPMPLETE | 1 | |
| 057 | 182601-7 | HOUSING SET | 1 | |
| 058 | 266045-0 | TAPPING SCREW 4X20 | 10 | |
| 059 | 415352-0 | SCREW GUIDE | 1 | |
| 060 | 266045-0 | TAPPING SCREW 4X20 | 1 | |
| 061 | 344056-6 | HOOK | 1 | |
| 062 | 643550-8 | BRUSH HOLDER CAP 5-8 | 2 | |
| 063 | 191940-4 | CARBON BRUSH CB-411 | 1 | |
| 064 | 819063-3 | MAKITA LABEL | 1 | |
| A01 | 784234-0 | PHILLIPS BIT 2-110 | 1 | |
| A02 | 783201-2 | HEX. WRENCH 3 | 1 | |
| A03 | 410048-8 | WRENCH HOLDER 3.4 | 1 | |
| A04 | 824421-0 | PLASTIC CARRYING CASE | 1 | |
| B01 | 182857-2 | CASING SET | 1 | |
| B02 | 182858-0 | FEEDER BOX SET | 1 | |