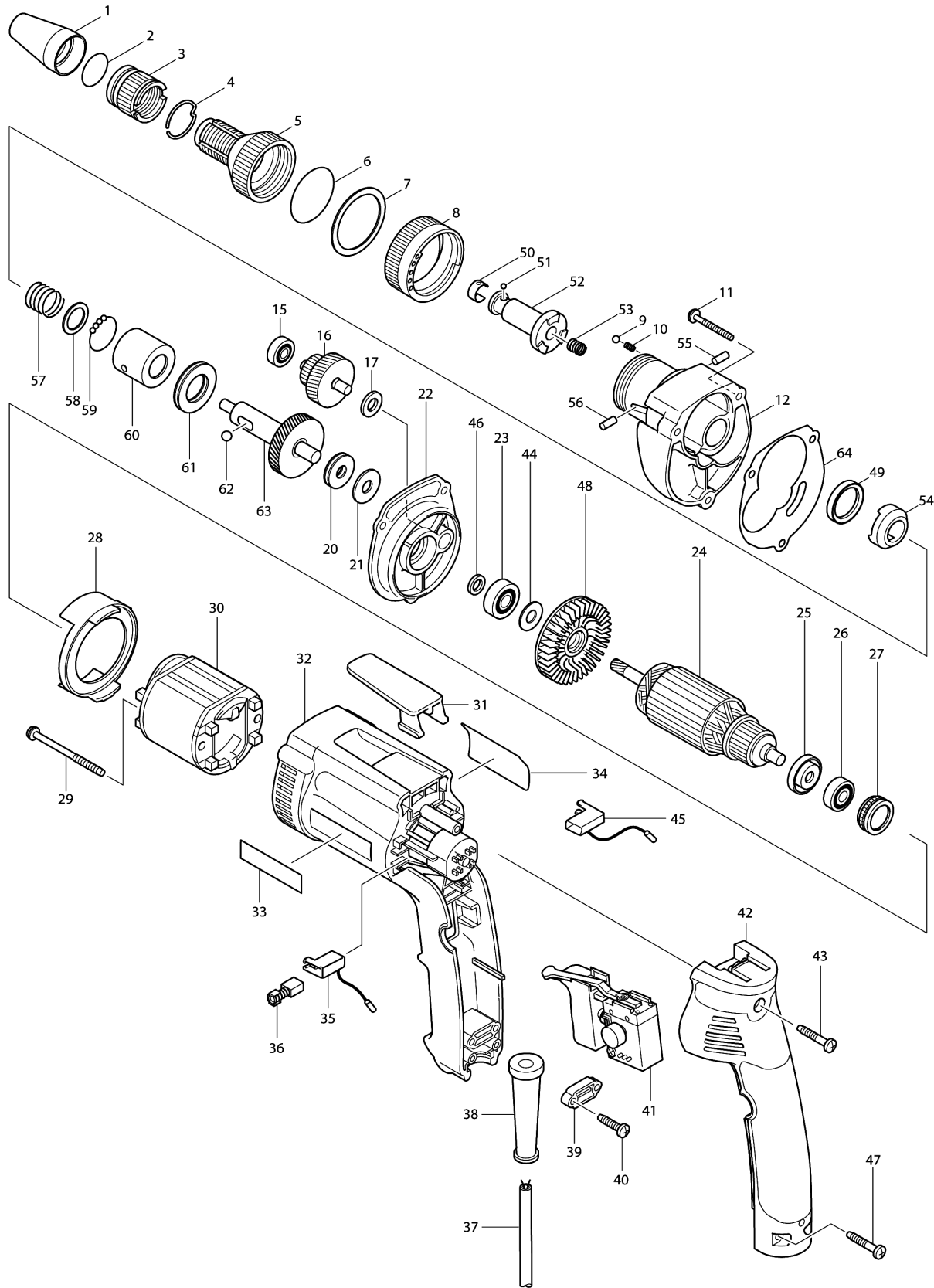


### Model No.6827 SCREWDRIVER





## Model No.6827 SCREWDRIVER

Item	Parts No.	Description	I/C	Qty	New/Old	Opt. 1	Opt. 2	Note
001	322120-3	FRONT CAP 12		1				
002	213310-8	O RING 20		1				
003	322073-6	ADJUST SLEEVE		1				
004	231940-3	RING SPRING 22		1				
005	324140-3	CLUTCH COVER		1				
006	213486-1	O RING 35		1	*			
006-1	213343-3	O RING 35	O	1				
007	253806-7	FLAT WASHER 36		1				
008	152841-1	RING 36 COMPLETE		1				
009	216008-6	STEEL BALL 4		1				
010	233314-4	COMPRESSION SPRING 4		1				
011	266050-7	TAPPING SCREW 4X30		3				
012	317440-8	GEAR HOUSING		1				
015	211014-6	BALL BEARING 606		1	*			
015-1	211012-0	BALL BEARING 606ZZ	O	1				
016	226133-5	GEAR COMPLETE 17-35		1				
017	267017-8	FLAT WASHER 8		1				
020	212042-4	THRUST NEEDLE BEARING 821		1				
021	261111-8	URETHANE WASHER 8		1				
022-1	152913-2	GEAR HOUSING COVER COMPLETE		1				
C10	212004-2	NEEDLE BEARING 810		1				
C20	212016-5	NEEDLE BEARING 609		1				
023	210007-0	BALL BEARING 608VV		1				
024A_	517323-4	ARMATURE ASS'Y 220V		1				
D10		INC. 23,25,26,44,48						
025	681636-0	INSULATION WASHER		1				
026	211021-9	BALL BEARING 607LLB		1				
027	421479-6	RUBBER RING 19		1				
028	416993-5	BAFFLE PLATE		1				
029	266147-2	TAPPING SCREW 4X55		2				
030A_	633443-7	FIELD 220-240V		1				
031	417625-7	HOOK		1				
032	183285-4	MOTOR HOUSING		1	*			
D10		INC. 33			*			
032-1	188628-5	MOTOR HOUSING	S	1	*			
D10		INC. 33			*			
032-2	450718-7	MOTOR HOUSING	<	1				
033	819063-3	MAKITA LABEL		1	*			
034	852989-6	NAME PLATE 6827		1	*			
034-1	860147-0	NAME PLATE 6827	O	1				
035A_	643960-9	BRUSH HOLDER		1				

Please order the parts with part number.

Print Date 18/6/2019

## Model No.6827 SCREWDRIVER

Item	Parts No.	Description	I/C	Qty	New/Old	Opt. 1	Opt. 2	Note
036A_	191962-4	CARBON BRUSH CB-419		1				
037D_	695034-2	POWER SUPPLY CORD 1.0-2-4.0		1				
038	682559-5	CORD GUARD 8		1				
039B_	687052-4	STRAIN RELIEF		1	*			
039B1	687124-5	STRAIN RELIEF	O	1				
040	265995-6	TAPPING SCREW 4X18		2				
041	651978-6	SWITCH C3MA-2L		1	*			
041-1	651978-6	SWITCH C3MA-2L	O	1				
042	151961-8	HANDLE COVER COMPLETE		1	*			
C10	263002-9	RUBBER PIN 4		2	*			
042-1	158710-4	HANDLE COVER COMPLETE	S	1				
C10	263002-9	RUBBER PIN 4		2				
043	265999-8	TAPPING SCREW 4X25		1				
044	253139-0	FLAT WASHER 8		1				
045A_	643961-7	BRUSH HOLDER		1				
046	262087-2	RING 8		1	*			
047	265999-8	TAPPING SCREW 4X25		2				
048	240022-0	FAN 52		1				
049	421766-3	RING 20		1				
050	232050-9	LEAF SPRING		1				
051	216001-0	STEEL BALL 3.5		1				
052	134461-3	SPINDLE ASS'Y		1				
D10		INC. 50,51						
053	231278-6	COMPRESSION SPRING 6		1				
054	223073-8	CLUTCH CAM		1				
055	256226-4	PIN 4		1	*			
055-1	268075-7	PIN 4	>	1				
056	256226-4	PIN 4		1	*			
056-1	268075-7	PIN 4	>	1				
057	231423-3	COMPRESSION SPRING 13.6		1				
058	253837-6	FLAT WASHER 14		1				
059	216014-1	STEEL BALL 3.2		16				
060	324141-1	SLEEVE		1	*			
060-1	324209-3	SLEEVE	<	1				
061	212262-0	THRUST NEEDLE BEARING 1831		1				
062	216011-7	STEEL BALL 5.6		3				
063	152840-3	GEAR COMPLETE		1				
064	442136-3	GASKET		1				
065	256157-7	PIN 3		1				
A02	824449-8	PLASTIC CARRYING CASE		1				
C10	182935-8	SLIDE LATCH (R.L) SET		1				

Please order the parts with part number.

Print Date 18/6/2019

**Model No.6827 SCREWDRIVER**

Item	Parts No.	Description	I/C	Qty	New/Old	Opt. 1	Opt. 2	Note
E01	645200-1	NOISE SUPPRESSOR		1				
E02	645253-0	NOISE SUPPRESSOR		1				
E03	654128-2	EARTH TERMINAL		1				

Please order the parts with part number.

Print Date 18/6/2019