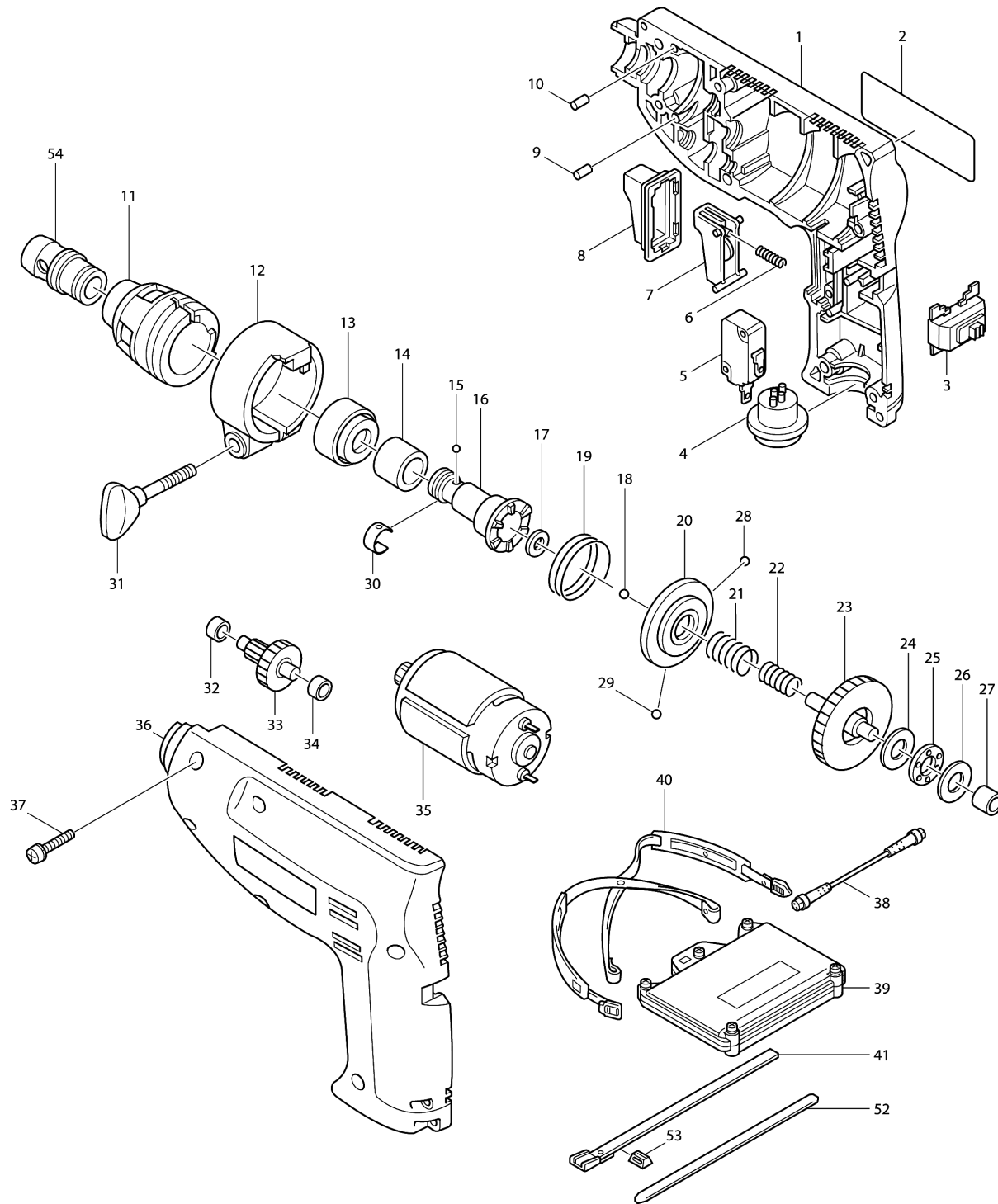


Model No.6811D BATTERY DRYWALL SCREWDRIVER



Model No.6811D BATTERY DRYWALL SCREWDRIVER

Item	Parts No.	Description	I/C	Qty	New/Old	Opt. 1	Opt. 2	Note
001	182241-1	HOUSING SET		1				
D10		INC. 9,10,36						
002	856351-7	NAME PLATE 6811D		1				
003	651889-5	SWITCH C3BC-BC		1				
004	655408-9	INLET		1				
005	651899-2	SWITCH V-5130E-114		1	*			
005-1	651891-8	SWITCH V-15-3A6	O	1				
006	231469-9	COMPRESSION SPRING 4		1				
007	414353-5	SWITCH LEVER		1				
008	421343-1	DUST COVER		1				
009	263002-9	RUBBER PIN 4		1				
010	263002-9	RUBBER PIN 4		1				
011	410908-4	LOCATOR		1	*			
011-1	415149-7	LOCATOR	X	1				
012	410907-6	LOCK RING		1				
013	421314-8	DUST RING		1				
014	214154-9	PLANE BEARING 14		1				
015	216001-0	STEEL BALL 3.5		1				
016	152348-7	SPINDLE COMPLETE		1				
017	267066-5	FLAT WASHER 5		1				
018	216008-6	STEEL BALL 4		1				
019	231589-9	TORSION SPRING 27		1				
020	223078-8	CLUTCH CAM		1				
021	231470-4	COMPRESSION SPRING 6		1				
022	231471-2	COMPRESSION SPRING 9		1				
023	153192-5	GEAR COMPLETE		1				
024	253878-2	FLAT WASHER 10		1				
025	211130-4	THRUST BALL BEARING 1018		1				
026	253878-2	FLAT WASHER 10		1				
027	214012-9	PLANE BEARING 6		1				
028	216008-6	STEEL BALL 4		1				
029	216008-6	STEEL BALL 4		1				
030	232050-9	LEAF SPRING		1				
031	251880-9	SCREW M5X33		1				
032	214017-9	PLANE BEARING 5		1				
033	226088-4	GEAR COMPLETE 16-41		1				
034	214017-9	PLANE BEARING 5		1				
035-1	629616-8	DC MOTOR 14.4V		1				
C10	221882-9	SPUR GEAR 15		1				
036	182241-1	HOUSING SET		1				
D10		INC. 1,9,10						
037	911143-2	PAN HEAD SCREW M4X22		7				

Please order the parts with part number.

Print Date 18/6/2019

Model No.6811D BATTERY DRYWALL SCREWDRIVER

Item	Parts No.	Description	I/C	Qty	New/Old	Opt. 1	Opt. 2	Note
038-1	661974-6	COUPLING CORD		1				
039E1	192348-5	BATTERY 1402 SET		1	*			
C10	652590-5	OVER CURRENT RELAY		1	*			
D10		INC. 38,40,41,52,53			*			
039E2	192344-3	BATTERY 1402 SET	<	1				
C10	652590-5	OVER CURRENT RELAY		1				
D10		INC. 38,40,41,52,53						
040-1	163318-1	SHOULDER STRAP		1				
041-1	163315-7	WAIST BELT		1				
052	444015-1	ADJUST BELT		1				
053	414755-5	SQUARE RING		1				
054	152407-7	STOPPER COMPLETE		1				
A01-1	182387-3	STEEL CARRYING CASE		1				
A02	784211-2	PHILLIPS INSERT BIT 2-25		1	*			
A02-1	784261-7	+BIT 2-25	O	1				
A03	784807-9	MAGNETIC CONNECT BIT 6.35-60		1	*			
A03-1	784811-8	MAGNETIC CONNECT BIT 6.35-60	O	1				

Please order the parts with part number.

Print Date 18/6/2019