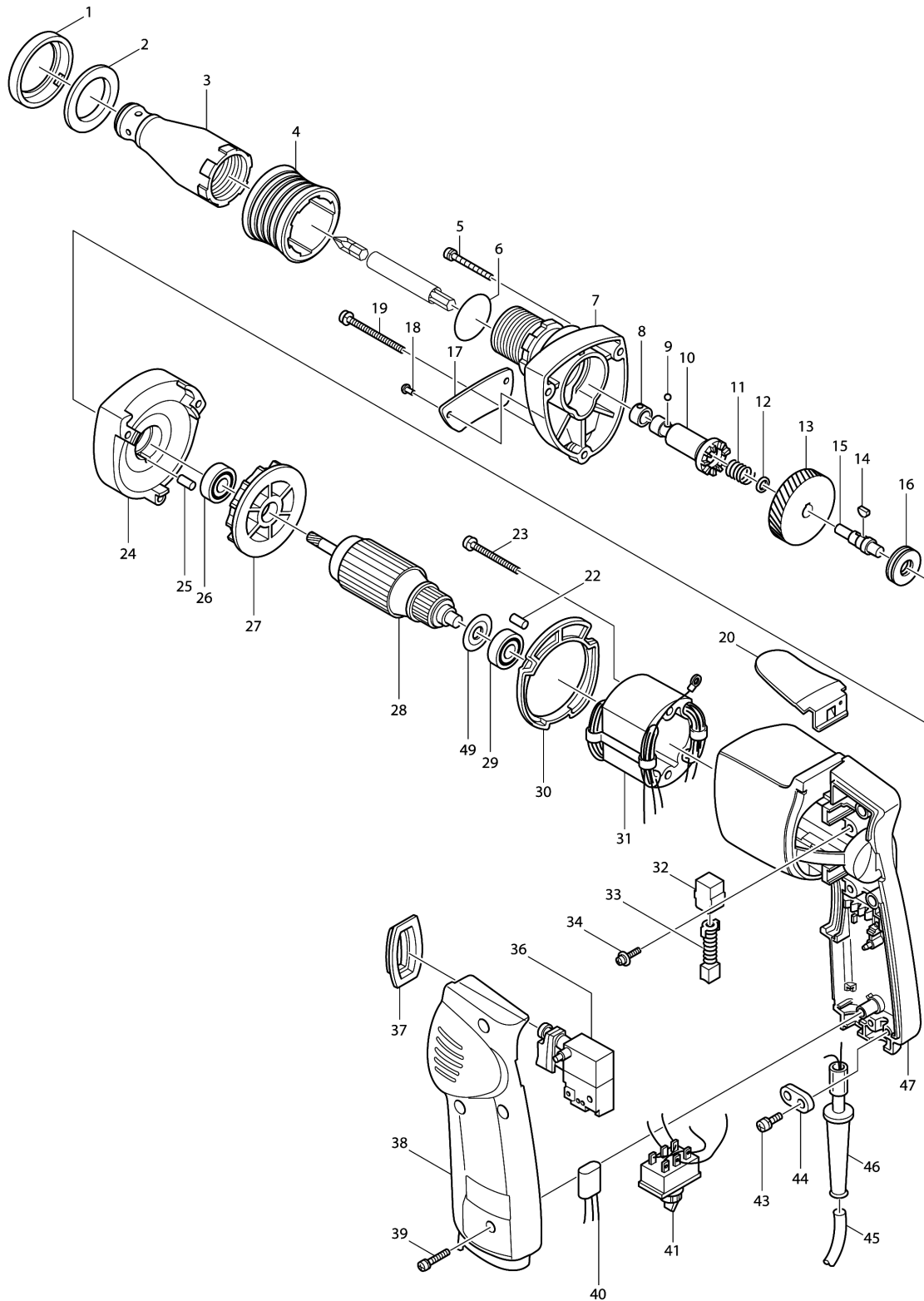


Model No.6801DBV DRYWALL SCREWDRIVER



Model No.6801DBV DRYWALL SCREWDRIVER

Item	Parts No.	Description	I/C	Qty	New/Old	Opt. 1	Opt. 2	Note
001	411297-0	FELT COVER		1				
002	443028-9	FELT RING 30		1				
003	411292-0	LOCATOR		1				
D10		INC. 48						
004	411293-8	LOCKING SLEEVE		1				
005	911181-4	PAN HEAD SCREW M4X55		2				
006	213363-7	O RING 23		1	*			
006-1	213404-9	O RING 27	O	1				
007	156353-6	GEAR HOUSING		1				
C10	212155-1	NEEDLE BEARING 1416		1				
C20	213154-6	O RING 14		1				
008	232050-9	LEAF SPRING		1				
009	216001-0	STEEL BALL 3.5		1				
010	133457-1	SPINDLE		1				
C10	212015-7	NEEDLE BEARING 509		1				
D10		INC. 8,9						
011	231139-0	COMPRESSION SPRING 9		1				
012	253324-5	THIN WASHER 8		2				
013	221674-6	HELICAL GEAR 37		1				
014	254031-3	WOODRUFF KEY 3		1				
015	325485-2	GEAR SHAFT		1				
016	212057-1	THRUST NEEDLE BEARING 1023		1				
017	815415-6	NAME PLATE 6801DBV		1				
018	953106-2	RIVET 0-5		2				
019	911171-7	PAN HEAD SCREW M4X45		1				
020-1	343693-3	HOOK		1				
022	263002-9	RUBBER PIN 4		1				
023-3	911576-1	PAN HEAD SCREW M4X50		2				
024	156354-4	GEAR HOUSING COVER		1				
C10	214012-9	PLANE BEARING 6		1				
D10		INC. 25						
025	263002-9	RUBBER PIN 4		1				
026	211033-2	BALL BEARING 608LB		1				
027	241803-5	FAN 58		1				
028C1	511783-2	ARMATURE ASS'Y 220V		1				
C10	681617-4	INSULATION WASHER		1				
D10		INC. 26,27,29						
029	211028-5	BALL BEARING 627LB		1				
030-1	414463-8	BAFFLE PLATE		1				
031I1	627059-8	FIELD 220V		1				
032	643552-4	BRUSH HOLDER 5-8		2				
033B_	191627-8	CARBON BRUSH CB-64		1				

Please order the parts with part number.

Print Date 18/6/2019

Model No.6801DBV DRYWALL SCREWDRIVER

Item	Parts No.	Description	I/C	Qty	New/Old	Opt. 1	Opt. 2	Note
034	911124-6	PAN HEAD SCREW M4X14		2				
036J_	651247-5	SWITCH 11-12		1	*			
036J1	651256-4	SWITCH SGEL106CV-1A	O	1	*			
036J2	650226-0	SWITCH TG823AB-2	S	1				
037	411852-8	SWITCH COVER		1				
038C_	155587-8	HANDLE COVER COMPLETE		1	*			
C11	816266-0	INDICATION LABEL		1	*			
038C1	154970-6	HANDLE COVER COMPLETE	S	1				
C11	816266-0	INDICATION LABEL		1				
039	911153-9	PAN HEAD SCREW M4X28		3				
040F_	645253-0	NOISE SUPPRESSOR		1				
041-1	651478-6	SWITCH VTX11		1				
043-1	911133-5	PAN HEAD SCREW M4X18		2				
044B_	687031-2	STRAIN RELIEF		1				
045B_	665394-6	POWER SUPPLY CORD 1.0-2-2.5		1				
046A_	682502-4	CORD GUARD 8-85		1				
047-2	159062-6	MOTOR HOUSING COMPLETE		1	*			
C10	816266-0	INDICATION LABEL		1	*			
D10		INC. 22			*			
047-3	188104-9	MOTOR HOUSING SET	S	1				
C10	816266-0	INDICATION LABEL		1				
C20	819063-3	MAKITA LABEL		1				
D10		INC. 22						
048	261058-6	SPONGE WASHER 11		1				
049	681617-4	INSULATION WASHER		1				
400	784211-2	PHILLIPS INSERT BIT 2-25		1	*			
400-1	784261-7	+BIT 2-25	O	1				
401	784801-1	MAGNETIC BIT HOLDER 6.35-76		1				

Please order the parts with part number.

Print Date 18/6/2019