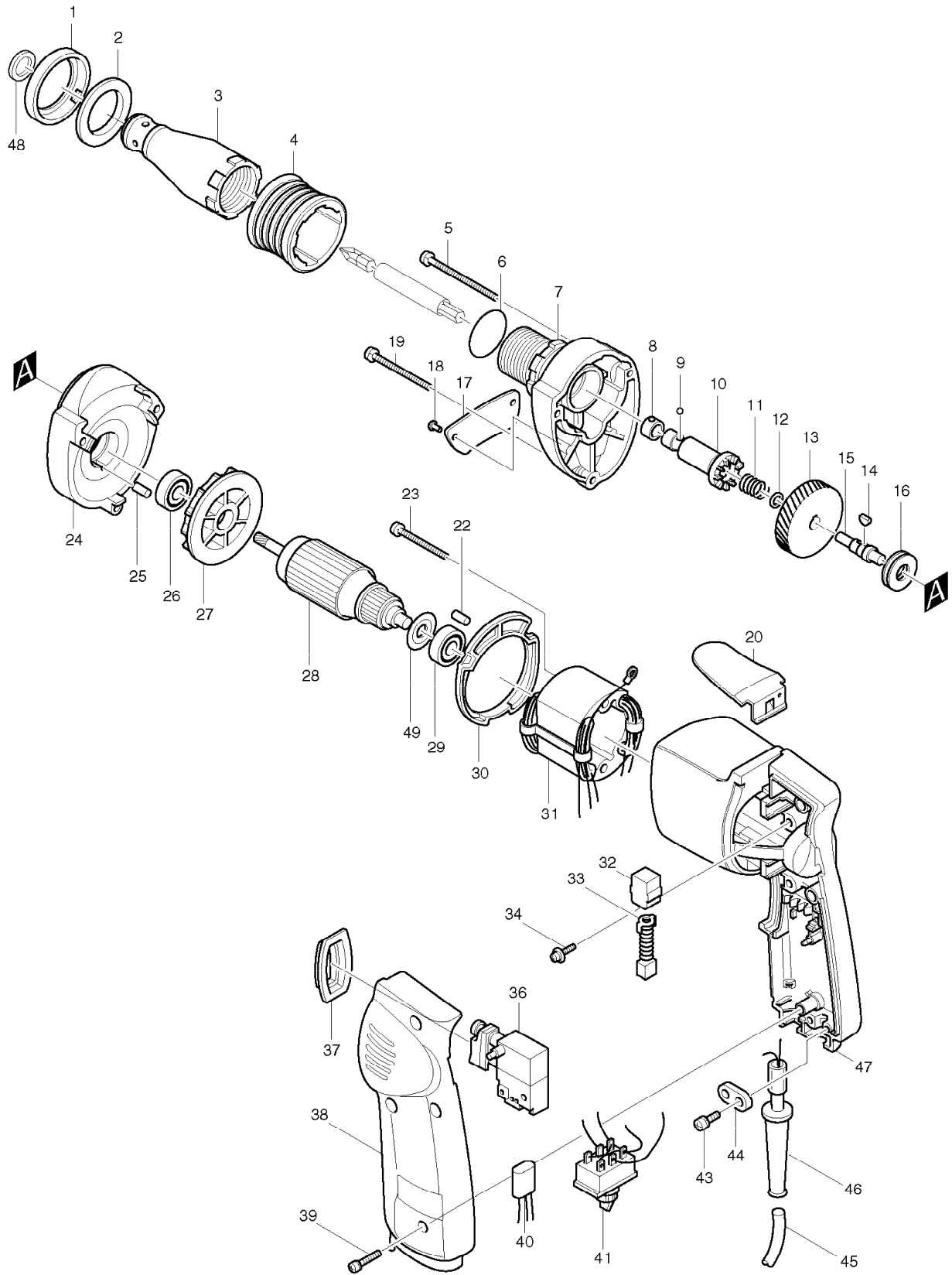


SERVICE DRAWING

MODEL NO. 6800DBV



SPARE PARTS LIST

MODEL NO. 6800DBV

ITEM	PART NO.	DESCRIPTION	QTY	NOTE
001	411297-0	FELT COVER	1	
002	443028-9	FELT RING 30	1	
003	411292-0	LOCATOR	1	
004	411293-8	LOCKING SLEEVE	1	
005	911183-0	PAN HEAD SCREW M4X55	2	
006	*****	*****	***	*****
007	156681-9	GEAR HOUSING	1	
008	232050-9	LEAF SPRING	1	
009	216001-0	STEEL BALL 3.5	1	
010	133457-1	SPINDLE	1	
011	231139-0	COMPRESSION SPRING 9	1	
012	253324-5	THIN WASHER 8	2	
013	221675-4	HELICAL GEAR 56	1	
014	254031-3	WOODRUFF KEY 3	1	
015	325485-2	GEAR SHAFT	1	
016	212057-1	THRUST NEEDLE BEARING 1023	1	
017	815402-5	NAME PLATE 6800DBV	1	
018	953106-2	RIVET 0-5	2	
019	911173-3	PAN HEAD SCREW M4X45	1	
020	343693-3	HOOK	1	
022	263002-9	RUBBER PIN 4	1	
023	911576-1	PAN HEAD SCREW M4X50	2	
024	156682-7	GEAR HOUSING COVER	1	
025	263002-9	RUBBER PIN 4	1	
026	211028-5	BALL BEARING 627LB	1	
027	241803-5	FAN 58	1	
028	511763-8	ARMATURE ASS'Y 220V	1	220V
029	211028-5	BALL BEARING 627LB	1	
030	414463-8	BAFFLE PLATE	1	
031	627059-8	FIELD 220V	1	
032	643552-4	BRUSH HOLDER 5-8	2	
033	191627-8	CARBON BRUSH CB-64	1	
034	911124-6	PAN HEAD SCREW M4X14	2	
036	*****	*****	***	*****
037	411852-8	SWITCH COVER	1	
038	*****	*****	***	*****
039	911153-9	PAN HEAD SCREW M4X28	3	
040	645253-0	NOISE SUPPRESSOR	1	
041	651478-6	SWITCH VTX11	1	
043	911133-5	PAN HEAD SCREW M4X18	2	
044	687001-1	STRAIN RELIEF	1	
045	666066-6	POWER SUPPLY CORD 1.0-2-2.5	1	220V
046	682502-4	CORD GUARD 8-85	1	
047	*****	*****	***	*****
048	261058-6	SPONGE WASHER 11	1	
049	681617-4	INSULATION WASHER	1	
400	784211-2	PHILLIPS INSERT BIT 2-25	1	
401	784801-1	MAGNETIC BIT HOLDER 6.35-76	1	
500	122211-8	LOCATOR ASS'Y	1	
903	819063-3	MAKITA LABEL	1	