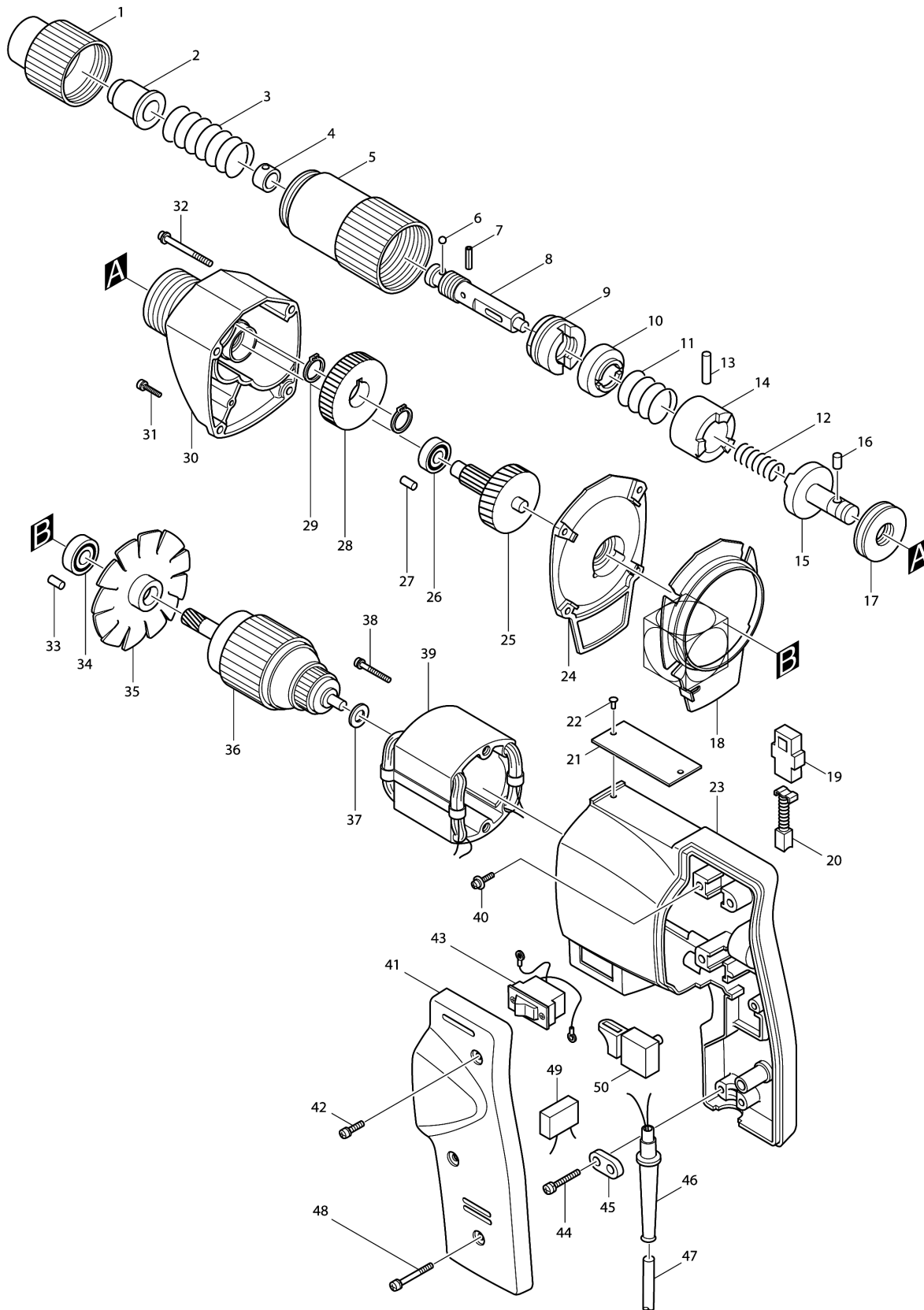


# Model No.6701B SCREWDRIVER





## Model No.6701B SCREWDRIVER

Item	Parts No.	Description	I/C	Qty	New/Old	Sales	Purch.	Note
001	323075-5	FRONT COVER		1				
002	323074-7	SCREW GUIDE 8.0		1				
003	231017-4	COMPRESSION SPRING 15		1				
004	232050-9	LEAF SPRING		1				
005	323073-9	CLUTCH COVER		1				
006	216001-0	STEEL BALL 3.5		1				
007	951060-4	SPRING PIN 3-14		1				
008	133454-7	SPINDLE		1				
D10		INC. 4,6						
009	313003-8	ADJUSTING NUT		1				
010	313004-6	THRUST COLLAR		1				
011	231018-2	COMPRESSION SPRING 17		1				
012	231271-0	COMPRESSION SPRING 4		1				
013	256010-7	PIN 5		1				
014	223001-3	CLUTCH CAM		1				
015	223002-1	CLUTCH SHAFT		1				
016	256009-2	PIN 4.5		1				
017	212110-3	THRUST NEEDLE BEARING 1224		1				
018-1	410282-0	BAFFLE PLATE		1				
019	643551-6	BRUSH HOLDER 5-8		2				
020-1	181026-2	CARBON BRUSH CB-55		1				
021	811802-7	NAME PLATE 6701B		1	*			
022	953106-2	RIVET 0-5		2	*			
023-1	157279-5	MOTOR HOUSING		1	*			
023-2	157279-5	MOTOR HOUSING	>	1				
024	156077-4	GEAR HOUSING COVER		1				
C10	214004-8	PLANE BEARING 6		1				
D10		INC. 33						
025	226029-0	GEAR COMPLETE 9-39		1				
026	211016-2	BALL BEARING 626LLB		1				
027	263002-9	RUBBER PIN 4		1				
028	221023-7	SPUR GEAR 54		1				
029	961052-5	RETAINING RING S-12		2				
030	156060-1	GEAR HOUSING		1				
C10	214104-4	PLANE BEARING 12		1				
D10		INC. 27						
031	911146-6	PAN HEAD SCREW M4X25		2				
032	911176-7	PAN HEAD SCREW M4X50		2				
033	263002-9	RUBBER PIN 4		1				
034	211031-6	BALL BEARING 608LLB		1				
035	241803-5	FAN 58		1				
036E_	518100-7	ARMATURE ASS'Y 220V		1	*			

Please order the parts with part number.

Print Date 18/6/2019

## Model No.6701B SCREWDRIVER

Item	Parts No.	Description	I/C	Qty	New/Old	Sales	Purch.	Note
D10		INC. 34,35			*			
036E1	515065-4	ARMATURE ASS'Y 220V	O	1				
D10		INC. 34,35						
037	261008-1	FIBER WASHER 6		1				
038-1	911165-2	PAN HEAD SCREW M4X35		2				
039G_	628133-5	FIELD 220V		1				
040-1	911124-6	PAN HEAD SCREW M4X14		2				
041	411196-6	HANDLE COVER		1				
042	911148-2	PAN HEAD SCREW M4X25		1				
043-1	651561-9	SWITCH HSL205N-8		1				
044-1	911128-8	P.H.SCREW M4X16 WITH WR		2				
045A_	687002-9	STRAIN RELIEF		1				
046	682504-0	CORD GUARD 10-85		1				
047N_	665016-8	POWER SUPPLY CORD 1.00-2-2.5		1				
048	911158-9	PAN HEAD SCREW M4X30		1				
050G_	651235-2	SWITCH C2M-A1T		1				
400	784203-1	PHILLIPS BIT 2-65		1	*			
400-1	784203-1	PHILLIPS BIT 2-65	O	1	*			
400-2	784203-1	PHILLIPS BIT 2-65	O	1				
401	784005-5	SLOTTED BIT 6.35-45		1				
402	782005-9	OFFSET WRENCH 17		1				
403	783205-4	HEX. WRENCH 6.35		1				

Please order the parts with part number.

Print Date 18/6/2019