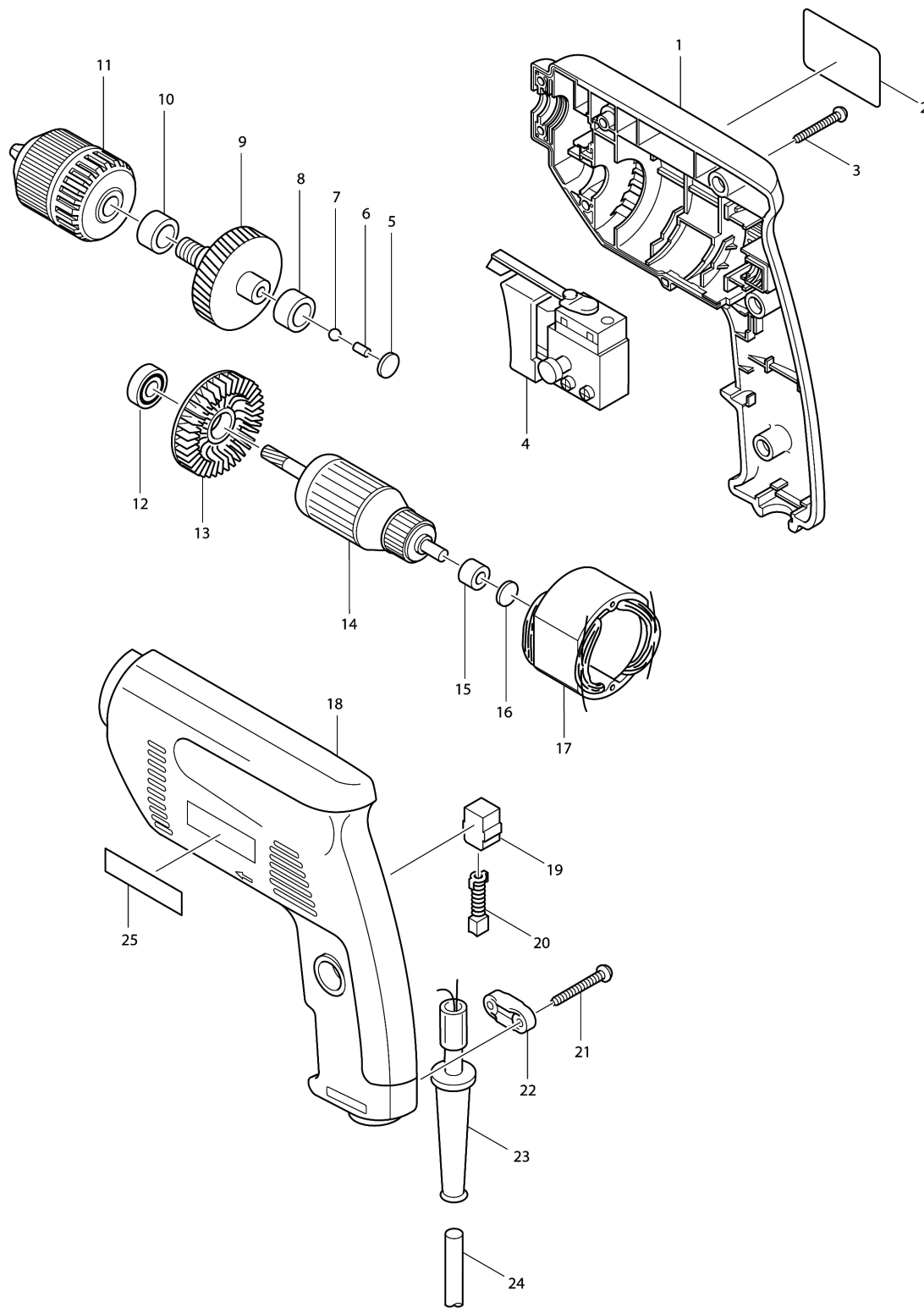


Model No.6410 DRILL 10MM



Model No.6410 DRILL 10MM

Item	Parts No.	Description	I/C	Qty	New/Old	Opt. 1	Opt. 2	Note
001	182904-9	HOUSING SET		1				
D10		INC. 18,25						
002	858922-6	NAME PLATE 6410		1				
003	265995-6	TAPPING SCREW 4X18		7				
004	651952-4	SWITCH 8653C721AD 200V-240V		1	*			
004-1	651987-5	SWITCH	X	1	*			
004-2	651987-5	SWITCH	X	1	*			
004-3	651986-7	SWITCH TG803TLB-1	O	1				
005	344418-8	PLATE 12		1				
006	256251-5	PIN 4		1				
007	216001-0	STEEL BALL 3.5		1				
008	214114-1	PLANE BEARING 12		1				
009	153245-0	GEAR COMPLETE		1	*			
009-1	193050-3	GEAR COMPLETE REPAIR SET	X	1				
D10		INC. 6,7						
010	214114-1	PLANE BEARING 12		1				
011	763119-3	KEYLESS DRILL CHUCK 10		1	*			
011-1	192016-0	KEYLESS DRILL CHUCK 10	O	1				
012	211033-2	BALL BEARING 608LB		1				
013	241881-5	FAN 52		1				
014	517183-4	ARMATURE ASS'Y 220V		1				
D10		INC. 12,13						
015	214014-5	PLANE BEARING 6		1				
016	344418-8	PLATE 12		1				
017	621658-8	FIELD 220/240V		1				
018	182904-9	HOUSING SET		1				
D10		INC. 1,25						
019	643552-4	BRUSH HOLDER 5-8		2	*			
019-1	643562-1	BRUSH HOLDER 5X8	O	2	*			
019-2	643552-4	BRUSH HOLDER 5-8	O	2				
020	191627-8	CARBON BRUSH CB-64		1				
021	265995-6	TAPPING SCREW 4X18		2				
022	687052-4	STRAIN RELIEF		1	*			
022-1	687124-5	STRAIN RELIEF	O	1				
023	682502-4	CORD GUARD 8-85		1				
024K_	665394-6	POWER SUPPLY CORD 1.0-2-2.5		1				
025	819063-3	MAKITA LABEL		1				
026	213105-9	O RING 11		1				
027	443103-1	FELT RING 6		1				
028	261008-1	FIBER WASHER 6		1				
E02	645253-0	NOISE SUPPRESSOR		1				

Please order the parts with part number.

Print Date 18/6/2019

Model No.6410 DRILL 10MM

Item	Parts No.	Description	I/C	Qty	New/Old	Opt. 1	Opt. 2	Note
E07	646047-6	CHOKE COIL		1				
E08	646048-4	CHOKE COIL		1				
E09	654171-1	EARTH TERMINAL		1				

Please order the parts with part number.

Print Date 18/6/2019