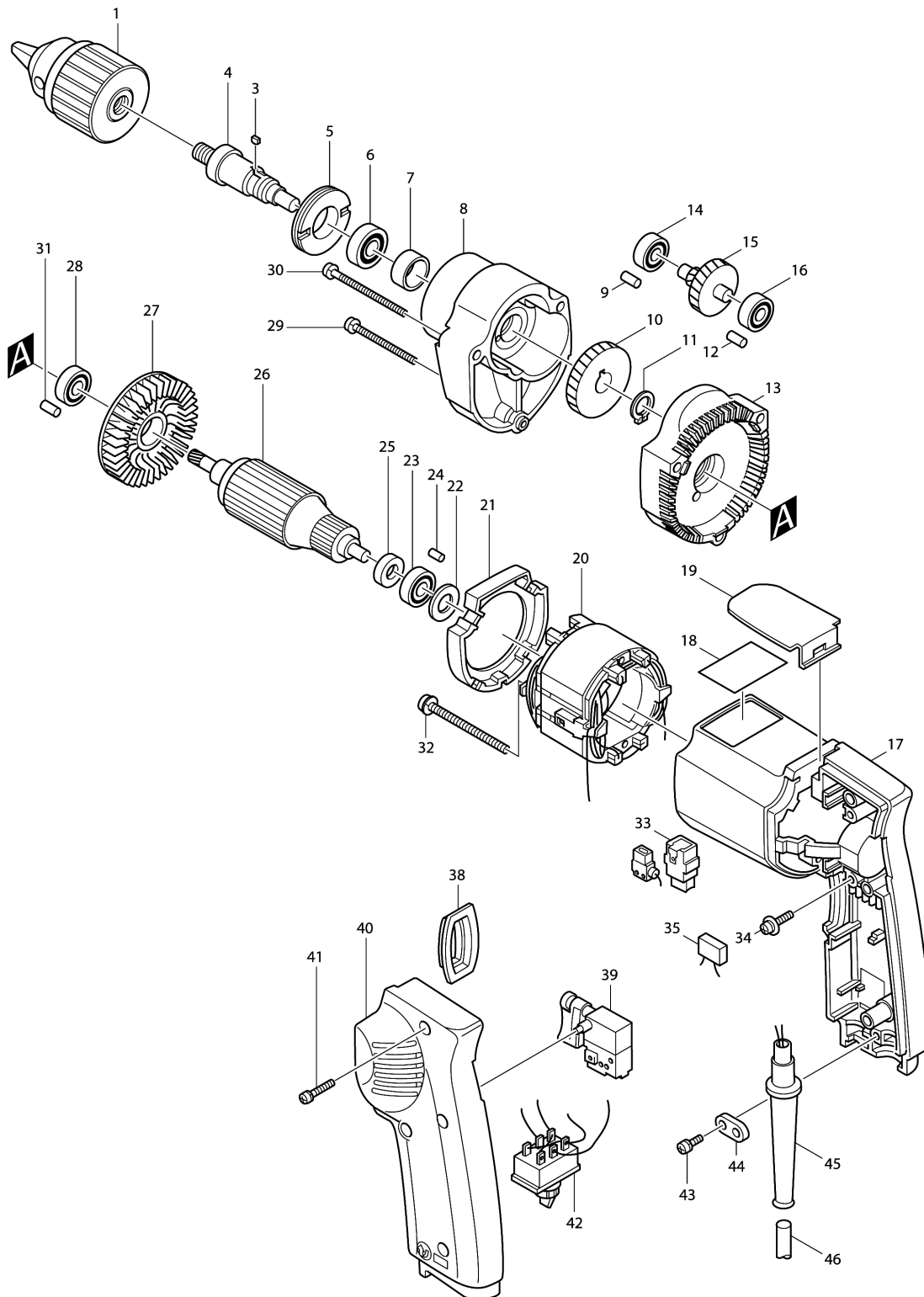


### Model No.6402 DRILL 10MM





## Model No.6402 DRILL 10MM

Item	Parts No.	Description	I/C	Qty	New/Old	Opt. 1	Opt. 2	Note
001B4	763132-1	KEYLESS DRILL CHUCK 10		1				
003	254011-9	WOODRUFF KEY 4		1				
004-1	322301-9	SPINDLE		1				
005	285804-3	BEARING RETAINER 19-34		1				
006	211201-7	BALL BEARING 6002LLB		1				
007	257153-8	RING 15		1				
008	157911-1	GEAR HOUSING		1				
D10		INC. 9						
009	263002-9	RUBBER PIN 4		1				
010	221764-5	HELICAL GEAR 49		1				
011	961052-5	RETAINING RING S-12		1				
012	263002-9	RUBBER PIN 4		1				
013	157912-9	GEAR HOUSING COVER		1				
C10	214001-4	PLANE BEARING 8		1				
D10		INC. 12,31						
014	211014-6	BALL BEARING 606		1				
015	226079-5	GEAR COMPLETE 11-34		1				
016	211014-6	BALL BEARING 606		1				
017	157725-8	MOTOR HOUSING		1				
D10		INC. 24						
018	856138-7	NAME PLATE 6402		1				
019	343407-0	HOOK		1				
020C_	633023-9	FIELD 220V		1				
021	410923-8	BAFFLE PLATE		1				
022	253192-6	FLAT WASHER 14		1				
023	211028-5	BALL BEARING 627LB		1				
024	263014-2	RUBBER PIN 4		1				
025	681614-0	INSULATION WASHER		1				
026C_	511768-8	ARMATURE ASS'Y 220V		1				
D11		INC. 23,25,27,28						
027-2	241881-5	FAN 52		1				
028	211033-2	BALL BEARING 608LB		1	*			
028-1	211031-6	BALL BEARING 608LLB	O	1				
029	911173-3	PAN HEAD SCREW M4X45		1				
030	911183-0	PAN HEAD SCREW M4X55		2				
031	263002-9	RUBBER PIN 4		1				
032-1	911581-8	PAN HEAD SCREW M4X55		2				
033B_	191950-1	CARBON BRUSH CB-415		1				
034	911124-6	PAN HEAD SCREW M4X14		1				
035D_	645253-0	NOISE SUPPRESSOR		1				
038	411852-8	SWITCH COVER		1				
039C_	651247-5	SWITCH 11-12		1	*			

Please order the parts with part number.

Print Date 18/6/2019

## Model No.6402 DRILL 10MM

Item	Parts No.	Description	I/C	Qty	New/Old	Opt. 1	Opt. 2	Note
039C1	651256-4	SWITCH SGEL106CV-1A	O	1				
040	155928-8	HANDLE COVER		1				
C10	817609-9	CAUTION LABEL		1				
041	911153-9	PAN HEAD SCREW M4X28		3				
042-1	651478-6	SWITCH VTX11		1				
043	911133-5	PAN HEAD SCREW M4X18		2				
044D_	687031-2	STRAIN RELIEF		1				
045A_	682502-4	CORD GUARD 8-85		1				
046Q_	665394-6	POWER SUPPLY CORD 1.0-2-2.5		1				

Please order the parts with part number.

Print Date 18/6/2019