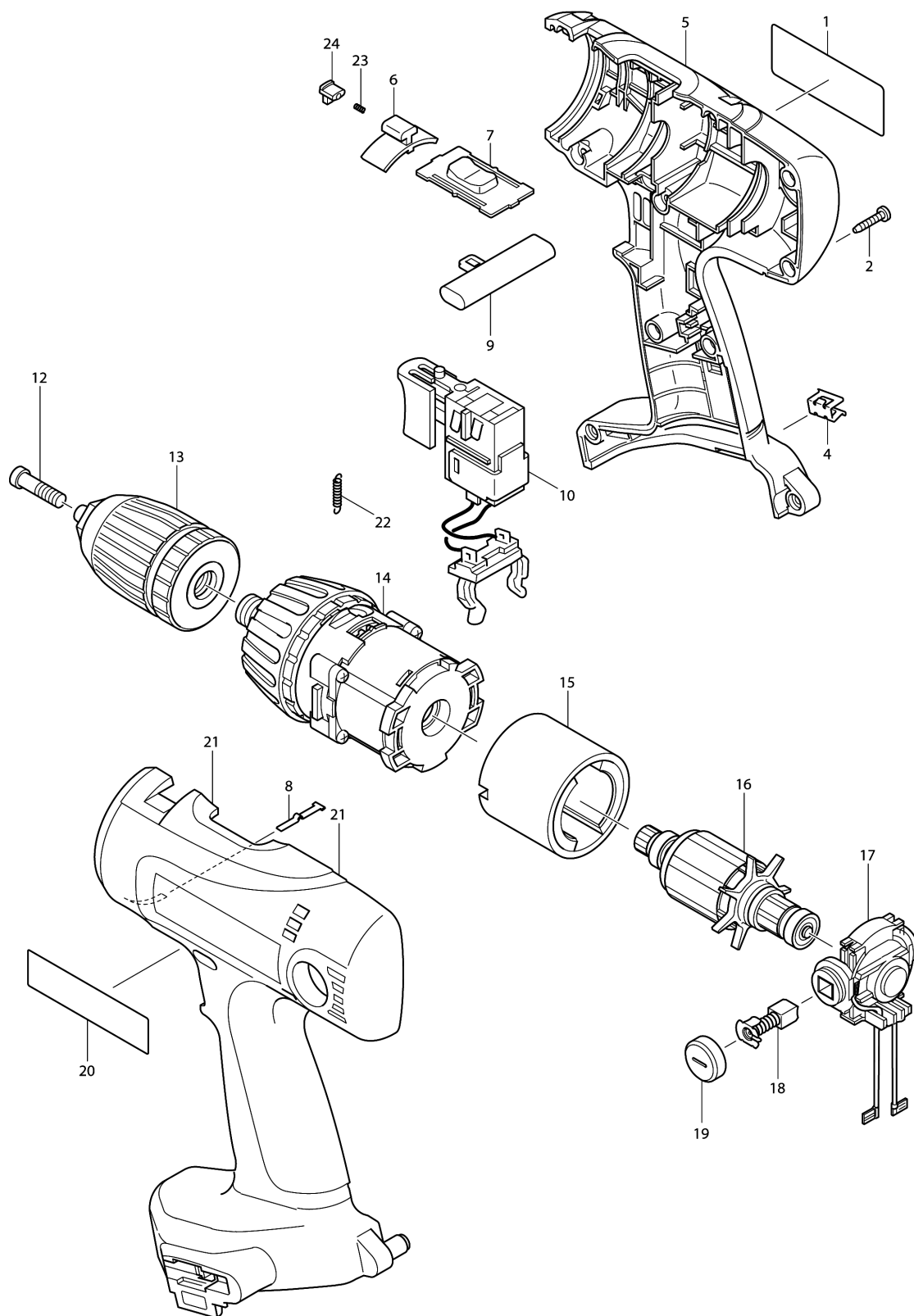


Model No.6347D CORDLESS DRIVER DRILL 13MM



Model No.6347D CORDLESS DRIVER DRILL 13MM

Item	Parts No.	Description	I/C	Qty	New/Old	Opt. 1	Opt. 2	Note
001	853716-4	NAME PLATE 6347D		1	*			
001-1	853730-0	NAME PLATE 6347D	<	1	*			
001-2	853718-0	NAME PLATE 6347D	O	1	*			
001-3	867365-1	NAME PLATE 6347D	X	1				
002	266130-9	TAPPING SCREW BIND PT 3X16		10				
004	344391-2	BIT HOLDER		2				
005	183451-3	HOUSING SET		1	*			
D10		INC. 20,21			*			
005-1	188785-9	HOUSING SET	S	1				
D10		INC. 21						
006	417879-6	MODE CHANGE LEVER		1				
007	125102-2	SPEED CHANGE LEVER ASS'Y		1	*			
C10	231433-0	COMPRESSION SPRING 4		2	*			
007-1	125310-5	SPEED CHANGE LEVER ASS'Y	S	1				
C10	231433-0	COMPRESSION SPRING 4		2				
008	232182-2	LEAF SPRING		1				
009	417880-1	F/R CHANGE LEVER		1	*			
009-1	417880-1	F/R CHANGE LEVER	O	1				
010	638143-4	SWITCH UNIT		1				
C10	643918-8	BATTERY HOLDER		1				
C20	650528-4	SWITCH C3SA-MH		1	*			
012	251464-3	- FLAT HEAD SCREW M6X22		1				
013	763166-4	KEYLESS DRILL CHUCK 13		1	*			
013-1	193616-9	KEYLESS DRILL CHUCK 13 SET	O	1	*			
013-2	766010-4	KEYLESS DRILL CHUCK 13	<	1				
014	125160-8	GEAR ASS'Y		1	*			
014-1	125160-8	GEAR ASS'Y	O	1	*			
014-2	125238-7	GEAR ASS'Y	<	1	*			
014-3	125574-1	GEAR ASS'Y	<	1				
015	638138-7	YOKE UNIT		1				
016	619082-7	ARMATURE		1	*			
016-1	619118-2	ARMATURE	O	1				
017	638139-5	ENDBELL COMPLETE		1				
018	191971-3	CARBON BRUSH CB-430		1				
019	643954-4	BRUSH HOLDER CAP		2	*			
019-1	643807-7	BRUSH HOLDER CAP	O	2				
020	819064-1	MAKITA MARK		1	*			
021	183451-3	HOUSING SET		1	*			
D10		INC. 5,20			*			
021-1	188785-9	HOUSING SET	S	1				
D10		INC. 5						

Please order the parts with part number.

Print Date 18/6/2019

Model No.6347D CORDLESS DRIVER DRILL 13MM

Item	Parts No.	Description	I/C	Qty	New/Old	Opt. 1	Opt. 2	Note
022	231829-5	TENSION SPRING 2		1				
023	233353-4	COMPRESSION SPRING 2		1				
024	417966-1	LOCK LEVER		1	*			
024-1	418095-3	LOCK LEVER	O	1				
A01	414938-7	BATTERY COVER		2				
A02	784637-8	+/- BIT 2-45		1				
A03	824660-2	PLASTIC CARRYING CASE		1	*			
C10	324207-7	SHAFT		1	*			
C20	417723-7	HANDLE		1	*			
C30	417724-5	LATCH		2	*			
C40	819144-3	MAKITA LOGO LABEL		1	*			
A03-1	183763-4	PLASTIC CARRYING CASE	O	1				
C10	324207-7	SHAFT		1				
C20	417723-7	HANDLE		1				
C30	417724-5	LATCH		2				
C40	819144-3	MAKITA LOGO LABEL		1				
A04	***DC1803	DC1803 BATTERY CHARGER		1	*			
A04-1	***DC1804	DC1804 BATTERY CHARGER	O	1				
A05	193102-0	NI-MH(2.6A) BATTERY 1834 SET		2				
A09	819804-7	PLASTIC CASE LABEL		1				

Please order the parts with part number.

Print Date 18/6/2019