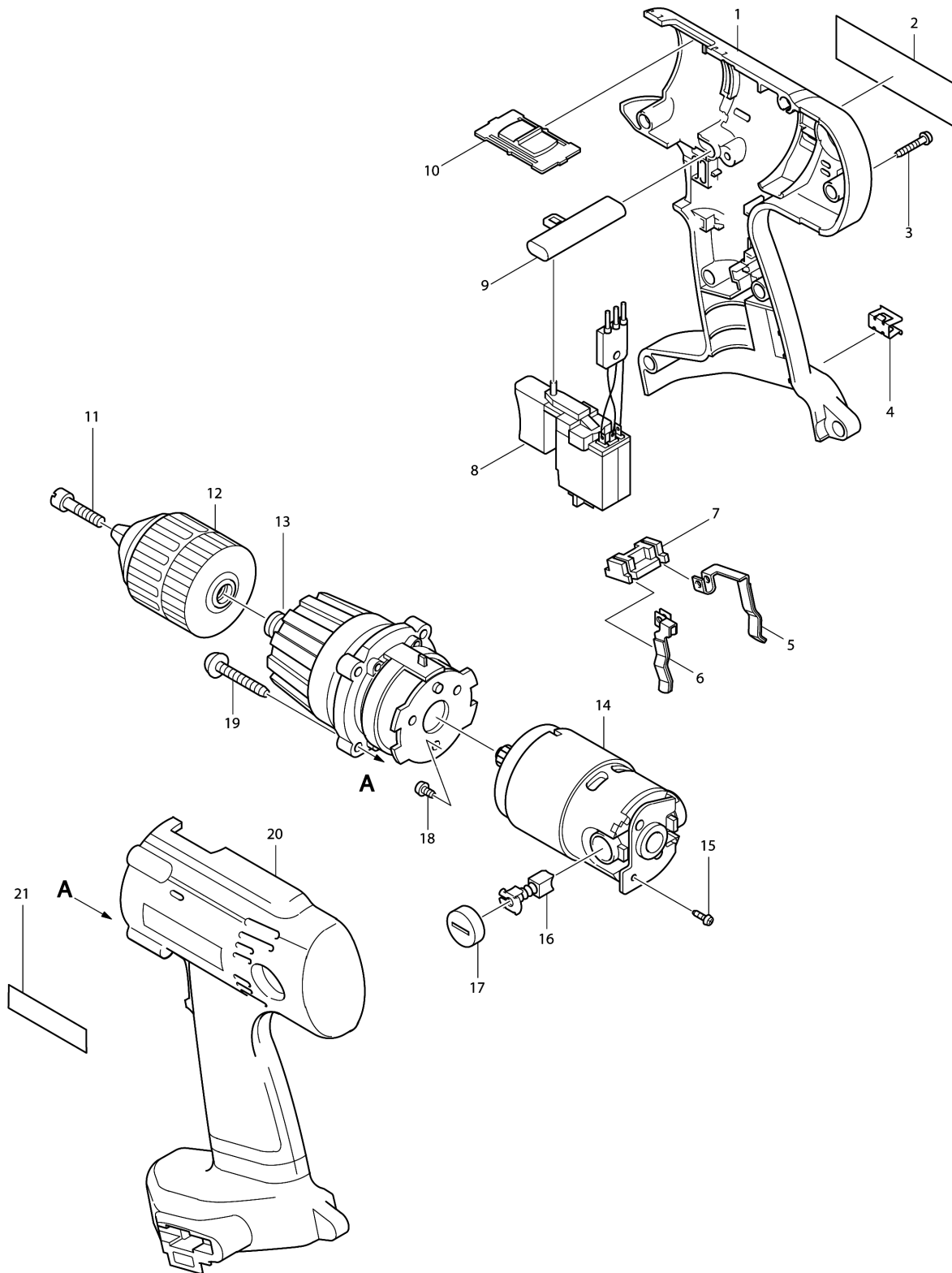


Model No.6343D CORDLESS DRIVER DRILL 13MM



Model No.6343D CORDLESS DRIVER DRILL 13MM

Item	Parts No.	Description	I/C	Qty	New/Old	Opt. 1	Opt. 2	Note
001	183032-3	HOUSING SET		1				
D10		INC. 20,21						
002	859863-9	NAME PLATE 6343D		1				
003	266130-9	TAPPING SCREW BIND PT 3X16		8				
004	344391-2	BIT HOLDER		2				
005	654168-0	SPRING TERMINAL (+)		1	*			
005-1	654168-0	SPRING TERMINAL (+)	<	1				
006	654169-8	SPRING TERMINAL (-)		1	*			
006-1	654169-8	SPRING TERMINAL (-)	<	1				
007	687085-9	HOLDER		1				
008	651968-9	SWITCH C3LA-2A		1	*			
008-1	651968-9	SWITCH C3LA-2A	O	1				
009	416079-5	F/R CHANGE LEVER		1				
010	125091-1	SPEED CHANGE LEVER ASS'Y		1				
011	251465-1	- FLAT HEAD SCREW M6X32		1				
012-1	192956-2	KEYLESS DRILL CHUCK		1				
013	125088-0	GEAR ASS'Y		1	*			
C10	416629-6	CHANGE LEVER		1	*			
013-1	125105-6	GEAR ASS'Y	X	1				
C10	417381-9	CHANGE LEVER		1				
C20	416630-1	CHANGE RING		1				
014	629729-5	DC MOTOR		1				
C10	226361-2	SPUR GEAR 20		1				
D10		INC. 16,17						
015	911006-2	PAN HEAD SCREW M3X8		1				
016	191971-3	CARBON BRUSH CB-430		1				
017-1	643954-4	BRUSH HOLDER CAP		2				
018	266134-1	TAPPING SCREW ST 4X8		3				
019	265999-8	TAPPING SCREW 4X25		4				
020	183032-3	HOUSING SET		1				
D10		INC. 1,21						
021	819063-3	MAKITA LABEL		1				
A01	122576-8	STOPPER POLE ASS'Y		1				
C10	286226-0	CAP 20		1				
C20	322223-3	DEPTH ROD		1				
A02	824525-8	PLASTIC CARRYING CASE		1				
C10	417075-6	LATCH		2				
A03	414938-7	BATTERY COVER		1				
A04	784637-8	+/- BIT 2-45		2				
A05	122575-0	GRIP ASS'Y		1				
C10	152521-9	GRIP 36 COMPLETE		1				
D10		INC. A06-A09						

Please order the parts with part number.

Print Date 18/6/2019

Model No.6343D CORDLESS DRIVER DRILL 13MM

Item	Parts No.	Description	I/C	Qty	New/Old	Opt. 1	Opt. 2	Note
A06	251812-6	SCREW M5X10		1				
A07	416680-6	GRIP BASE		1				
A08	921919-9	HEX. BOLT M8X110		1				
A09	931202-6	HEX. NUT M5		1				
A10A	192827-3	BATTERY 1822 SET		1				
A10C	192827-3	BATTERY 1822 SET		1				
A10E	193061-8	BATTERY 1835 SET		1				
A10F	193102-0	NI-MH(2.6A) BATTERY 1834 SET		1				
A10G	193102-0	NI-MH(2.6A) BATTERY 1834 SET		1				
E01C	414938-7	BATTERY COVER		1				
E01E	414938-7	BATTERY COVER		1				
E01F	414938-7	BATTERY COVER		1				
E02C	192827-3	BATTERY 1822 SET		1				
E04E	193061-8	BATTERY 1835 SET		1				
E07F	193102-0	NI-MH(2.6A) BATTERY 1834 SET		1				

Please order the parts with part number.

Print Date 18/6/2019