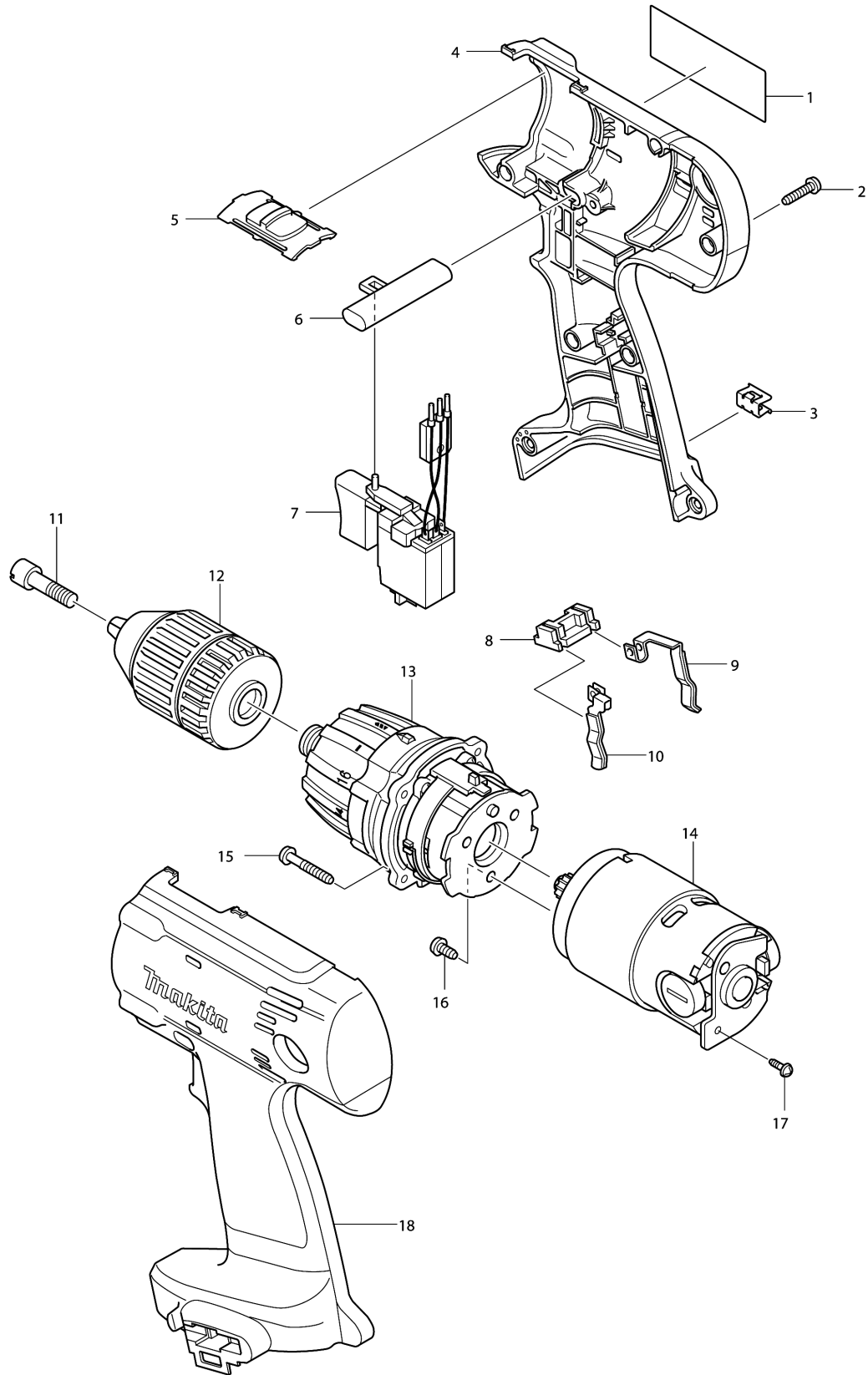


Model No.6336D CORDLESS DRIVER DRILL 13MM



Model No.6336D CORDLESS DRIVER DRILL 13MM

Item	Parts No.	Description	I/C	Qty	New/Old	Opt. 1	Opt. 2	Note
001	851487-7	NAME PLATE 6336D		1				
002	266130-9	TAPPING SCREW BIND PT 3X16		8				
003	344391-2	BIT HOLDER		2				
004	183078-9	HOUSING SET		1	*			
D10		INC. 18			*			
004-1	183490-3	HOUSING SET	<	1				
C10	819063-3	MAKITA LABEL		1				
D10		INC. 18						
005	125091-1	SPEED CHANGE LEVER ASS'Y		1				
C10	231433-0	COMPRESSION SPRING 4		2				
006	416079-5	F/R CHANGE LEVER		1				
007A	651939-6	SWITCH C3LA-1A		1	*			
007B	651939-6	SWITCH C3LA-1A		1	*			
007E	651939-6	SWITCH C3LA-1A		1	*			
007F	651939-6	SWITCH C3LA-1A		1				
007-1A	651939-6	SWITCH C3LA-1A	O	1				
007-1B	651939-6	SWITCH C3LA-1A	O	1				
007-1E	651939-6	SWITCH C3LA-1A	O	1				
008	687085-9	HOLDER		1				
009	654168-0	SPRING TERMINAL (+)		1	*			
009-1	654168-0	SPRING TERMINAL (+)	<	1				
010	654169-8	SPRING TERMINAL (-)		1	*			
010-1	654169-8	SPRING TERMINAL (-)	<	1				
011	251465-1	- FLAT HEAD SCREW M6X32		1	*			
011-1	251464-3	- FLAT HEAD SCREW M6X22	S	1				
012F	192956-2	KEYLESS DRILL CHUCK		1	*			
012-1A	192956-2	KEYLESS DRILL CHUCK		1	*			
012-1B	192956-2	KEYLESS DRILL CHUCK		1	*			
012-1E	192956-2	KEYLESS DRILL CHUCK		1	*			
012-1F	193616-9	KEYLESS DRILL CHUCK 13 SET	S	1				
012-2A	193616-9	KEYLESS DRILL CHUCK 13 SET	S	1				
012-2B	193616-9	KEYLESS DRILL CHUCK 13 SET	S	1				
012-2E	193616-9	KEYLESS DRILL CHUCK 13 SET	S	1				
013A	125088-0	GEAR ASS'Y		1	*			
C10	416629-6	CHANGE LEVER		1	*			
013B	125088-0	GEAR ASS'Y		1	*			
C10	416629-6	CHANGE LEVER		1	*			
013E	125088-0	GEAR ASS'Y		1	*			
C10	416629-6	CHANGE LEVER		1	*			
013F	125105-6	GEAR ASS'Y		1				

Please order the parts with part number.

Print Date 18/6/2019

Model No.6336D CORDLESS DRIVER DRILL 13MM

Item	Parts No.	Description	I/C	Qty	New/Old	Opt. 1	Opt. 2	Note
C10	417381-9	CHANGE LEVER		1				
C20	416630-1	CHANGE RING		1				
013-1A	125105-6	GEAR ASS'Y	X	1				
C10	417381-9	CHANGE LEVER		1				
C20	416630-1	CHANGE RING		1				
013-1B	125105-6	GEAR ASS'Y	X	1				
C10	417381-9	CHANGE LEVER		1				
C20	416630-1	CHANGE RING		1				
013-1E	125105-6	GEAR ASS'Y	X	1				
C10	417381-9	CHANGE LEVER		1				
C20	416630-1	CHANGE RING		1				
014	629734-2	DC MOTOR 14.4V		1				
C10	226361-2	SPUR GEAR 20		1				
C20	191971-3	CARBON BRUSH CB-430		1				
C30	643929-3	BRUSH HOLDER CAP		2				
015	265999-8	TAPPING SCREW 4X25		4				
016	266134-1	TAPPING SCREW ST 4X8		3				
017	911006-2	PAN HEAD SCREW M3X8		1				
018	183078-9	HOUSING SET		1	*			
D10		INC. 4			*			
018-1	183490-3	HOUSING SET	<	1				
C10	819063-3	MAKITA LABEL		1				
D10		INC. 4						
A01F	784637-8	+/- BIT 2-45		2				
A03A	414938-7	BATTERY COVER		1				
A03B	414938-7	BATTERY COVER		1				
A03E	414938-7	BATTERY COVER		2				
A04A	784637-8	+/- BIT 2-45		2				
A04B	784637-8	+/- BIT 2-45		2				
A04E	784637-8	+/- BIT 2-45		2				
A05A	824525-8	PLASTIC CARRYING CASE		1	*			
C10	417075-6	LATCH		2	*			
A05B	824525-8	PLASTIC CARRYING CASE		1	*			
C10	417075-6	LATCH		2	*			
A05E	824525-8	PLASTIC CARRYING CASE		1	*			
C10	417075-6	LATCH		2	*			
A05-1A	824626-2	PLASTIC CARRYING CASE	<	1				
C10	419655-4	LATCH		2				
A05-1B	824626-2	PLASTIC CARRYING CASE	<	1				
C10	419655-4	LATCH		2				
A05-1E	824626-2	PLASTIC CARRYING CASE	<	1				
C10	419655-4	LATCH		2				

Please order the parts with part number.

Print Date 18/6/2019

Model No.6336D CORDLESS DRIVER DRILL 13MM

Item	Parts No.	Description	I/C	Qty	New/Old	Opt. 1	Opt. 2	Note
A06A_B	192699-6	NI-MH(2.2A) BATTERY 1433		1				
A06C_A	192600-1	HIGH CAPACITY BATTERY 1422 SET		1				
A06F_E	193101-2	NI-MH(2.6A) BATTERY 1434 SET		2				

Please order the parts with part number.

Print Date 18/6/2019