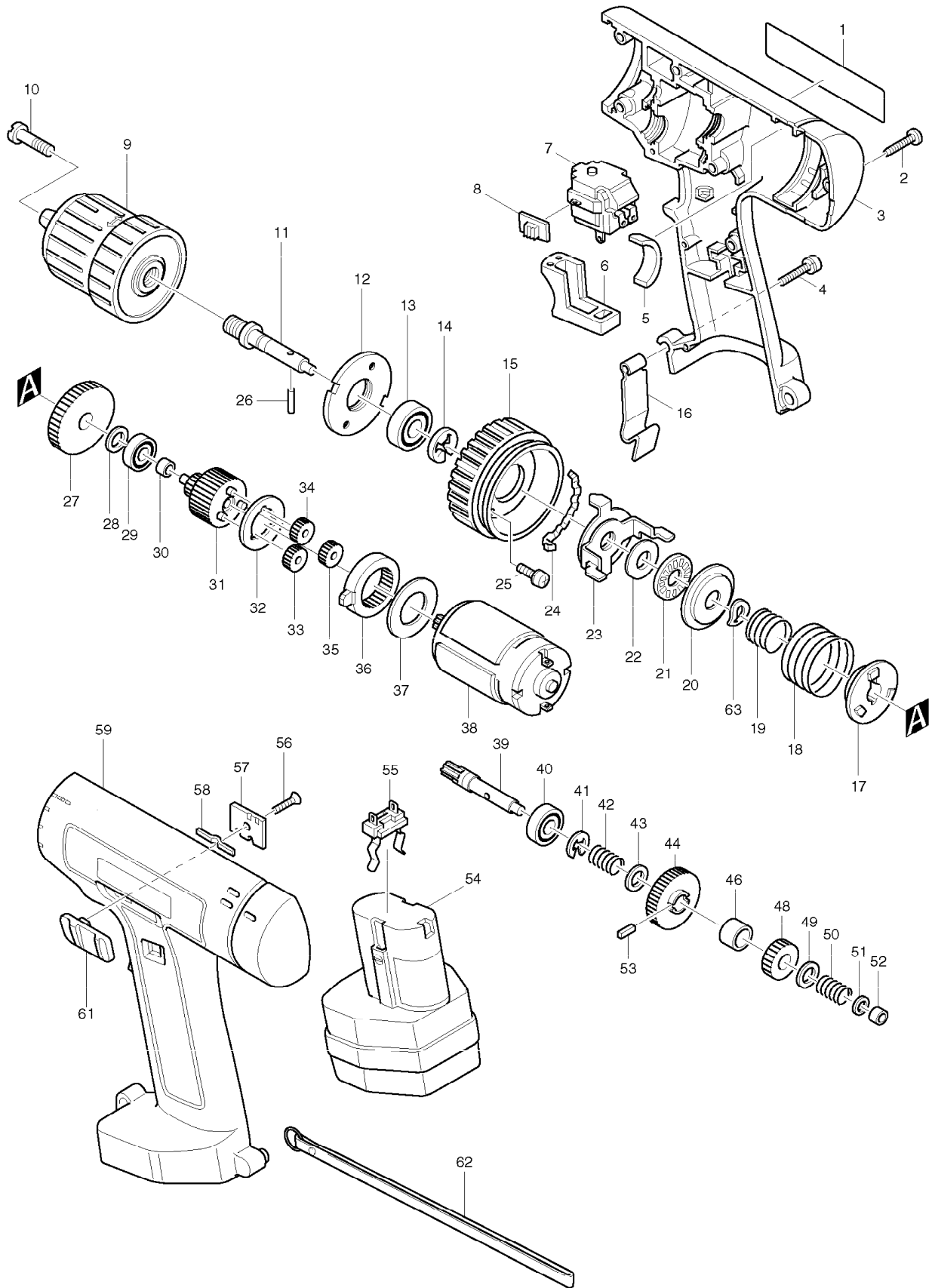


SERVICE DRAWING

MODEL NO. 6311D



SPARE PARTS LIST

MODEL NO. 6311D

ITEM	PART NO.	DESCRIPTION	QTY	NOTE
001	857037-6	NAME PLATE 6311D	1	
002	265995-6	TAPPING SCREW 4X18	7	
003	182878-4	HOUSING SET	1	
004	911143-2	PAN HEAD SCREW M4X22	1	
005	835244-1	SPONGE 14-72	2	
006	415671-4	SWITCH LEVER	1	
007	*****	*****	***	*****
008	414740-8	LEVER	1	
009	192284-5	LOCKING KEYLESS CHUCK 13	1	
010	251425-3	- FLAT HEAD SCREW M6X22	1	
011	322540-1	SPINDLE	1	
012	285674-0	BEARING RETAINER 17	1	
013	211061-7	BALL BEARING 6000LLB	1	
014	961015-1	STOP RING E-9	1	
015	415013-2	CHANGE RING	1	
016	343579-1	SET PLATE	1	
017	223090-8	CLUTCH CAM	1	
018	233044-7	COMPRESSION SPRING 27	1	
019	233061-7	COMPRESSION SPRING 22	1	
020	267705-7	WASHER 10	1	
021	216401-4	THRUST NEEDLE CAGE 1023	1	
022	253180-3	FLAT WASHER 10	1	
023	165024-4	SLIDER	1	
024	343976-1	CAM PLATE	2	
025	911118-1	PAN HEAD SCREW M4X12	2	
026	256054-7	PIN 4	1	
027	226250-1	SPUR GEAR 49	1	
028	267100-1	FLAT WASHER 6	1	
029	211016-2	BALL BEARING 626LLB	1	
030	214019-5	PLANE BEARING 4	1	
031	153213-3	GEAR COMPLETE	1	
032	267098-2	FLAT WASHER 16	1	
033	226245-4	SPUR GEAR 15	1	
034	226245-4	SPUR GEAR 15	1	
035	226245-4	SPUR GEAR 15	1	
036	226248-8	INTERNAL GEAR 48	1	
037	253794-8	FLAT WASHER 18	1	
038	629636-2	DC MOTOR 12V	1	
039	226253-5	SPUR GEAR 8	1	
040	211031-6	BALL BEARING 608LLB	1	
041	961013-5	STOP RING E-7	1	
042	233041-3	COMPRESSION SPRING 8	1	
043	253339-2	THIN WASHER 8	1	
044	226292-5	SPUR GEAR 40	1	
045	253346-5	THIN WASHER	1	Q42550(1001-)
046	257178-2	RING 12	1	
047	253346-5	THIN WASHER	1	Q42550(1001-)
048	226261-6	SPUR GEAR 25	1	
049	253339-2	THIN WASHER 8	1	
050	233041-3	COMPRESSION SPRING 8	1	
051	267099-0	FLAT WASHER 4	1	
052	214019-5	PLANE BEARING 4	1	
053	254236-5	KEY 3	1	
054	192536-4	BATTERY 1202	1	
055	643909-9	BATTERY HOLDER	1	

SPARE PARTS LIST

MODEL NO. 6311D

ITEM	PART NO.	DESCRIPTION	QTY	NOTE
056	265007-5	+COUNTERSUNK HEAD SCREW M4X12	1	
057	343987-6	STOPPER	1	
058	232053-3	LEAF SPRING	1	
059	182878-4	HOUSING SET	1	
060	818057-5	LABEL	1	Q44854(507034-)
061	415014-0	LEVER	1	
062	163319-9	HAND STRAP	1	
063	253932-2	WAVE WASHER 10	1	
A01	343951-7	HOOK	1	
A02	*****	*****	***	*****
A03	*****	*****	***	*****
A04	911101-8	PAN HEAD SCREW M4X6	1	
A05	414938-7	BATTERY COVER	1	