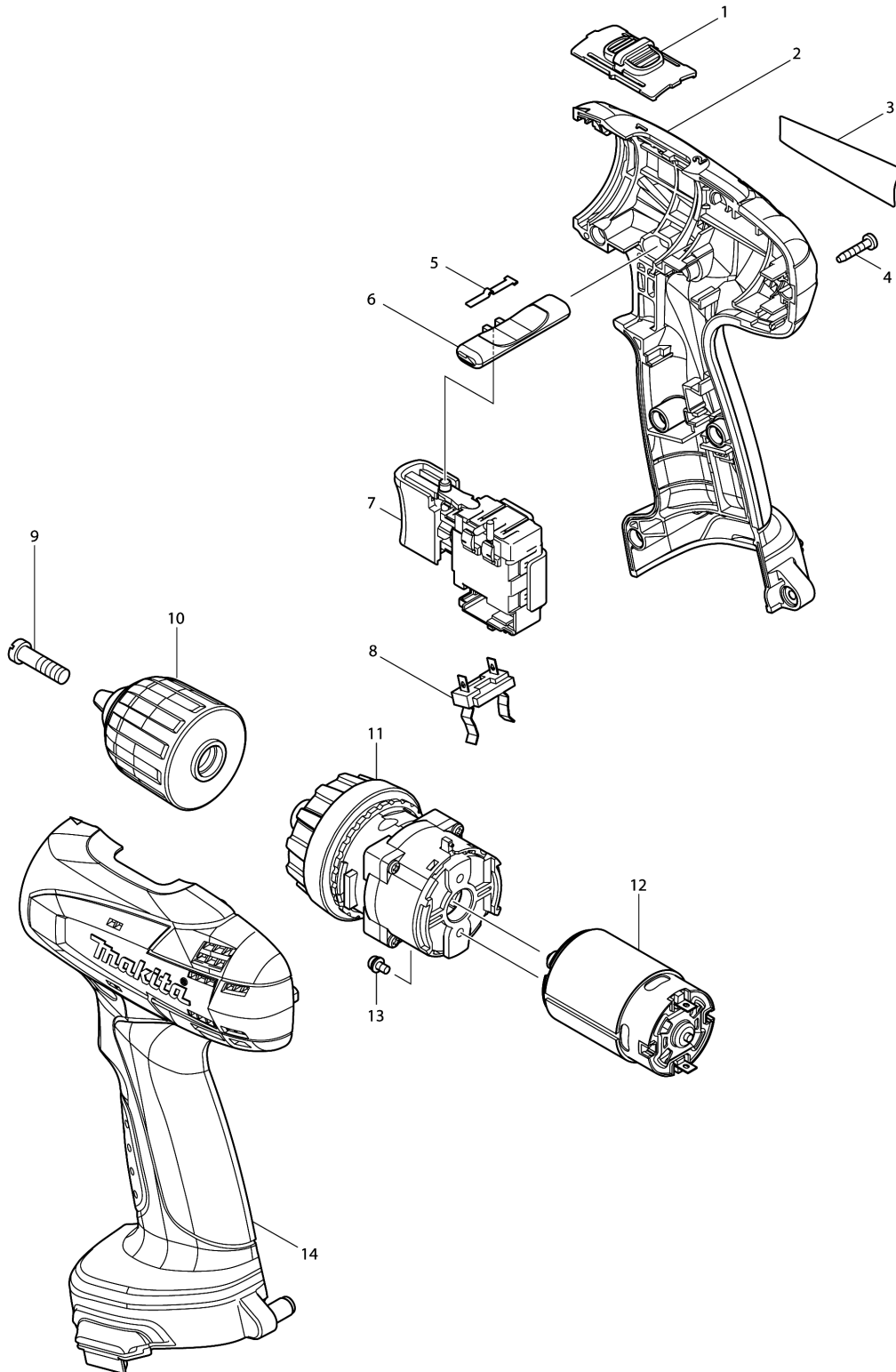


Model No.6271D CORDLESS DRIVER DRILL 10MM



Model No.6271D CORDLESS DRIVER DRILL 10MM

Item	Parts No.	Description	I/C	Qty	New/Old	Opt. 1	Opt. 2	Note
001	125310-5	SPEED CHANGE LEVER ASS'Y		1				
C10	231433-0	COMPRESSION SPRING 4		2				
002	188511-6	HOUSING SET		1	*			
D10		INC. 14			*			
002-1	187300-6	HOUSING SET	<	1				
D10		INC. 14						
003	865151-4	6271D NAME PLATE		1				
004	266130-9	TAPPING SCREW BIND PT 3X16		9				
005	232182-2	LEAF SPRING		1				
006	450584-2	F/R CHANGE LEVER		1				
007	650601-0	SWITCH TG563FSB-2		1	*			
007-1	650601-0	SWITCH TG563FSB-2	O	1	*			
007-2	650663-8	SWITCH TG563FSB-2	<	1	*			
007-3	650672-7	SWITCH TG563FSB-2	<	1	*			
007-4	650672-7	SWITCH TG563FSB-2	O	1				
008	643909-9	BATTERY HOLDER		1				
009	251468-5	- FLAT HEAD SCREW M6X22		1				
010	766002-3	KEYLESS DRILL CHUCK 10		1				
011	125482-6	GEAR ASS'Y		1				
012	629817-8	DC MOTOR		1				
013	911003-8	PAN HEAD SCREW M3X6		2				
014	188511-6	HOUSING SET		1	*			
D10		INC. 2			*			
014-1	187300-6	HOUSING SET	<	1				
D10		INC. 2						
A01	***DC1414	DC1414 BATTERY CHARGER		1				
A02A	192597-4	BATTERY 1222 SET		2				
A02B	193100-4	NI-MH(2.6A) BATTERY 1234 SET		2				
A02C	193100-4	NI-MH(2.6A) BATTERY 1234 SET		2				
A02D	193981-6	BATTERY PA12 SET		2				
A02E	193981-6	BATTERY PA12 SET		3				
A02F	193981-6	BATTERY PA12 SET		2				
A02G	193981-6	BATTERY PA12 SET		2				
A02H	193981-6	BATTERY PA12 SET		2				
A03A	414938-7	BATTERY COVER		2				
A03B	414938-7	BATTERY COVER		2				
A03C	414938-7	BATTERY COVER		2				
A03D	414938-7	BATTERY COVER		2				
A03E	414938-7	BATTERY COVER		3				
A03F	414938-7	BATTERY COVER		2				
A03G	414938-7	BATTERY COVER		2				

Please order the parts with part number.

Print Date 18/6/2019

Model No.6271D CORDLESS DRIVER DRILL 10MM

Item	Parts No.	Description	I/C	Qty	New/Old	Opt. 1	Opt. 2	Note
A03H	414938-7	BATTERY COVER		2				
A04	784636-0	+-- BIT 2-65		1				
A05A	824852-3	PLASTIC CARRYING CASE		1				
A05B	824852-3	PLASTIC CARRYING CASE		1				
A05C	824853-1	PLASTIC CARRYING CASE		1				
A05D	824852-3	PLASTIC CARRYING CASE		1				
A05E	824852-3	PLASTIC CARRYING CASE		1				
A05F	824853-1	PLASTIC CARRYING CASE		1				
A05G	193994-7	TOOL CHEST		1				
A05H	194445-3	TOOL CHEST		1				
A06C	345261-8	HOOK PLATE		2				
A06F	345261-8	HOOK PLATE		2				
A07C	417926-3	STRAP G0970200500		1				
A07F	417926-3	STRAP G0970200500		1				
A08C	192749-7	ML120 RECHARGEABLE FLASHLIGHT		1				
D10		INC. A06,A07						
A08F	192749-7	ML120 RECHARGEABLE FLASHLIGHT		1				
D10		INC. A06,A07						
E02	688165-4	LINE FILTER		1				
E03	688164-6	LINE FILTER		1				

Please order the parts with part number.

Print Date 18/6/2019