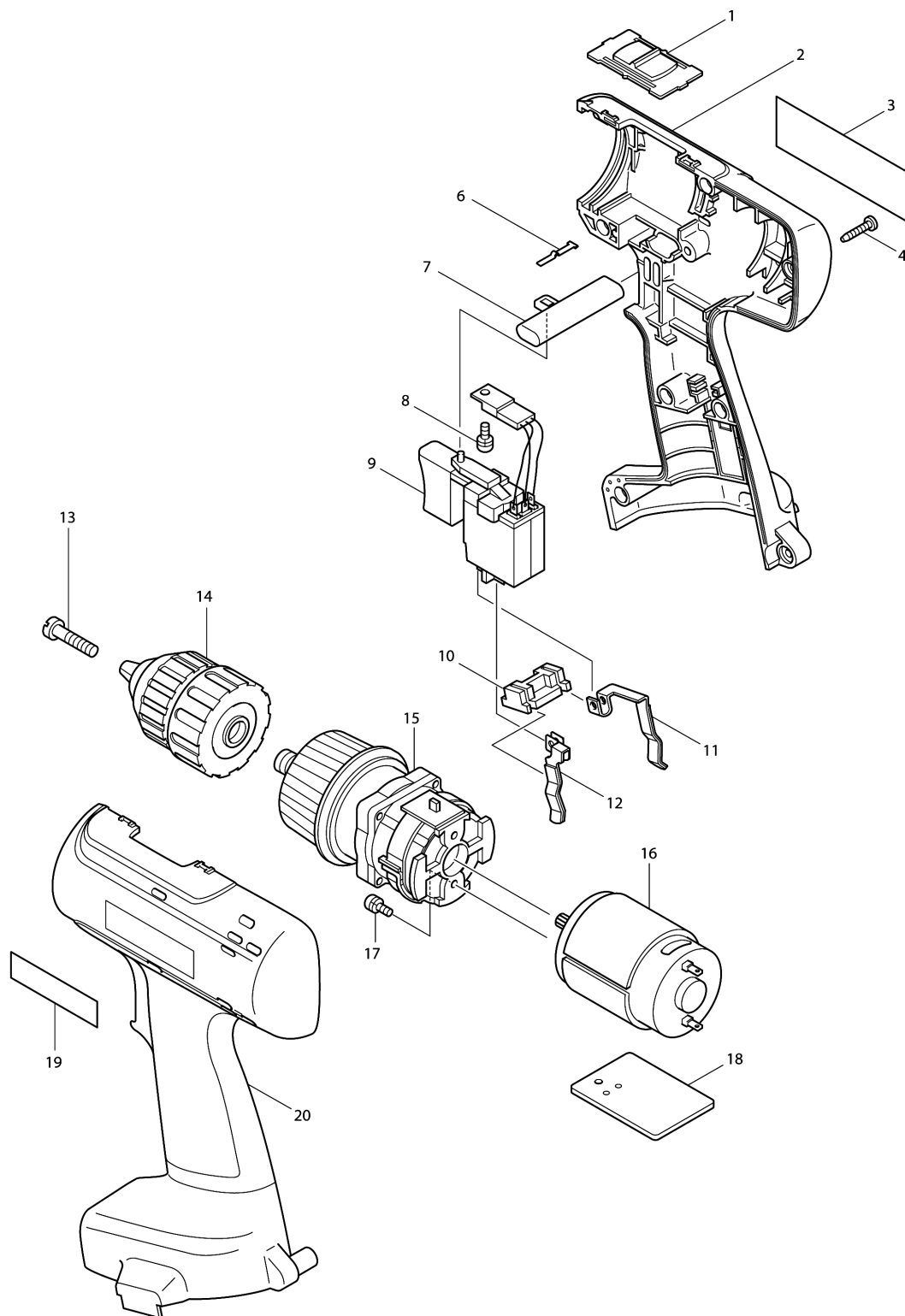


Model No.6228D CORDLESS DRIVER DRILL



Model No.6228D CORDLESS DRIVER DRILL

Item	Parts No.	Description	I/C	Qty	New/Old	Opt. 1	Opt. 2	Note
001	125091-1	SPEED CHANGE LEVER ASS'Y		1				
C10	231433-0	COMPRESSION SPRING 4		2				
002	183212-1	HOUSING SET		1				
D10		INC. 20						
003	852060-6	NAME PLATE 6228D		1	*			
003-1	853921-3	NAME PLATE 6228D	O	1				
004	266130-9	TAPPING SCREW BIND PT 3X16		9				
006	232182-2	LEAF SPRING		1				
007	416079-5	F/R CHANGE LEVER		1				
008	911003-8	PAN HEAD SCREW M3X6		1				
009A	651989-1	SWITCH		1	*			
009B	651989-1	SWITCH		1	*			
009C	651989-1	SWITCH		1	*			
009D	651989-1	SWITCH		1	*			
009-1	651989-1	SWITCH	O	1				
010	687085-9	HOLDER		1				
011	654168-0	SPRING TERMINAL (+)		1	*			
011-1	654168-0	SPRING TERMINAL (+)	<	1				
012	654169-8	SPRING TERMINAL (-)		1	*			
012-1	654169-8	SPRING TERMINAL (-)	<	1				
013	251451-2	- PAN HEAD SCREW M5X22		1				
014	763132-1	KEYLESS DRILL CHUCK 10		1				
015	125087-2	GEAR ASS'Y		1				
C10	416586-8	CHANGE LEVER		1				
016	629752-0	DC MOTOR		1	*			
C10	226359-9	SPUR GEAR 14		1	*			
016-1	629789-7	DC MOTOR	<	1				
C10	226359-9	SPUR GEAR 14		1				
017	911003-8	PAN HEAD SCREW M3X6		2				
018	689092-8	HEAT SINK		1				
019	819063-3	MAKITA LABEL		1				
020	183212-1	HOUSING SET		1				
D10		INC. 2						
A01	414938-7	BATTERY COVER		2				
A02	784636-0	+/- BIT 2-65		1				
A03A	824489-6	PLASTIC CARRYING CASE		1	*			
C10	186347-7	SLIDE LATCH SET		1	*			
A03C	824489-6	PLASTIC CARRYING CASE		1	*			
C10	186347-7	SLIDE LATCH SET		1	*			
A03D	824489-6	PLASTIC CARRYING CASE		1	*			
C10	186347-7	SLIDE LATCH SET		1	*			
A03-1A	824635-1	PLASTIC CARRYING CASE	X	1	*			

Please order the parts with part number.

Print Date 18/6/2019

Model No.6228D CORDLESS DRIVER DRILL

Item	Parts No.	Description	I/C	Qty	New/Old	Opt. 1	Opt. 2	Note
C10	186347-7	SLIDE LATCH SET		1	*			
C20	819143-5	MAKITA LABEL		1	*			
A03-1C	824635-1	PLASTIC CARRYING CASE	X	1				
C10	186347-7	SLIDE LATCH SET		1				
C20	819143-5	MAKITA LABEL		1				
A03-1D	824635-1	PLASTIC CARRYING CASE	X	1				
C10	186347-7	SLIDE LATCH SET		1				
C20	819143-5	MAKITA LABEL		1				
A03-2A	824652-1	PLASTIC CARRYING CASE	<	1				
C10	186347-7	SLIDE LATCH SET		1				
C20	819143-5	MAKITA LABEL		1				
A03A_B	824581-8	PLASTIC CARRYING CASE		1				
C11	417059-4	LATCH		2				
A04A	193062-6	BATTERY 1420 SET		2				
A04B	193062-6	BATTERY 1420 SET		2				
A04D	192600-1	HIGH CAPACITY BATTERY 1422 SET		2				
A04A_C	192699-6	NI-MH(2.2A) BATTERY 1433		2				

Please order the parts with part number.

Print Date 18/6/2019