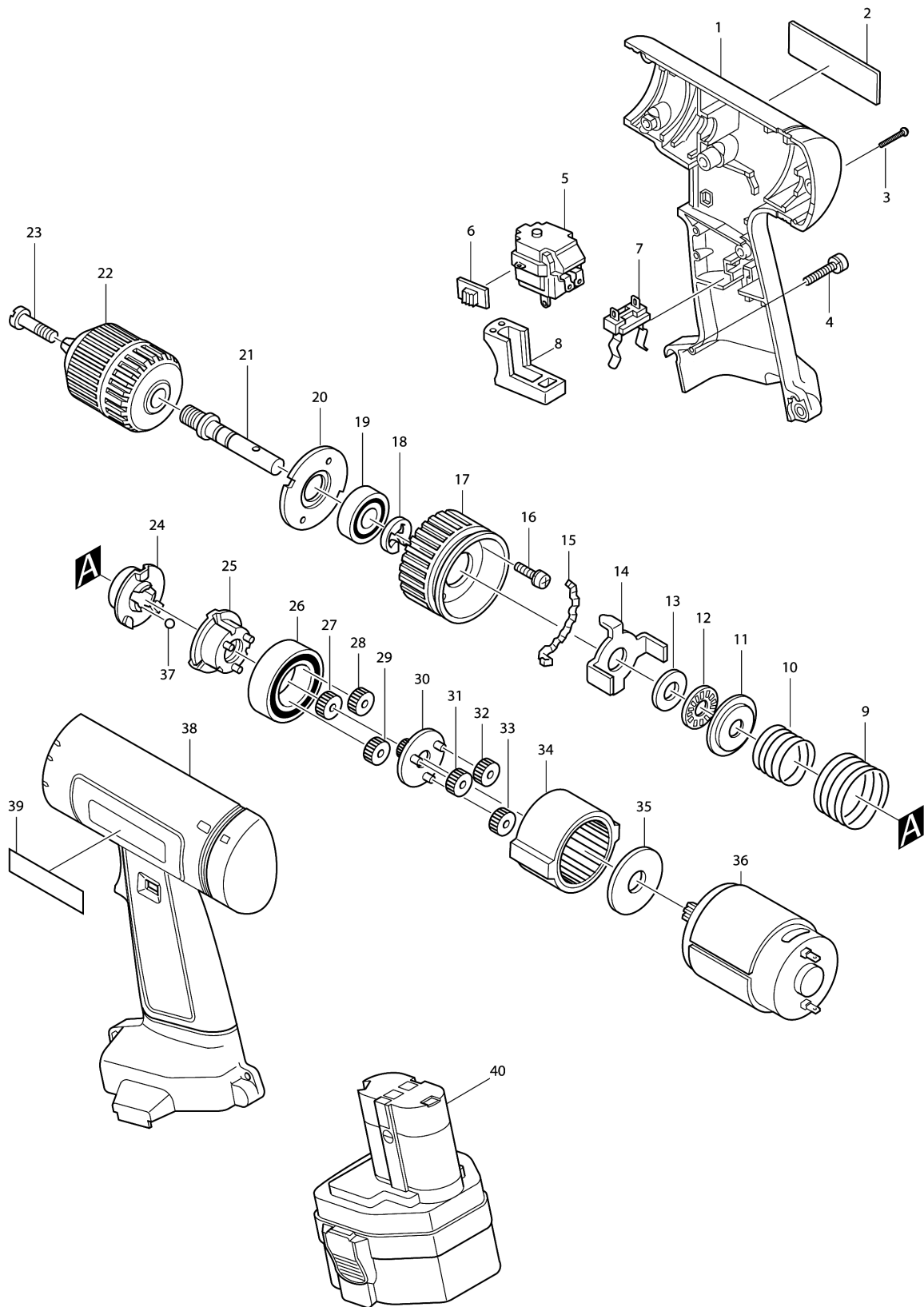


### Model No.6223D CORDLESS DRIVER DRILL





## Model No.6223D CORDLESS DRIVER DRILL

Item	Parts No.	Description	I/C	Qty	New/Old	Opt. 1	Opt. 2	Note
001A_	182996-8	HOUSING SET		1				
D10		INC. 38,39						
002-1	859917-2	NAME PLATE 6223D		1				
003	265995-6	TAPPING SCREW 4X18		6				
004	911143-2	PAN HEAD SCREW M4X22		1				
005	651909-5	SWITCH C3KE		1	*			
005-1	650500-6	SWITCH	O	1				
006	414740-8	LEVER		1				
007	643909-9	BATTERY HOLDER		1				
008	415671-4	SWITCH LEVER		1				
009	233044-7	COMPRESSION SPRING 27		1				
010	233196-4	COMPRESSION SPRING 22		1				
011	267705-7	WASHER 10		1				
012	216401-4	THRUST NEEDLE CAGE 1023		1				
013	253180-3	FLAT WASHER 10		1				
014	165087-0	SLIDER		1				
015	344131-8	CAM PLATE		2				
016	911023-2	PAN HEAD SCREW M3X14		2				
017	415515-8	CHANGE RING		1				
018	961015-1	STOP RING E-9		1				
019	211061-7	BALL BEARING 6000LLB		1				
020	285678-2	BEARING RETAINER 14		1				
021	322880-7	SPINDLE		1				
022	763132-1	KEYLESS DRILL CHUCK 10		1				
023	251451-2	- PAN HEAD SCREW M5X22		1				
024	223115-8	CLUTCH CAM		1				
025	153229-8	CLUTCH CAM COMPLETE		1				
026	211375-4	BALL BEARING 6805LLB		1				
027	226284-4	SPUR GEAR 15		1				
028	226284-4	SPUR GEAR 15		1				
029	226284-4	SPUR GEAR 15		1				
030	153228-0	SPUR GEAR 9 COMPLETE		1				
031	226283-6	SPUR GEAR 15		1				
032	226283-6	SPUR GEAR 15		1				
033	226283-6	SPUR GEAR 15		1				
034	226285-2	INTERNAL GEAR 42		1				
035	267067-3	FLAT WASHER 12		1				
036	629720-3	DC MOTOR		1	*			
C10	226281-0	SPUR GEAR 9		1	*			
036-1	629781-3	DC MOTOR	<	1				
C10	226281-0	SPUR GEAR 9		1				
037	216011-7	STEEL BALL 5.6		3				

Please order the parts with part number.

Print Date 18/6/2019

## Model No.6223D CORDLESS DRIVER DRILL

Item	Parts No.	Description	I/C	Qty	New/Old	Opt. 1	Opt. 2	Note
038A_	182996-8	HOUSING SET		1				
D10		INC. 1,39						
039	819063-3	MAKITA LABEL		1				
040A	192681-5	BATTERY 1220 SET		1				
040B	192698-8	NI-MH(2.2A) BATTERY 1233		1				
040C	192681-5	BATTERY 1220 SET		1				
A01	784636-0	+ - BIT 2-65		1				
A02	824510-1	PLASTIC CARRYING CASE		1				
C10	186347-7	SLIDE LATCH SET		1				
C20	819143-5	MAKITA LABEL		1				
A03	343579-1	SET PLATE		1	*			
A04	414938-7	BATTERY COVER		2				
A05A	192681-5	BATTERY 1220 SET		1				
A05C	192681-5	BATTERY 1220 SET		1				
A05A_B	192698-8	NI-MH(2.2A) BATTERY 1233		1				
B01A	***DC1290	DC1290 FAST CHARGER		1	*			
B01B	***DC1411	DC1411 FAST CHARGER		1	*			
B01C	***DC1290	DC1290 FAST CHARGER		1	*			
B01-1A	***DC1470	DC1470 BATTERY CHARGER	O	1	*			
B01-1B	***DC1413	DC1413 BATTERY CHARGER	<	1	*			
B01-1C	***DC1470	DC1470 BATTERY CHARGER	O	1	*			
B01-2A	***DC1414	DC1414 BATTERY CHARGER	<	1				
B01-2B	***DC1414	DC1414 BATTERY CHARGER	O	1				
B01-2C	***DC1414	DC1414 BATTERY CHARGER	<	1				

Please order the parts with part number.

Print Date 18/6/2019