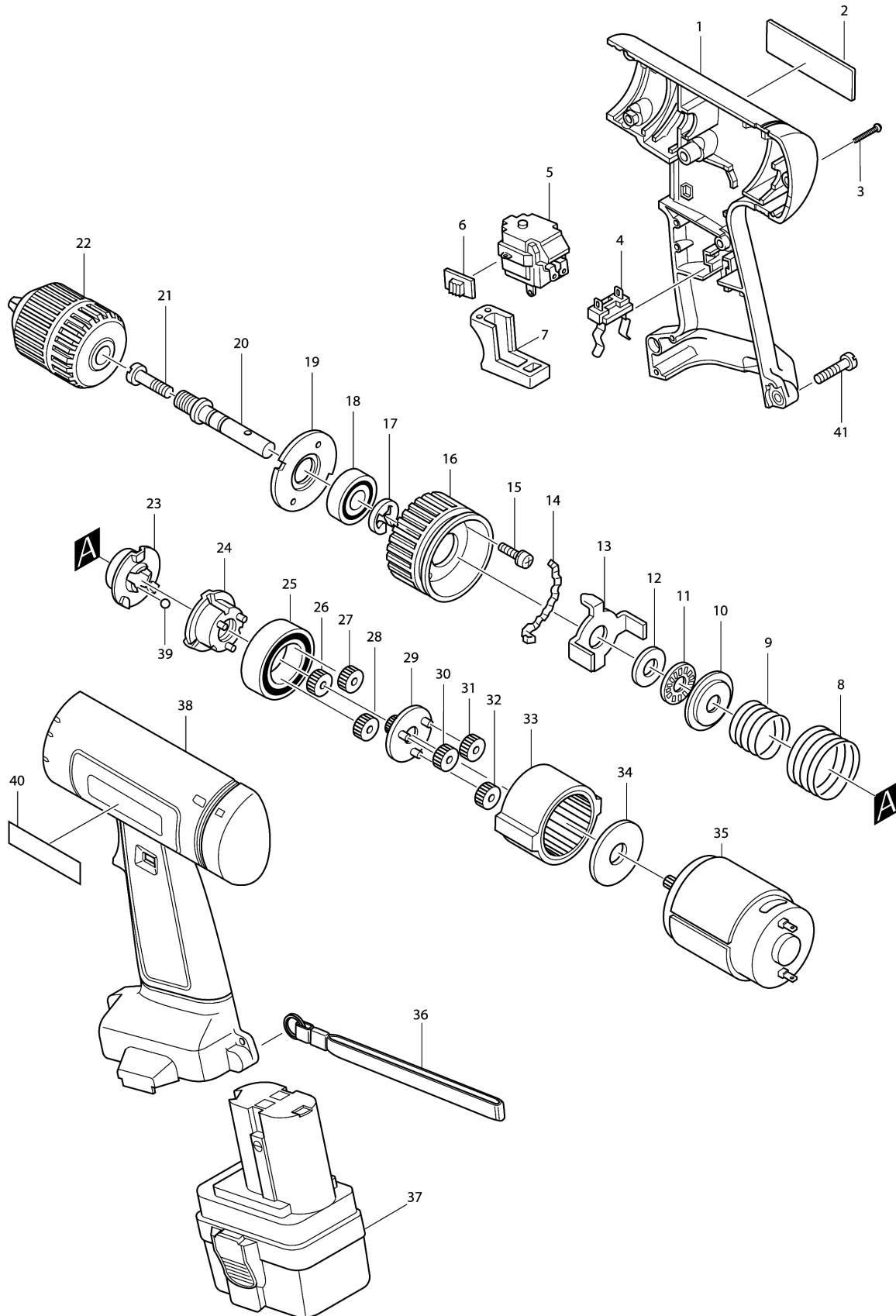


Model No.6222D CORDLESS DRIVER DRILL



Model No.6222D CORDLESS DRIVER DRILL

Item	Parts No.	Description	I/C	Qty	New/Old	Opt. 1	Opt. 2	Note
001	182916-2	HOUSING SET		1	*			
D10		INC. 38			*			
001-1	183042-0	HOUSING SET	X	1				
D10		INC. 38,40						
002-1	859923-7	NAME PLATE 6222D		1				
003	265995-6	TAPPING SCREW 4X18		7	*			
003-1	265995-6	TAPPING SCREW 4X18	O	6				
004	643909-9	BATTERY HOLDER		1				
005	651909-5	SWITCH C3KE		1	*			
005-1	650500-6	SWITCH	O	1				
006	414740-8	LEVER		1				
007	415671-4	SWITCH LEVER		1				
008	233044-7	COMPRESSION SPRING 27		1				
009	233196-4	COMPRESSION SPRING 22		1				
010	267705-7	WASHER 10		1				
011	216401-4	THRUST NEEDLE CAGE 1023		1				
012	253180-3	FLAT WASHER 10		1				
013	165087-0	SLIDER		1				
014	344131-8	CAM PLATE		2				
015	911023-2	PAN HEAD SCREW M3X14		2				
016	415515-8	CHANGE RING		1				
017	961015-1	STOP RING E-9		1				
018	211061-7	BALL BEARING 6000LLB		1				
019	285678-2	BEARING RETAINER 14		1				
020	322880-7	SPINDLE		1				
021	251451-2	- PAN HEAD SCREW M5X22		1				
022-1	763132-1	KEYLESS DRILL CHUCK 10		1				
023	223115-8	CLUTCH CAM		1				
024	153229-8	CLUTCH CAM COMPLETE		1				
C10	256157-7	PIN 3		3				
025	211375-4	BALL BEARING 6805LLB		1				
026	226284-4	SPUR GEAR 15		1				
027	226284-4	SPUR GEAR 15		1				
028	226284-4	SPUR GEAR 15		1				
029	153228-0	SPUR GEAR 9 COMPLETE		1				
030	226283-6	SPUR GEAR 15		1				
031	226283-6	SPUR GEAR 15		1				
032	226283-6	SPUR GEAR 15		1				
033	226285-2	INTERNAL GEAR 42		1				
034	267067-3	FLAT WASHER 12		1				
035	629694-8	DC MOTOR 9.6V		1				
C10	226281-0	SPUR GEAR 9		1				

Please order the parts with part number.

Print Date 18/6/2019

Model No.6222D CORDLESS DRIVER DRILL

Item	Parts No.	Description	I/C	Qty	New/Old	Opt. 1	Opt. 2	Note
037A	192638-6	BATTERY 9120 SET		1				
037A_D	192697-0	NI-MH(2.2A) BATTERY 9133		1				
038	182916-2	HOUSING SET		1	*			
D10		INC. 1			*			
038-1	183042-0	HOUSING SET	X	1				
D10		INC. 1,40						
039	216011-7	STEEL BALL 5.6		3				
040	819063-3	MAKITA LABEL		1				
041	911143-2	PAN HEAD SCREW M4X22		1				
A01	414938-7	BATTERY COVER		2				
A02A	192638-6	BATTERY 9120 SET		1				
A02A_D	192697-0	NI-MH(2.2A) BATTERY 9133		1				
A03	784202-3	PHILLIPS BIT 2-45		1	*			
A03-1	784202-3	PHILLIPS BIT 2-45	O	1	*			
A03-2	784202-3	PHILLIPS BIT 2-45	O	1				
A04A	824447-2	PLASTIC CARRYING CASE		1	*			
C10	186347-7	SLIDE LATCH SET		1	*			
A04-1A	824715-3	PLASTIC CARRYING CASE	<	1				
C10	186347-7	SLIDE LATCH SET		1				
A04A_D	824492-7	PLASTIC CARRYING CASE(6222DWL)		1				
C10	186347-7	SLIDE LATCH SET		1	*			
C11	417059-4	LATCH	X	2				
B01A	***DC9700	DC9700 FAST CHARGER		1	*			
B01-1A	***DC9710	DC9710 BATTERY CHARGER	O	1	*			
B01-2A	***DC1414	DC1414 BATTERY CHARGER	<	1				

Please order the parts with part number.

Print Date 18/6/2019