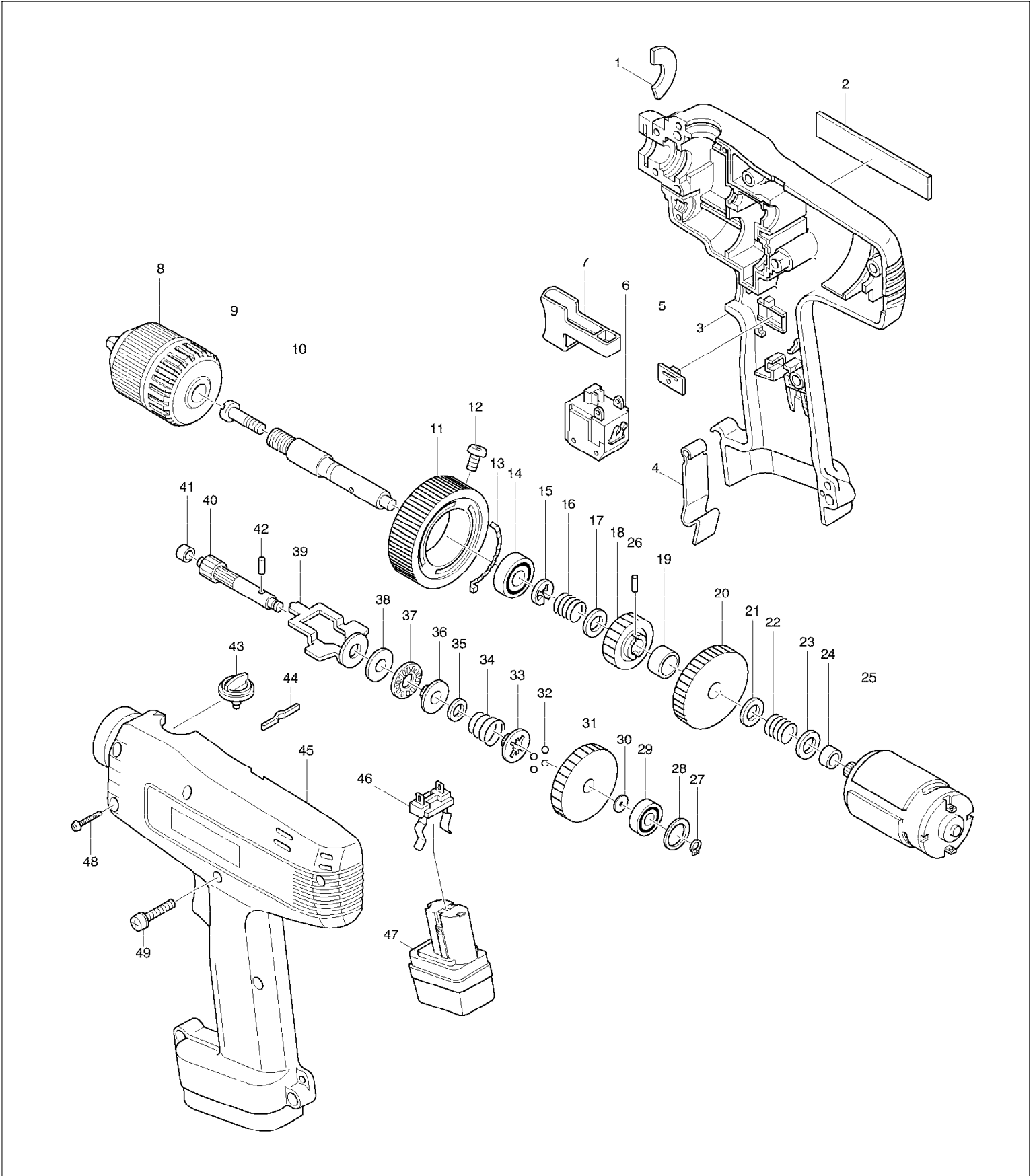


# SERVICE DRAWING

MODEL NO. 6200D



# SPARE PARTS LIST

MODEL NO. 6200D

ITEM	PART NO.	DESCRIPTION	QTY	NOTE
001	343421-6	GUIDE PLATE	2	
002	856593-3	NAME PLATE 6200D	1	
003	182365-3	HOUSING SET	1	
004	343579-1	SET PLATE	1	
005	414610-1	LEVER	1	
006	*****	*****	***	*****
007	414611-9	SWITCH LEVER	1	
008	*****	*****	***	*****
009	251451-2	- PAN HEAD SCREW M5X22	1	
010	321995-7	SPINDLE	1	
011	410936-9	CHANGE RING	1	
012	251322-3	+ PAN HEAD SCREW M5X12	2	
013	343410-1	CAM PLATE	1	
014	211061-7	BALL BEARING 6000LLB	1	
015	961015-1	STOP RING E-9	1	
016	231250-8	COMPRESSION SPRING 10	1	
017	253330-0	THIN WASHER 10	1	
018	221862-5	SPUR GEAR 78	1	
019	257073-6	RING 16	1	
020	226218-7	SPUR GEAR 93	1	
021	253330-0	THIN WASHER 10	1	
022	231250-8	COMPRESSION SPRING 10	1	
023	253807-5	FLAT WASHER 5	1	
024	214017-9	PLANE BEARING 5	1	
025	629605-3	DC MOTOR 9.6/10.8V	1	
026	256101-4	PIN 3	1	
027	961002-0	RETAINING RING S-6	1	
028	253842-3	FLAT WASHER 14	1	
029	211016-2	BALL BEARING 626LLB	1	
030	253804-1	FLAT WASHER 6	1	
031	226233-1	SPUR GEAR 89	1	
032	216011-7	STEEL BALL 5.6	4	
033	223086-9	CLUTCH CAM	1	
034	231927-5	CONICAL COMPR. SPRING 16-21	1	
035	257141-5	RING 8	1	
036	341902-4	DISC	1	
037	216401-4	THRUST NEEDLE CAGE 1023	1	
038	253851-2	FLAT WASHER 8	1	
039	164840-1	SLIDER	1	
040	226062-2	GEAR COMPLETE 12-28	1	
041	214019-5	PLANE BEARING 4	1	
042	256119-5	PIN 3	1	
043	168096-8	SHIFTER	1	
044	232053-3	LEAF SPRING	1	
045	182365-3	HOUSING SET	1	
046	643909-9	BATTERY HOLDER	1	
047	192019-4	BATTERY 9100	1	
048	911163-6	PAN HEAD SCREW M4X35	2	
049	911143-2	PAN HEAD SCREW M4X22	6	
A01	*****	*****	***	*****
A02	182275-4	STEEL CARRYING CASE	1	
A03	414938-7	BATTERY COVER	1	