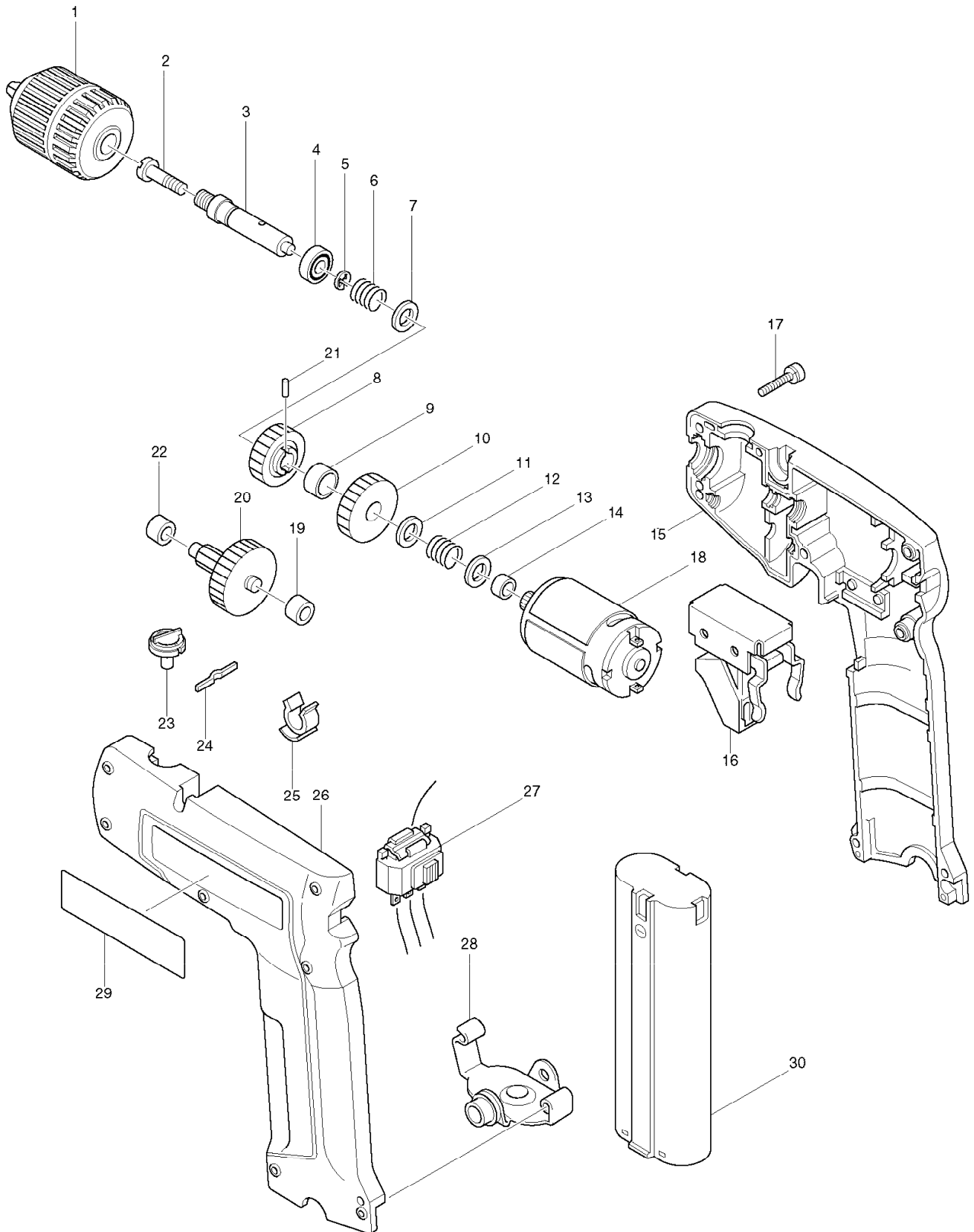


SERVICE DRAWING

MODEL NO. 6072D



SPARE PARTS LIST

MODEL NO. 6072D

ITEM	PART NO.	DESCRIPTION	QTY	NOTE
001	763132-1	KEYLESS DRILL CHUCK 10	1	
002	*****	*****	***	*****
003	321723-0	SPINDLE	1	
004	211061-7	BALL BEARING 6000LLB	1	
005	961015-1	STOP RING E-9	1	
006	231250-8	COMPRESSION SPRING 10	2	
007	253330-0	THIN WASHER 10	1	
008	221861-7	SPUR GEAR 69	1	
009	257073-6	RING 16	1	
010	221862-5	SPUR GEAR 78	1	
011	253330-0	THIN WASHER 10	1	
012	231250-8	COMPRESSION SPRING 10	1	
013	253807-5	FLAT WASHER 5	1	
014	214017-9	PLANE BEARING 5	1	
015	181936-3	HOUSING SET	1	
016	651354-4	SWITCH C3BF-AJ	1	
017	911143-2	PAN HEAD SCREW M4X22	7	
018	*****	*****	***	*****
019	214016-1	PLANE BEARING 3	1	
020	153126-8	GEAR COMPLETE	1	
021	256101-4	PIN 3	1	
022	214016-1	PLANE BEARING 3	1	
023	168097-6	SHIFTER	1	
024	232053-3	LEAF SPRING	1	
025	411640-3	HOLDER 6	1	
026	181936-3	HOUSING SET	1	
027	531057-5	SWITCH ASS'Y C3BC-01	1	
028	*****	*****	***	*****
029	855756-8	NAME PLATE 6072D	1	
030	191679-9	BATTERY 7000	1	