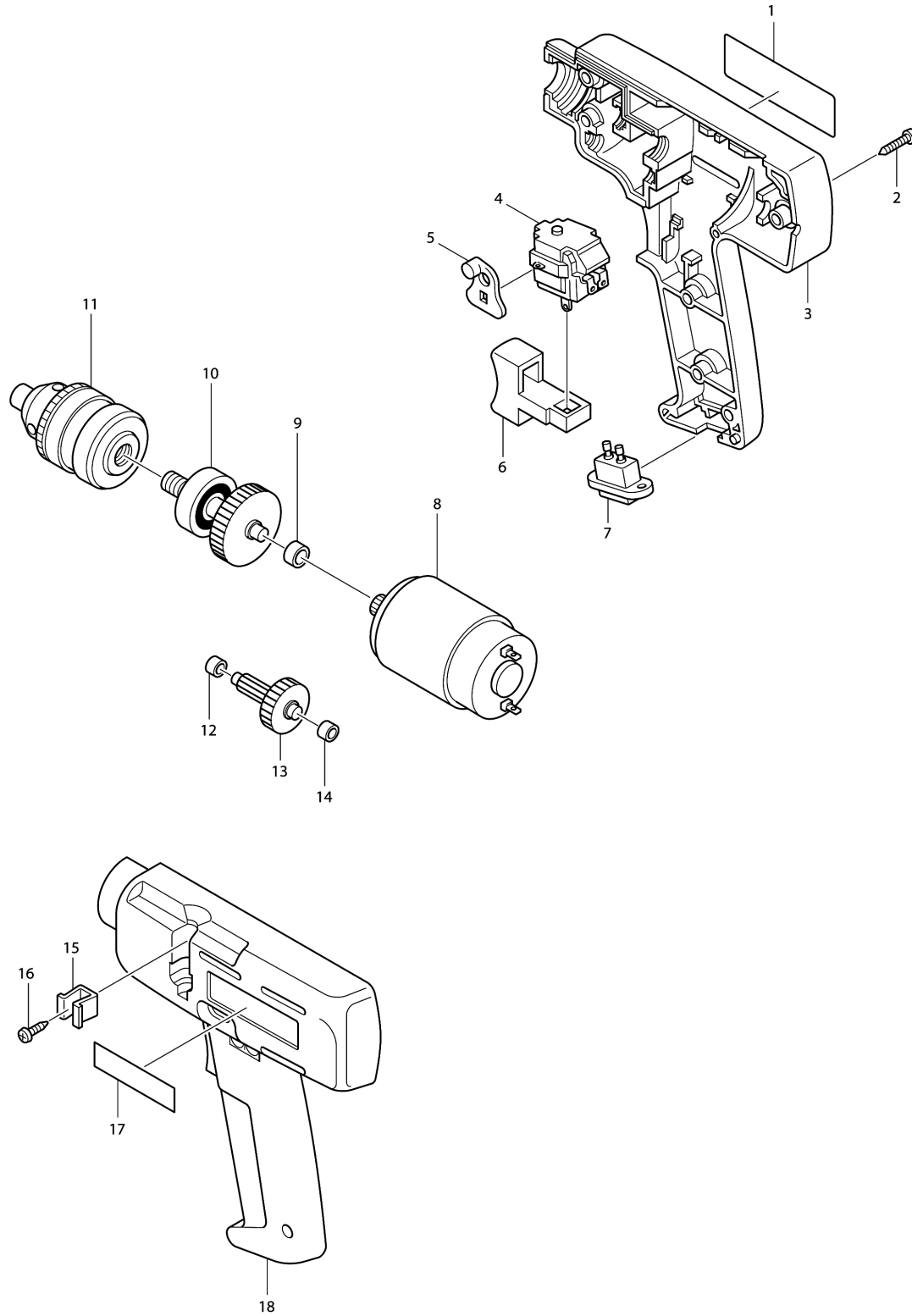


Model No.601D CORDLESS DRIVER DRILL





## Model No.601D CORDLESS DRIVER DRILL

Item	Parts No.	Description	I/C	Qty	New/Old	Opt. 1	Opt. 2	Note
001	857621-7	NAME PLATE 601D		1				
002	265874-8	TAPPING SCREW BT 4X20		5				
003	182686-3	HOUSING SET		1				
C10	816266-0	INDICATION LABEL		1				
D10		INC. 18						
004-1	650500-6	SWITCH		1				
005	415673-0	LEVER		1				
006	415672-2	TRIGGER		1				
007	655409-7	INLET		1				
008	629630-4	DC MOTOR 12V		1				
C10	221851-0	SPUR GEAR 11		1				
009	214017-9	PLANE BEARING 5		1				
010	153212-5	GEAR COMPLETE		1				
011	763054-5	DRILL CHUCK S10		1	*			
011-1	192970-8	DRILL CHUCK	O	1				
012	214019-5	PLANE BEARING 4		1				
013	226113-1	GEAR COMPLETE 11-45		1				
014	214019-5	PLANE BEARING 4		1				
015	343893-5	HOLDER		1				
016	265966-3	TAPPING SCREW BT 3X10		1				
017	819063-3	MAKITA LABEL		1				
018	182686-3	HOUSING SET		1				
C10	816266-0	INDICATION LABEL		1				
D10		INC. 3						
A01	763418-3	CHUCK KEY S10		1				
A02	192493-6	ADAPTER CORD NO.1		1	*			
A02-1	667979-4	CONNECTION CORD	O	1				

Please order the parts with part number.

Print Date 17/6/2019

