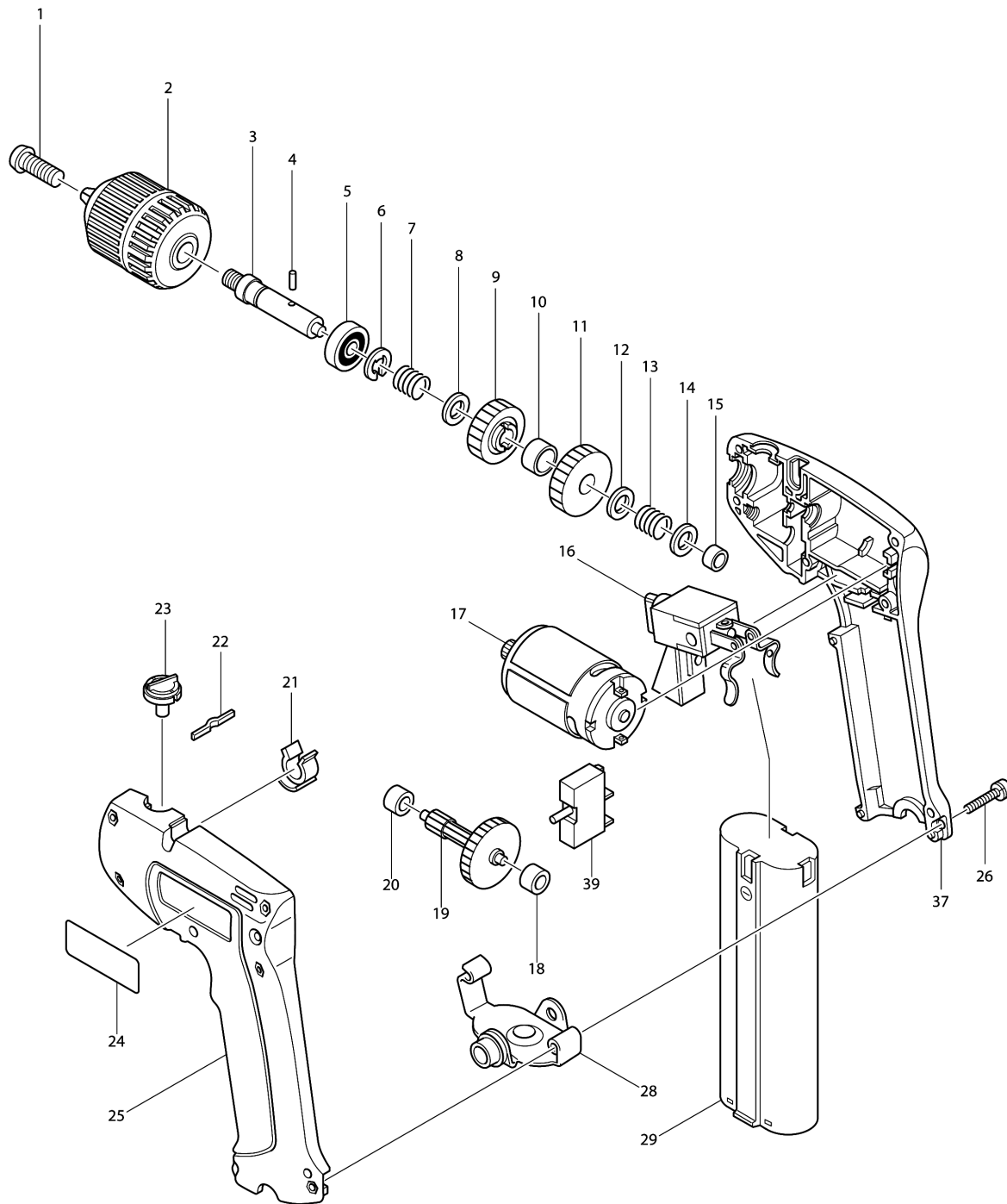


Model No.6015D CORDLESS DRILL 10MM



Model No.6015D CORDLESS DRILL 10MM

| Item | Parts No. | Description | I/C | Qty | New/Old | Opt. 1 | Opt. 2 | Note |
|-------|-----------|-------------------------|-----|-----|---------|--------|--------|------|
| 001 | 251448-1 | - PAN HEAD SCREW M5X18 | | 1 | | | | |
| 002 | 192016-0 | KEYLESS DRILL CHUCK 10 | | 1 | | | | |
| 003 | 321723-0 | SPINDLE | | 1 | | | | |
| 004 | 256101-4 | PIN 3 | | 1 | | | | |
| 005 | 211061-7 | BALL BEARING 6000LLB | | 1 | | | | |
| 006 | 961015-1 | STOP RING E-9 | | 1 | | | | |
| 007 | 231250-8 | COMPRESSION SPRING 10 | | 1 | | | | |
| 008 | 253330-0 | THIN WASHER 10 | | 1 | | | | |
| 009 | 221861-7 | SPUR GEAR 69 | | 1 | | | | |
| 010 | 257073-6 | RING 16 | | 1 | | | | |
| 011 | 221862-5 | SPUR GEAR 78 | | 1 | | | | |
| 012 | 253330-0 | THIN WASHER 10 | | 1 | | | | |
| 013 | 231250-8 | COMPRESSION SPRING 10 | | 1 | | | | |
| 014 | 253807-5 | FLAT WASHER 5 | | 1 | | | | |
| 015 | 214017-9 | PLANE BEARING 5 | | 1 | | | | |
| 016 | 531059-1 | SWITCH ASS'Y TG60A | | 1 | | | | |
| 017 | 629514-6 | DC MOTOR 7.2V | | 1 | * | | | |
| C10 | 221851-0 | SPUR GEAR 11 | | 1 | * | | | |
| 017-1 | 629801-3 | DC MOTOR 7.2V | < | 1 | | | | |
| C10 | 221851-0 | SPUR GEAR 11 | | 1 | | | | |
| 018 | 214016-1 | PLANE BEARING 3 | | 1 | | | | |
| 019 | 153126-8 | GEAR COMPLETE | | 1 | | | | |
| 020 | 214016-1 | PLANE BEARING 3 | | 1 | | | | |
| 021 | 411640-3 | HOLDER 6 | | 1 | | | | |
| 022 | 232053-3 | LEAF SPRING | | 1 | | | | |
| 023 | 168097-6 | SHIFTER | | 1 | | | | |
| 024 | 851805-9 | NAME PLATE 6015D | | 1 | | | | |
| 025A_ | 181780-8 | HOUSING SET | | 1 | | | | |
| C10 | 816266-0 | INDICATION LABEL | | 1 | | | | |
| C20 | 817682-9 | CAUTION LABEL | | 1 | | | | |
| D10 | | INC. 37 | | | | | | |
| 026 | 911143-2 | PAN HEAD SCREW M4X22 | | 7 | | | | |
| 028 | 163157-9 | SET PLATE | | 1 | * | | | |
| 028-1 | 342833-0 | SET PLATE | O | 1 | | | | |
| 029 | 191679-9 | BATTERY 7000 SET | | 1 | | | | |
| 037A_ | 181780-8 | HOUSING SET | | 1 | | | | |
| C10 | 816266-0 | INDICATION LABEL | | 1 | | | | |
| C20 | 817682-9 | CAUTION LABEL | | 1 | | | | |
| D10 | | INC. 25 | | | | | | |
| 039 | 652532-9 | OVER CURRENT RELAY BC51 | | 1 | | | | |
| A01 | 414938-7 | BATTERY COVER | | 1 | | | | |
| A02 | 784202-3 | PHILLIPS BIT 2-45 | | 1 | * | | | |

Please order the parts with part number.

Print Date 17/6/2019

Model No.6015D CORDLESS DRILL 10MM

| Item | Parts No. | Description | I/C | Qty | New/Old | Opt. 1 | Opt. 2 | Note |
|-------|-----------|------------------------|-----|-----|---------|--------|--------|------|
| A02-1 | 784202-3 | PHILLIPS BIT 2-45 | O | 1 | * | | | |
| A02-2 | 784202-3 | PHILLIPS BIT 2-45 | O | 1 | | | | |
| A03 | 824446-4 | PLASTIC CARRYING CASE | | 1 | * | | | |
| A03-1 | 824621-2 | PLASTIC CARRYING CASE | X | 1 | * | | | |
| A03-2 | 824716-1 | PLASTIC CARRYING CASE | < | 1 | | | | |
| B01 | ***DC9700 | DC9700 FAST CHARGER | | 1 | * | | | |
| B01-1 | ***DC9710 | DC9710 BATTERY CHARGER | O | 1 | * | | | |
| B01-2 | ***DC1414 | DC1414 BATTERY CHARGER | < | 1 | | | | |

Please order the parts with part number.

Print Date 17/6/2019