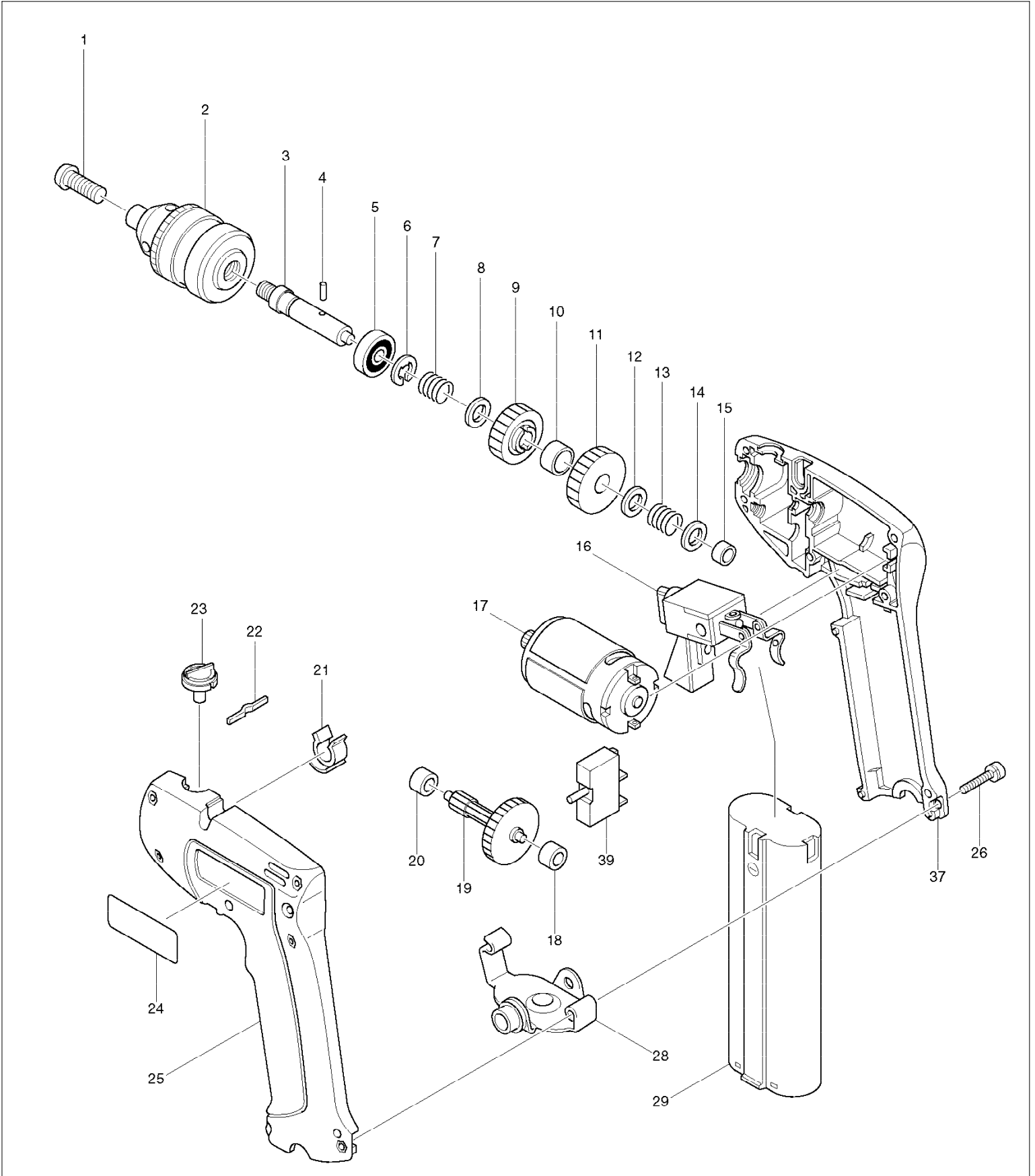


# SERVICE DRAWING

MODEL NO. 6012D



# SPARE PARTS LIST

MODEL NO. 6012D

ITEM	PART NO.	DESCRIPTION	QTY	NOTE
001	251448-1	- PAN HEAD SCREW M5X18	1	
002	*****	*****	***	*****
003	321723-0	SPINDLE	1	
004	256101-4	PIN 3	1	
005	211061-7	BALL BEARING 6000LLB	1	
006	961015-1	STOP RING E-9	1	
007	231250-8	COMPRESSION SPRING 10	1	
008	253330-0	THIN WASHER 10	1	
009	221861-7	SPUR GEAR 69	1	
010	257073-6	RING 16	1	
011	221862-5	SPUR GEAR 78	1	
012	253330-0	THIN WASHER 10	1	
013	231250-8	COMPRESSION SPRING 10	1	
014	253807-5	FLAT WASHER 5	1	
015	214017-9	PLANE BEARING 5	1	
016	531043-6	SWITCH ASS'Y TG60A	1	
017	*****	*****	***	*****
018	214016-1	PLANE BEARING 3	1	
019	153126-8	GEAR COMPLETE	1	
020	214016-1	PLANE BEARING 3	1	
021	411640-3	HOLDER 6	1	
022	232053-3	LEAF SPRING	1	
023	168097-6	SHIFTER	1	
024	815598-2	NAME PLATE 6012D	1	
025	181764-6	HOUSING SET	1	
026	911143-2	PAN HEAD SCREW M4X22	7	
028	*****	*****	***	*****
029	191679-9	BATTERY 7000	1	
037	181764-6	HOUSING SET	1	
039	652532-9	OVER CURRENT RELAY BC51	1	
400	763418-3	CHUCK KEY S10	1	
401	*****	*****	***	*****
402	414938-7	BATTERY COVER	1	
500	*****	*****	***	*****