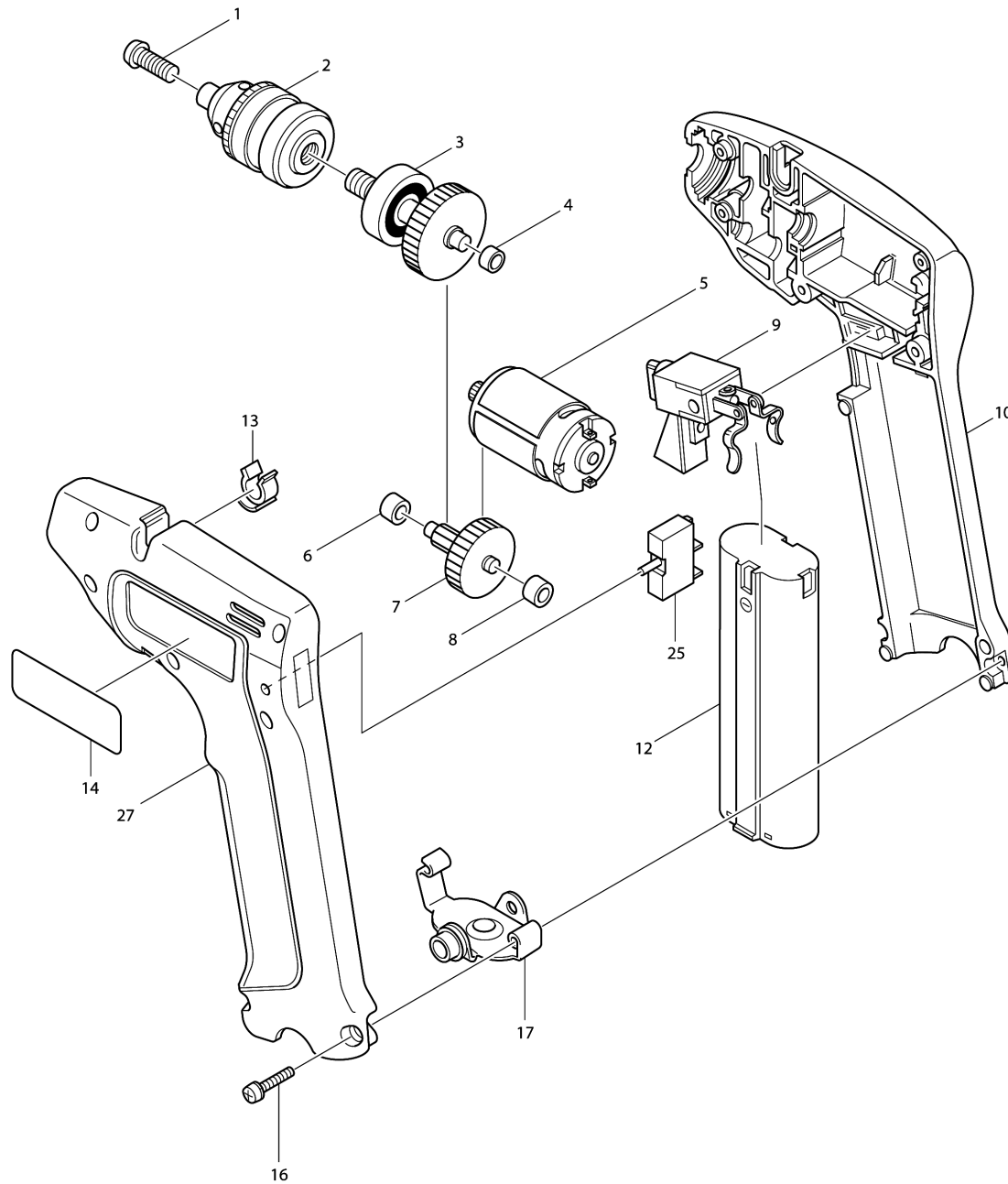


Model No.6010D CORDLESS DRILL 10MM



Model No.6010D CORDLESS DRILL 10MM

Item	Parts No.	Description	I/C	Qty	New/Old	Opt. 1	Opt. 2	Note
001-1	251448-1	- PAN HEAD SCREW M5X18		1				
002	763054-5	DRILL CHUCK S10		1	*			
002-1	192970-8	DRILL CHUCK	O	1				
003-1	153149-6	GEAR COMPLETE		1				
C30	321724-8	SPINDLE		1				
C40	961015-1	STOP RING E-9		1				
004	214017-9	PLANE BEARING 5		1				
005	629514-6	DC MOTOR 7.2V		1	*			
C10	221851-0	SPUR GEAR 11		1	*			
005-1	629801-3	DC MOTOR 7.2V	<	1				
C10	221851-0	SPUR GEAR 11		1				
006	214016-1	PLANE BEARING 3		1				
007	226048-6	GEAR COMPLETE 13-58		1				
008	214016-1	PLANE BEARING 3		1				
009-1	531043-6	SWITCH ASS'Y TG60A		1				
010-3	181686-0	HOUSING SET		1				
C11	816266-0	INDICATION LABEL		1				
C20	817681-1	CAUTION LABEL		1				
D10		INC. 27						
012-1	191679-9	BATTERY 7000 SET		1	*			
012-2	193888-6	BATTERY 7034 SET	<	1				
013	411640-3	HOLDER 6		1				
014	815285-3	NAME PLATE 6010D		1				
016	911143-2	PAN HEAD SCREW M4X22		7				
017	163157-9	SET PLATE		1	*			
017-1	342833-0	SET PLATE	O	1				
025-1	652532-9	OVER CURRENT RELAY BC51		1				
027-3	181686-0	HOUSING SET		1				
C11	816266-0	INDICATION LABEL		1				
C20	817681-1	CAUTION LABEL		1				
D10		INC. 10						
400-1	763418-3	CHUCK KEY S10		1				
401	784202-3	PHILLIPS BIT 2-45		1	*			
401-1	784202-3	PHILLIPS BIT 2-45	O	1	*			
401-2	784202-3	PHILLIPS BIT 2-45	O	1				
402	414938-7	BATTERY COVER		1				

Please order the parts with part number.

Print Date 17/6/2019

