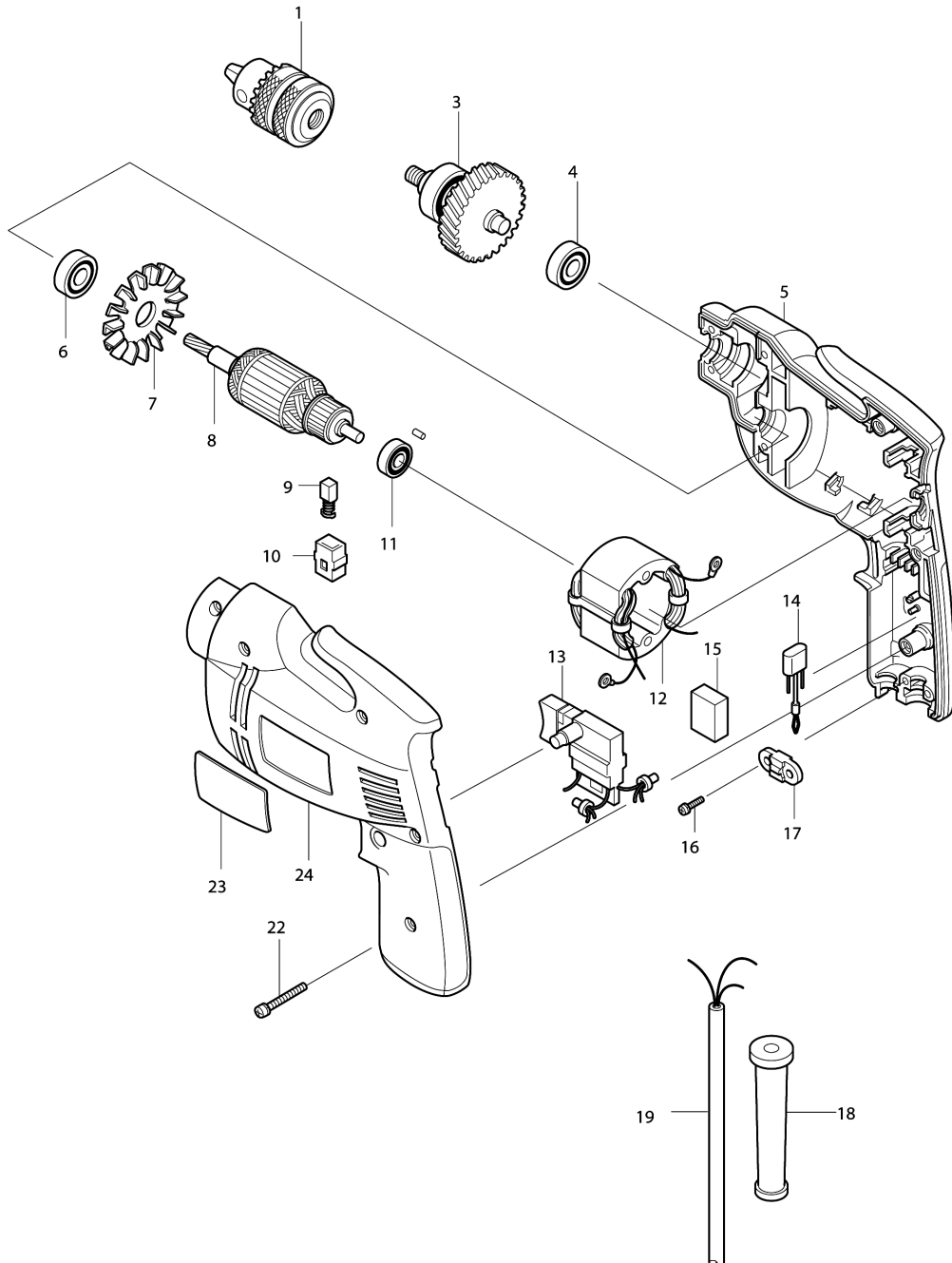


Model No.6010B DRILL 10MM



Model No.6010B DRILL 10MM

Item	Parts No.	Description	I/C	Qty	New/Old	Opt. 1	Opt. 2	Note
001A1	763123-2	KEYLESS DRILL CHUCK 10		1	*			
001A2	763131-3	KEYLESS DRILL CHUCK 10	O	1	*			
001A3	763132-1	KEYLESS DRILL CHUCK 10	O	1				
003	153115-3	GEAR COMPLETE		1				
C10	221646-1	HELICAL GEAR 68		1				
C20	257011-8	RING 12		1				
C30	211119-2	BALL BEARING 6201Z		1				
C40	321078-3	SPINDLE		1				
004	211030-8	BALL BEARING 627Z		1				
005-1	182520-7	HOUSING SET		1				
D10		INC. 24						
006	211030-8	BALL BEARING 627Z		1				
007	241503-7	FAN 52		1				
008C1	511753-1	ARMATURE ASS'Y 220V		1				
D10		INC. 6,7,11						
009B_	191627-8	CARBON BRUSH CB-64		1				
010	643552-4	BRUSH HOLDER 5-8		2				
011	211020-1	BALL BEARING 626Z		1	*			
011-1	210047-8	BALL BEARING 626Z	O	1				
012E_	528622-9	FIELD ASS'Y 220V		1				
C21	654002-4	TERMINAL 1.25-M4		2				
013A1	651315-4	SWITCH SGEL208M		1				
014B_	645173-8	NOISE SUPPRESSOR		1				
016-1	911133-5	PAN HEAD SCREW M4X18		2				
017C1	687031-2	STRAIN RELIEF		1				
018A_	682502-4	CORD GUARD 8-85		1				
019W_	665394-6	POWER SUPPLY CORD 1.0-2-2.5		1				
022	911148-2	PAN HEAD SCREW M4X25		7				
023	855040-1	NAME PLATE 6010B		1				
024-1	182520-7	HOUSING SET		1				
D10		INC. 5						

Please order the parts with part number.

Print Date 12/9/2020