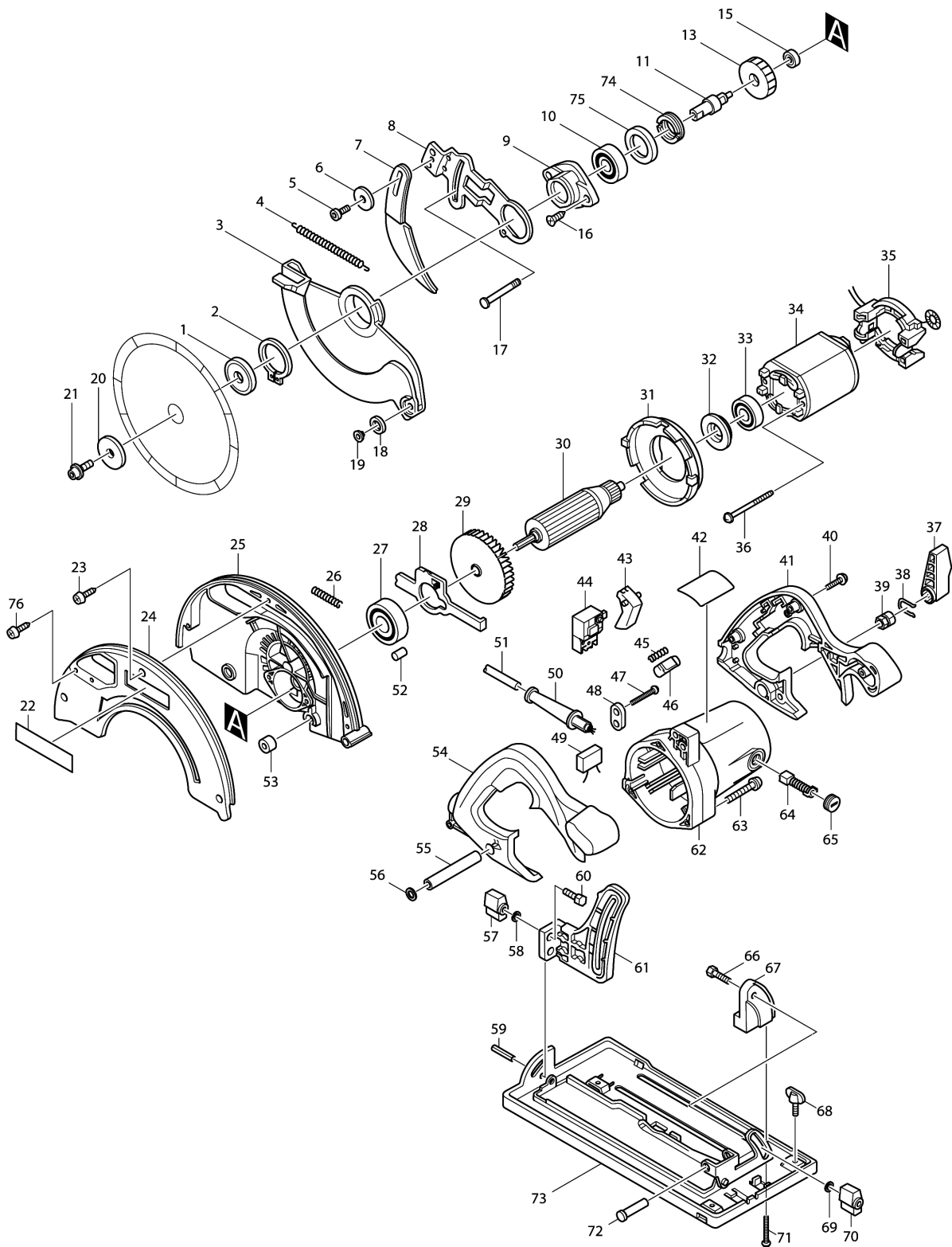


Model No.5703R CIRCULAR SAW 185MM



Model No.5703R CIRCULAR SAW 185MM

Item	Parts No.	Description	I/C	Qty	New/Old	Opt. 1	Opt. 2	Note
001A	224307-2	INNER FLANGE 40		1	*			
001-1	224339-9	INNER FLANGE 40	X	1				
002	961156-3	RETAINING RING S-40		1				
003	316574-4	SAFETY COVER		1	*			
003-1	317439-3	SAFETY COVER	O	1	*			
003-2	317439-3	SAFETY COVER	O	1				
004	231797-2	TENSION SPRING 4		1	*			
004-1	231827-9	TENSION SPRING 4	O	1				
005	922312-0	HEX. SOCKET HEAD BOLT M6X12		1				
006	253783-3	FLAT WASHER 6		1				
007	165094-3	RIVING KNIFE		1	*			
007-1	165623-2	RIVING KNIFE	O	1				
008	344115-6	RIVING KNIFE HOLDER		1	*			
008-1	345733-3	RIVING KNIFE HOLDER	<	1				
009	316683-9	BEARING BOX		1	*			
009-1	316884-9	BEARING BOX	X	1	*			
009-2	317469-4	BEARING BOX	S	1				
010	211129-9	BALL BEARING 6201DDW		1	*			
010-1	211227-9	BALL BEARING 6002DDW	X	1	*			
010-2	211236-8	BALL BEARING 6002DDW	O	1				
011	322675-8	SPINDLE		1	*			
011-1	322922-7	SPINDLE	X	1				
012	254011-9	WOODRUFF KEY 4		1	*			
013	226447-2	HELICAL GEAR 41		1	*			
013-1	226473-1	HELICAL GEAR 41	X	1				
014	267118-2	FLAT WASHER 6		1	*			
015	211019-6	BALL BEARING 626		1	*			
015-1	211034-0	BALL BEARING 608	X	1				
016	265034-2	+ COUNTERSUNK HEAD SCREW M5X16		2				
017	266019-1	CAP SQUARE NECK BOLT M8X98		1				
018	415438-0	ROLLER 20		2				
019	415437-2	ROLLER PIN 6		2				
020	224306-4	OUTER FLANGE 40		1	*			
020-1	224338-1	OUTER FLANGE 40	X	1				
021	266024-8	HEX. SOCKET HEAD BOLT M6X20		1	*			
021-1	266139-1	HEX. SOCKET HEAD BOLT M6X16	X	1				
022	819064-1	MAKITA MARK		1	*			
023	266042-6	TAPPING SCREW BIND CT 4X20		3				
024	316576-0	BLADE CASE COVER		1	*			
024-1	316576-0	BLADE CASE COVER	O	1	*			

Please order the parts with part number.

Print Date 17/6/2019

Model No.5703R CIRCULAR SAW 185MM

Item	Parts No.	Description	I/C	Qty	New/Old	Opt. 1	Opt. 2	Note
024-2	316576-0	BLADE CASE COVER	O	1				
025	152453-0	BLADE CASE COMPLETE		1	*			
D10		INC. 52			*			
025-1	152545-5	BLADE CASE COMPLETE	X	1	*			
D10		INC. 52			*			
025-2	152545-5	BLADE CASE COMPLETE	O	1				
D10		INC. 52						
026	233092-6	COMPRESSION SPRING 5		1				
027	211129-9	BALL BEARING 6201DDW		1				
028	344114-8	SHAFT LOCK		1				
029	241876-8	FAN 76		1				
030C_	516203-1	ARMATURE ASS'Y 220V		1				
D10		INC. 27,29,32,33						
031	415460-7	BAFFLE PLATE		1				
032	681625-5	INSULATION WASHER		1				
033	211031-6	BALL BEARING 608LLB		1	*			
033-1	210005-4	BALL BEARING 608DDW	X	1				
034C_	634213-7	FIELD 220V		1				
035	632503-2	SUPPORT COMPLETE		1	*			
035-1	135793-1	SUPPORT ASS'Y	X	1				
C10	654020-2	RING TERMINAL		2				
C20	654501-6	CONNECTOR P-1.25		2				
036A_	266109-0	TAPPING SCREW FLANGE PF 5X65		2	*			
036A1	266029-8	TAPPING SCREW 5X65	O	2				
037	272230-5	LEVER 54		1				
038	231955-0	RING SPRING 12		1				
039	252141-0	HEX. NUT M8		1				
040A_	266111-3	TAPPING SCREW FLANGE PF 5X25		5	*			
040A1	266041-8	TAPPING SCREW 5X25	O	5				
041	182675-8	HANDLE SET		1				
D10		INC. 54						
042A_	858232-1	NAME PLATE 5703R		1				
043	415439-8	SWITCH LEVER		1				
044	651922-3	SWITCH TG71B		1				
045	231230-4	COMPRESSION SPRING 4		1				
046	415440-3	LOCK-OFF BUTTON		1				
047A_	266121-0	TAPPING SCREW FLANGE PF 4X18		2	*			
047A1	265995-6	TAPPING SCREW 4X18	O	2				
048B_	687063-9	CORD CLAMP		1	*			
048B1	687052-4	STRAIN RELIEF	X	1				
049B_A	645118-6	NOISE SUPPRESSOR		1	*			

Please order the parts with part number.

Print Date 17/6/2019

Model No.5703R CIRCULAR SAW 185MM

Item	Parts No.	Description	I/C	Qty	New/Old	Opt. 1	Opt. 2	Note
049B_B	645118-6	NOISE SUPPRESSOR		1	*			
049B1A	645142-9	NOISE SUPPRESSOR	O	1				
049B1B	645142-9	NOISE SUPPRESSOR	O	1				
050A_	682540-6	CORD GUARD 9.3-90		1				
051M_	665865-3	POWER SUPPLY CORD 1.0-2-2.5		1				
052	263005-3	RUBBER PIN 6		1				
053	262511-5	RUBBER SLEEVE 6		1				
054	182675-8	HANDLE SET		1				
D10		INC. 41						
055	331432-3	PIPE 9		1				
056	941201-0	FLAT WASHER 8		1				
057	252624-0	WING NUT M6		1				
058	941151-9	FLAT WASHER 6		1				
059	951204-6	SPRING PIN 6-16		1				
060	921332-1	HEX. BOLT M6X20		1				
061	316578-6	DEPTH GUIDE		1				
062	159714-9	MOTOR HOUSING COMPLETE		1				
C10	643754-2	BRUSH HOLDER		2	*			
C11	643708-9	BRUSH HOLDER 5-11	O	2				
063	911278-9	PAN HEAD SCREW M5X55		3				
064	191963-2	CARBON BRUSH CB-303		1				
065	643750-0	BRUSH HOLDER CAP 7-11		2				
066	921332-1	HEX. BOLT M6X20		1				
067	415443-7	ANGULAR PLATE GUIDE		1				
068	251887-5	SCREW M6X10		1	*			
068-1	265725-5	WING BOLT M6X10	O	1				
069	941151-9	FLAT WASHER 6		1				
070	252624-0	WING NUT M6		1				
071A_	266121-0	TAPPING SCREW FLANGE PF 4X18		2	*			
071A1	265995-6	TAPPING SCREW 4X18	O	2				
072	256690-9	PIN 10		1				
073	168267-7	BASE		1	*			
073-1	168267-7	BASE	O	1				
074	285831-0	BEARING RETAINER 19-34		1				
075	267126-3	FLAT WASHER 22		1				
076	266026-4	TAPPING SCREW BIND CT 4X12		2				
077	213560-5	O RING 44		1				
A01	165108-8	GUIDE RULE		1				
A02	783203-8	HEX. WRENCH 5		1				
A03	B-02939	T.C.T. SAW BLADE 190MM		1				
E03	192420-3	JOINT		1				

Please order the parts with part number.

Print Date 17/6/2019

Model No.5703R CIRCULAR SAW 185MM

Item	Parts No.	Description	I/C	Qty	New/Old	Opt. 1	Opt. 2	Note
C10	266026-4	TAPPING SCREW BIND CT 4X12		2				
E04B	824606-8	PLASTIC CARRYING CASE		1	*			
C10	183336-3	LATCH SET		1	*			
E04-1B	824964-2	PLASTIC CARRYING CASE	S	1				
C10	162271-8	LATCH		2				
C20	450990-1	HANDLE		1				
E06B	837704-9	INNER TRAY	S	1				

Please order the parts with part number.

Print Date 17/6/2019