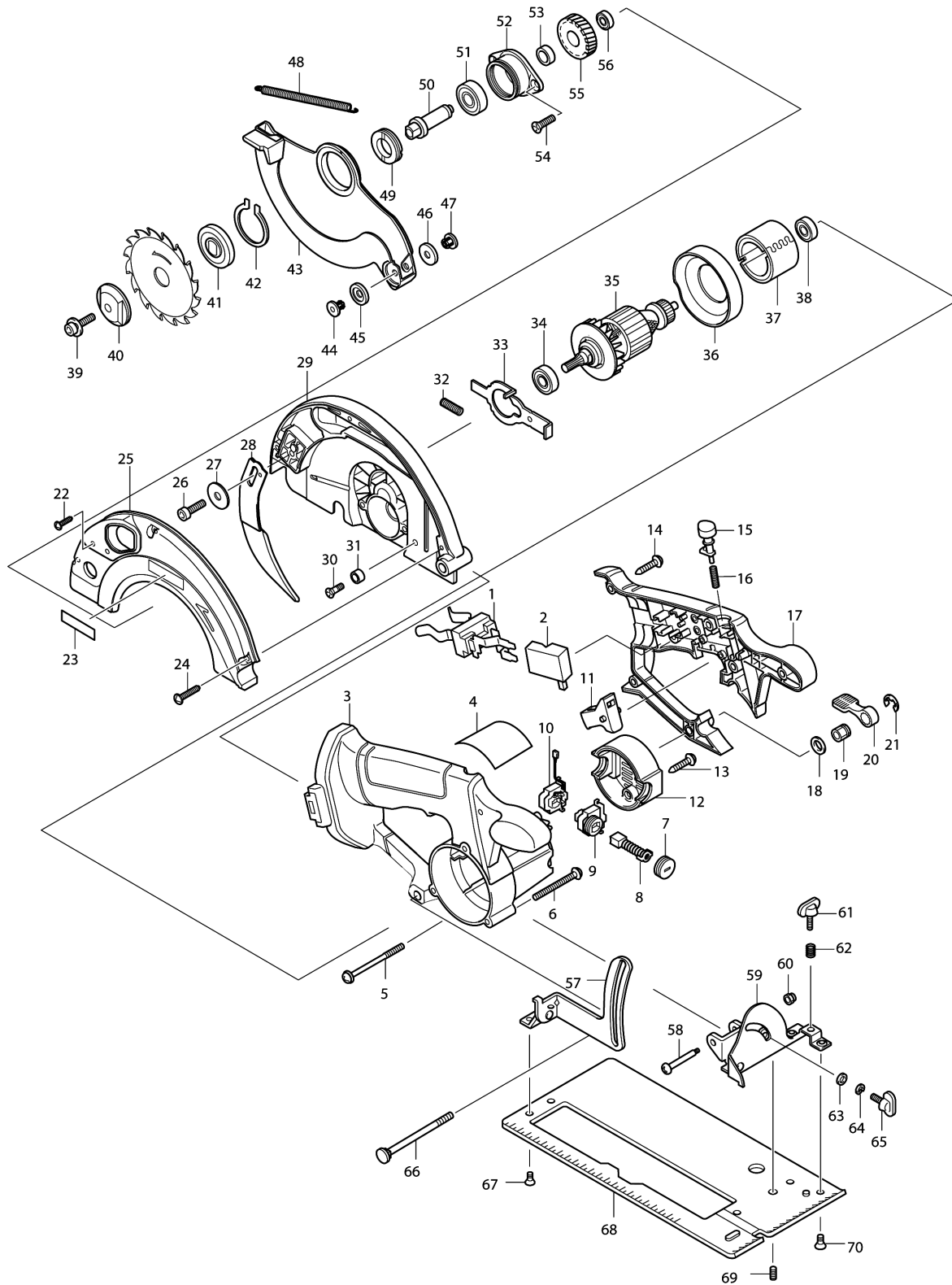


# Model No.5621RD CORDLESS CIRCULAR SAW 165MM





## Model No.5621RD CORDLESS CIRCULAR SAW 165MM

| Item  | Parts No. | Description                 | I/C | Qty | New/Old | Opt. 1 | Opt. 2 | Note |
|-------|-----------|-----------------------------|-----|-----|---------|--------|--------|------|
| 001   | 643942-1  | BATTERY HOLDER              |     | 1   |         |        |        |      |
| 002   | 651956-6  | SWITCH TG72BD               |     | 1   |         |        |        |      |
| 003   | 416690-3  | MOTOR HOUSING               |     | 1   |         |        |        |      |
| 004   | 851443-7  | NAME PLATE 5621RD           |     | 1   |         |        |        |      |
| 005   | 266209-6  | TAPPING SCREW 4X60          |     | 2   |         |        |        |      |
| 006   | 911263-2  | PAN HEAD SCREW M5X40        |     | 3   |         |        |        |      |
| 007   | 643941-3  | BRUSH HOLDER CAP            |     | 2   |         |        |        |      |
| 008   | 191970-5  | CARBON BRUSH CB-429         |     | 1   | *       |        |        |      |
| 008-1 | 191976-3  | CARBON BRUSH CB-432         | <   | 1   | *       |        |        |      |
| 008-2 | 194435-6  | CARBON BRUSH CB-441         | <   | 1   |         |        |        |      |
| 009   | 643943-9  | BRUSH HOLDER                |     | 1   |         |        |        |      |
| 010   | 643944-7  | BRUSH HOLDER                |     | 1   |         |        |        |      |
| C10   | 654187-6  | RECEPTACLE                  |     | 1   |         |        |        |      |
| 011   | 416642-4  | SWITCH LEVER                |     | 1   |         |        |        |      |
| 012   | 416639-3  | REAR COVER                  |     | 1   |         |        |        |      |
| 013   | 265995-6  | TAPPING SCREW 4X18          |     | 2   |         |        |        |      |
| 014   | 265995-6  | TAPPING SCREW 4X18          |     | 6   |         |        |        |      |
| 015   | 416644-0  | SWITCH BUTTON               |     | 1   |         |        |        |      |
| 016   | 233194-8  | COMPRESSION SPRING 4        |     | 1   |         |        |        |      |
| 017   | 416691-1  | HANDLE COVER                |     | 1   | *       |        |        |      |
| 017-1 | 417170-2  | HANDLE COVER                | X   | 1   |         |        |        |      |
| 018   | 253804-1  | FLAT WASHER 6               |     | 1   |         |        |        |      |
| 019   | 252159-1  | HEX. NUT M6                 |     | 1   |         |        |        |      |
| 020   | 272229-0  | LEVER 40                    |     | 1   |         |        |        |      |
| 021   | 961014-3  | STOP RING E-8               |     | 1   |         |        |        |      |
| 022   | 266026-4  | TAPPING SCREW BIND CT 4X12  |     | 2   |         |        |        |      |
| 023   | 819080-3  | MAKITA LABEL                |     | 1   | *       |        |        |      |
| 024   | 266042-6  | TAPPING SCREW BIND CT 4X20  |     | 3   |         |        |        |      |
| 025-1 | 317075-5  | BLADE CASE COVER            |     | 1   |         |        |        |      |
| 026   | 922312-0  | HEX. SOCKET HEAD BOLT M6X12 |     | 1   |         |        |        |      |
| 027   | 253783-3  | FLAT WASHER 6               |     | 1   |         |        |        |      |
| 028   | 165229-6  | RIVING KNIFE                |     | 1   |         |        |        |      |
| 029   | 317073-9  | BLADE CASE                  |     | 1   | *       |        |        |      |
| 029-1 | 151639-3  | BLADE CASE COMPLETE         | O   | 1   | *       |        |        |      |
| C10   | 213434-0  | O RING 26                   |     | 1   | *       |        |        |      |
| 029-2 | 158107-7  | BLADE CASE COMPLETE         | <   | 1   |         |        |        |      |
| C10   | 213434-0  | O RING 26                   |     | 1   |         |        |        |      |
| 030   | 251368-9  | + COUNTERSUNK SCREW M6      |     | 1   | *       |        |        |      |
| 030-1 | 265694-0  | + COUNTERSUNK HEAD SCREW M6 | O   | 1   |         |        |        |      |
| 031   | 262049-0  | RUBBER RING 6               |     | 1   |         |        |        |      |

Please order the parts with part number.

Print Date 17/6/2019

## Model No.5621RD CORDLESS CIRCULAR SAW 165MM

| Item  | Parts No. | Description                       | I/C | Qty | New/Old | Opt. 1 | Opt. 2 | Note |
|-------|-----------|-----------------------------------|-----|-----|---------|--------|--------|------|
| 032   | 233092-6  | COMPRESSION SPRING 5              |     | 1   |         |        |        |      |
| 033   | 344681-3  | SHAFT LOCK                        |     | 1   |         |        |        |      |
| 034   | 211061-7  | BALL BEARING 6000LLB              |     | 1   | *       |        |        |      |
| 034-1 | 211088-7  | BALL BEARING 6000DDW              | O   | 1   |         |        |        |      |
| 035   | 519045-2  | ARMATURE ASS'Y                    |     | 1   |         |        |        |      |
| C10   | 241869-5  | FAN 55                            |     | 1   |         |        |        |      |
| D10   |           | INC. 34,38                        |     |     |         |        |        |      |
| 036   | 416692-9  | BAFFLE PLATE                      |     | 1   |         |        |        |      |
| 037   | 632828-4  | YOKE UNIT                         |     | 1   |         |        |        |      |
| 038   | 211026-9  | BALL BEARING 627LLB               |     | 1   | *       |        |        |      |
| 038-1 | 210025-8  | BALL BEARING 627LLB               | O   | 1   | *       |        |        |      |
| 038-2 | 210023-2  | BALL BEARING 627DDW               | O   | 1   |         |        |        |      |
| 039   | 266024-8  | HEX. SOCKET HEAD BOLT<br>M6X20    |     | 1   |         |        |        |      |
| 040   | 224282-2  | OUTER FLANGE 40                   |     | 1   |         |        |        |      |
| 041   | 224199-9  | INNER FLANGE 40                   |     | 1   | *       |        |        |      |
| 041-1 | 224397-5  | INNER FLANGE 40                   | <   | 1   |         |        |        |      |
| 042   | 961155-5  | RETAINING RING S-38               |     | 1   |         |        |        |      |
| 043   | 317222-8  | SAFETY COVER                      |     | 1   |         |        |        |      |
| 044   | 415437-2  | ROLLER PIN 6                      |     | 1   |         |        |        |      |
| 045   | 415438-0  | ROLLER 20                         |     | 1   |         |        |        |      |
| 046   | 415438-0  | ROLLER 20                         |     | 1   |         |        |        |      |
| 047   | 415437-2  | ROLLER PIN 6                      |     | 1   |         |        |        |      |
| 048   | 231784-1  | TENSION SPRING 3                  |     | 1   |         |        |        |      |
| 049   | 285802-7  | BEARING RETAINER 19-33            |     | 1   |         |        |        |      |
| 050   | 323816-9  | SPINDLE                           |     | 1   |         |        |        |      |
| 051   | 211129-9  | BALL BEARING 6201DDW              |     | 1   |         |        |        |      |
| 052   | 317035-7  | BEARING BOX                       |     | 1   |         |        |        |      |
| 053   | 257010-0  | RING 12                           |     | 1   | *       |        |        |      |
| 054   | 265034-2  | + COUNTERSUNK HEAD<br>SCREW M5X16 |     | 2   |         |        |        |      |
| 055   | 226370-1  | SPUR GEAR 53                      |     | 1   | *       |        |        |      |
| 055-1 | 226391-3  | SPUR GEAR 53                      | X   | 1   |         |        |        |      |
| 056   | 211014-6  | BALL BEARING 606                  |     | 1   |         |        |        |      |
| 057   | 163405-6  | DEPTH COMPLETE                    |     | 1   |         |        |        |      |
| 058   | 265056-2  | + PAN HEAD SCREW M5               |     | 1   |         |        |        |      |
| 059   | 163407-2  | ANGULAR COMPLETE                  |     | 1   |         |        |        |      |
| 060   | 252103-8  | HEX. LOCK NUT M5-8                |     | 1   |         |        |        |      |
| 061   | 265701-9  | THUMB SCREW M6X14                 |     | 1   |         |        |        |      |
| 062   | 231316-4  | COMPRESSION SPRING 7              |     | 1   |         |        |        |      |
| 063   | 941151-9  | FLAT WASHER 6                     |     | 1   |         |        |        |      |
| 064   | 942151-2  | SPRING WASHER 6                   |     | 1   |         |        |        |      |
| 065   | 265701-9  | THUMB SCREW M6X14                 |     | 1   |         |        |        |      |

Please order the parts with part number.

Print Date 17/6/2019

## Model No.5621RD CORDLESS CIRCULAR SAW 165MM

| Item   | Parts No. | Description                    | I/C | Qty | New/Old | Opt. 1 | Opt. 2 | Note |
|--------|-----------|--------------------------------|-----|-----|---------|--------|--------|------|
| 066    | 266195-1  | CAP SQUARE BOLT M6X90          |     | 1   |         |        |        |      |
| 067    | 912107-9  | COUNTERSUNK HEAD SCREW M4X8    |     | 2   | *       |        |        |      |
| 067-1  | 265085-5  | + COUNTERSUNK HEAD SCREW M4X8  | X   | 2   |         |        |        |      |
| 068    | 317076-3  | BASE                           |     | 1   |         |        |        |      |
| 069    | 266213-5  | H.S.SET SCREW(FLAT POINT)M5X12 |     | 1   |         |        |        |      |
| 070    | 912202-5  | COUNTERSUNK HEAD SCREW M5X8    |     | 3   | *       |        |        |      |
| 070-1  | 265085-5  | + COUNTERSUNK HEAD SCREW M4X8  | X   | 3   |         |        |        |      |
| A01    | 164095-8  | GUIDE RULE                     |     | 1   |         |        |        |      |
| A02A   | 414938-7  | BATTERY COVER                  |     | 1   |         |        |        |      |
| A02B   | 414938-7  | BATTERY COVER                  |     | 1   |         |        |        |      |
| A02C   | 414938-7  | BATTERY COVER                  |     | 2   |         |        |        |      |
| A03    | 416706-4  | DUST NOZZLE                    |     | 1   |         |        |        |      |
| A04    | A-85117   | T.C.T.SAW BLADE 165X24TX20     |     | 1   |         |        |        |      |
| A05    | 783203-8  | HEX. WRENCH 5                  |     | 1   |         |        |        |      |
| A06    | 824533-9  | PLASTIC CARRYING CASE          |     | 1   |         |        |        |      |
| C10    | 417075-6  | LATCH                          |     | 2   |         |        |        |      |
| A07A   | 192827-3  | BATTERY 1822 SET               |     | 1   |         |        |        |      |
| A07A_B | 192829-9  | BATTERY 1833                   |     | 1   | *       |        |        |      |
| A07A_C | 192829-9  | BATTERY 1833                   |     | 2   | *       |        |        |      |
| A07A1B | 193102-0  | NI-MH(2.6A) BATTERY 1834 SET   | O   | 1   |         |        |        |      |
| A07A1C | 193102-0  | NI-MH(2.6A) BATTERY 1834 SET   | O   | 2   |         |        |        |      |

Please order the parts with part number.

Print Date 17/6/2019