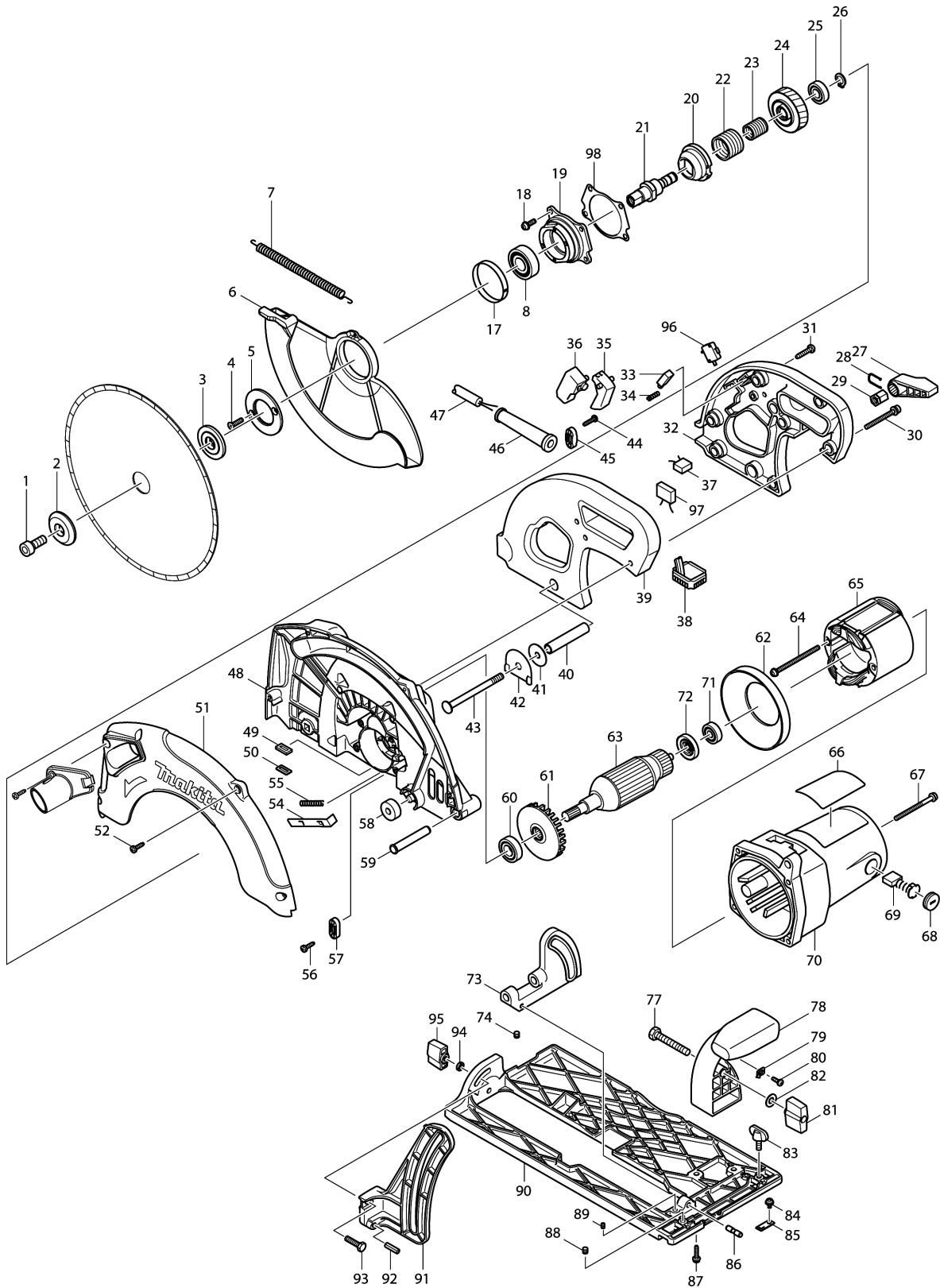


Model No.5104S CIRCULAR SAW 260/270MM



Model No.5104S CIRCULAR SAW 260/270MM

Item	Parts No.	Description	I/C	Qty	New/Old	Opt. 1	Opt. 2	Note
001	266083-2	HEX. SOCKET HEAD BOLT M10X25		1				
002	224325-0	OUTER FLANGE 45		1				
003	224326-8	INNER FLANGE 45		1				
004	912222-9	COUNTERSUNK HEAD SCREW M5X16		2				
005	285681-3	BEARING RETAINER 34-62		1				
006	318240-9	SAFETY COVER		1				
007	231850-4	TENSION SPRING 6		1				
008	211278-2	BALL BEARING 6203DDW		1				
017	344303-5	THICKNESS RING		1				
018	911225-0	PAN HEAD SCREW M5X16		4				
019	316709-7	BEARING BOX		1				
020	322830-2	LOCK SLEEVE		1				
021	322827-1	SPINDLE		1				
022	231968-1	LOCK SPRING 27		1				
023	231969-9	LOCK SPRING 20		1				
024	226452-9	HELICAL GEAR 39		1				
025	211104-5	BALL BEARING 6001		1				
026	961052-5	RETAINING RING S-12		1				
027	272230-5	LEVER 54		1				
028	231955-0	RING SPRING 12		1				
029	252134-7	HEX. NUT M8		1				
030	911263-2	PAN HEAD SCREW M5X40		3				
031	266041-8	TAPPING SCREW 5X25		4				
032	182773-8	HANDLE SET		1				
D10		INC. 39						
033	415440-3	LOCK-OFF BUTTON		1				
034	231230-4	COMPRESSION SPRING 4		1				
035	415439-8	SWITCH LEVER		1				
036	651923-1	SWITCH TG70B		1				
037	645105-5	NOISE SUPPRESSOR		1				
038	631209-9	CONTROLLER 200/220/240V		1				
039	182773-8	HANDLE SET		1				
D10		INC. 32						
040	331469-0	PIPE 9		1				
041	267216-2	FLAT WASHER 8		1				
042	232151-3	LEAF SPRING		1				
043	266019-1	CAP SQUARE NECK BOLT M8X98		1				
044	265995-6	TAPPING SCREW 4X18		2				
045	687053-2	STRAIN RELIEF		1				
046	682505-8	CORD GUARD 10-90		1				

Model No.5104S CIRCULAR SAW 260/270MM

Item	Parts No.	Description	I/C	Qty	New/Old	Opt. 1	Opt. 2	Note
047	665890-4	POWER SUPPLY CORD 1.0-2-4.0		1				
048	158612-4	BLADE CASE COMPLETE		1				
C10	263005-3	RUBBER PIN 6		1				
049	443098-8	FELT		1				
050	344263-1	PLATE		1				
051	318237-8	BLADE CASE COVER		1				
052	266034-5	TAPPING SCREW CT 4X16		4				
054	344261-5	SHAFT LOCK		1				
055	233084-5	COMPRESSION SPRING 6		1				
056	266034-5	TAPPING SCREW CT 4X16		2				
057	687052-4	STRAIN RELIEF		1				
058	262007-6	RUBBER RING 8		1				
059	268008-2	PIN 10		1				
060	211236-8	BALL BEARING 6002DDW		1				
061	241889-9	FAN 74		1				
062	415768-9	BAFFLE PLATE		1				
063	516653-0	ARMATURE ASS'Y 220/240V		1				
D10		INC. 71,72						
064	911944-8	PAN HEAD SCREW M5X80		2				
065	596318-0	FIELD ASS'Y 220-240V		1				
C10	654197-3	RING TERMINAL		2				
C20	654502-4	CONNECTOR P-2		2				
066	864143-0	5104S NAME PLATE		1				
067	911288-6	PAN HEAD SCREW M5X65		4				
068	643700-5	BRUSH HOLDER CAP 7-18		2				
069	191953-5	CARBON BRUSH CB-203		1				
070	158613-2	MOTOR HOUSING COMPLETE		1				
C10	643712-8	BRUSH HOLDER		2				
071	210042-8	BALL BEARING 629LLB		1				
072	681633-6	INSULATION WASHER		1				
073	318262-9	ANGLER PLATE		1				
074	266039-5	H.S.SET SCREW(FLAT POINT) M6X6		1				
077	921477-5	HEX. BOLT M8X55		1				
078	415722-3	ANGULAR PLATE GUIDE		1				
079	816128-2	POINTER		1				
080	266020-6	TAPPING SCREW 4X12		1				
081	252626-6	WING NUT		1				
082	941201-0	FLAT WASHER 8		1				
083	265701-9	THUMB SCREW M6X14		1				
084	911109-2	PAN HEAD SCREW M4X8		1				
085	415433-0	TOP GUIDE		1				

Model No.5104S CIRCULAR SAW 260/270MM

Item	Parts No.	Description	I/C	Qty	New/Old	Opt. 1	Opt. 2	Note
086	256231-1	PIN 6		1				
087	266021-4	TAPPING SCREW 5X20		2				
088	266039-5	H.S.SET SCREW(FLAT POINT) M6X6		1				
089	265993-0	H.S.SET SCREW(CUP POINT)M4X5		1				
090	318238-6	BASE		1				
091	318239-4	DEPTH GUIDE		1				
092	951210-1	SPRING PIN 6-20		1				
093	921342-8	HEX. BOLT M6X25		1				
094	941151-9	FLAT WASHER 6		1				
095	252624-0	WING NUT M6		1				
096	651941-9	SWITCH V-15-2A5		1				
097	645200-1	NOISE SUPPRESSOR		1				
098	442142-8	GASKET		1				
A01	165084-6	GUIDE RULE		1				
A02	783204-6	HEX. WRENCH 6		1				
A03	A-80008	T.C.T. SAW BLADE 270X18TX30		1	*			
A03-1	B-12859	TCT SAW BLADE 270X18TX30	O	1				
A04	266036-1	TAPPING SCREW BIND CT 5X20		1				
A05	450316-7	JOINT		1				

Please order the parts with part number.

Print Date 25/3/2020