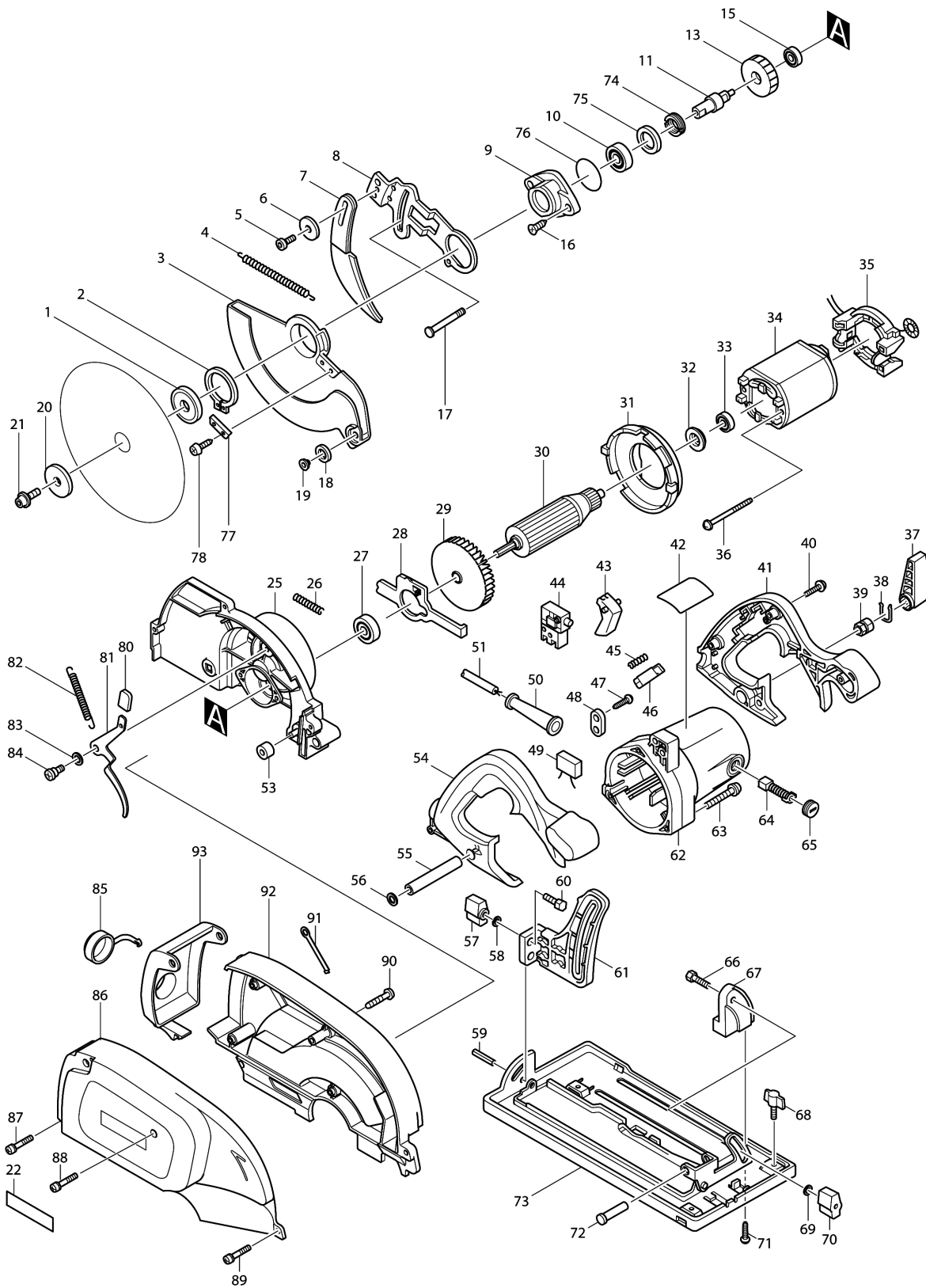


Model No.5017RKB CIRCULAR SAW 190MM



Model No.5017RKB CIRCULAR SAW 190MM

Item	Parts No.	Description	I/C	Qty	New/Old	Opt. 1	Opt. 2	Note
001	224339-9	INNER FLANGE 40		1				
002	961156-3	RETAINING RING S-40		1				
003	317410-7	SAFETY COVER		1	*			
003-1	318077-4	SAFETY COVER	<	1				
004-1	231827-9	TENSION SPRING 4		1	*			
004-2	231845-7	TENSION SPRING 4	S	1				
005	922312-0	HEX. SOCKET HEAD BOLT M6X12		1				
006	253783-3	FLAT WASHER 6		1				
007	165094-3	RIVING KNIFE		1	*			
007-1	165623-2	RIVING KNIFE	O	1				
008	344115-6	RIVING KNIFE HOLDER		1	*			
008-1	345733-3	RIVING KNIFE HOLDER	<	1				
009	317469-4	BEARING BOX		1				
010	211227-9	BALL BEARING 6002DDW		1	*			
010-1	211236-8	BALL BEARING 6002DDW	O	1				
011	322922-7	SPINDLE		1				
013	226473-1	HELICAL GEAR 41		1				
015	210005-4	BALL BEARING 608DDW		1	*			
015-1	211034-0	BALL BEARING 608	O	1				
016	265034-2	+ COUNTERSUNK HEAD SCREW M5X16		2				
017	266019-1	CAP SQUARE NECK BOLT M8X98		1				
018	415438-0	ROLLER 20		2				
019	415437-2	ROLLER PIN 6		2				
020	224338-1	OUTER FLANGE 40		1				
021	266139-1	HEX. SOCKET HEAD BOLT M6X16		1				
022	819064-1	MAKITA MARK		1				
025	152635-4	BLADE CASE COMPLETE		1	*			
C10	263005-3	RUBBER PIN 6		1	*			
025-1	158087-7	BLADE CASE COMPLETE	<	1				
C10	263005-3	RUBBER PIN 6		1				
026	233092-6	COMPRESSION SPRING 5		1				
027	211129-9	BALL BEARING 6201DDW		1				
028	344114-8	SHAFT LOCK		1				
029	241876-8	FAN 76		1				
030A_	516418-0	ARMATURE ASS'Y 220V		1				
D10		INC. 27,29,32,33						
031	415460-7	BAFFLE PLATE		1				
032	681625-5	INSULATION WASHER		1				
033	210005-4	BALL BEARING 608DDW		1				
034A_	634373-5	FIELD 220V		1				

Please order the parts with part number.

Print Date 14/5/2019

Model No.5017RKB CIRCULAR SAW 190MM

Item	Parts No.	Description	I/C	Qty	New/Old	Opt. 1	Opt. 2	Note
035	632503-2	SUPPORT COMPLETE		1	*			
035-1	135793-1	SUPPORT ASS'Y	X	1				
C10	654020-2	RING TERMINAL		2				
C20	654501-6	CONNECTOR P-1.25		2				
036	266029-8	TAPPING SCREW 5X65		2				
037	272230-5	LEVER 54		1				
038	231955-0	RING SPRING 12		1				
039	252141-0	HEX. NUT M8		1				
040	266041-8	TAPPING SCREW 5X25		5				
041	182675-8	HANDLE SET		1				
D10		INC. 54						
042	852757-7	NAME PLATE 5017RKB		1				
043	415439-8	SWITCH LEVER		1				
044	651922-3	SWITCH TG71B		1				
045	231230-4	COMPRESSION SPRING 4		1				
046	415440-3	LOCK-OFF BUTTON		1				
047	265995-6	TAPPING SCREW 4X18		2				
048	687063-9	CORD CLAMP		1	*			
048-1	687052-4	STRAIN RELIEF	X	1				
049	645200-1	NOISE SUPPRESSOR		1	*			
049-1	645118-6	NOISE SUPPRESSOR	O	1	*			
049-2	645142-9	NOISE SUPPRESSOR	O	1				
050A_	682540-6	CORD GUARD 9.3-90		1				
051A_	665865-3	POWER SUPPLY CORD 1.0-2-2.5		1				
053-1	262511-5	RUBBER SLEEVE 6		1				
054	182675-8	HANDLE SET		1				
D10		INC. 41						
055	331432-3	PIPE 9		1				
056	941201-0	FLAT WASHER 8		1				
057	252624-0	WING NUT M6		1				
058	941151-9	FLAT WASHER 6		1				
059	951204-6	SPRING PIN 6-16		1				
060	921332-1	HEX. BOLT M6X20		1				
061	316578-6	DEPTH GUIDE		1				
062	159714-9	MOTOR HOUSING COMPLETE		1				
C10	643708-9	BRUSH HOLDER 5-11		2				
063	911278-9	PAN HEAD SCREW M5X55		3				
064	191963-2	CARBON BRUSH CB-303		1				
065	643750-0	BRUSH HOLDER CAP 7-11		2				
066	921332-1	HEX. BOLT M6X20		1				
067	415443-7	ANGULAR PLATE GUIDE		1				
068	265725-5	WING BOLT M6X10		1				

Please order the parts with part number.

Print Date 14/5/2019

Model No.5017RKB CIRCULAR SAW 190MM

Item	Parts No.	Description	I/C	Qty	New/Old	Opt. 1	Opt. 2	Note
069	941151-9	FLAT WASHER 6		1				
070	252624-0	WING NUT M6		1				
071	265995-6	TAPPING SCREW 4X18		2				
072	256690-9	PIN 10		1				
073	168352-6	BASE		1	*			
073-1	168352-6	BASE	O	1				
074	285831-0	BEARING RETAINER 19-34		1				
075	267126-3	FLAT WASHER 22		1				
076	213560-5	O RING 44		1				
077	344944-7	SUB PLATE		1				
078	266026-4	TAPPING SCREW BIND CT 4X12		2				
080	421676-4	RUBBER CAP		1				
081	344945-5	OPEN LEVER		1				
082	231823-7	TENSION SPRING 4		1				
083	941201-0	FLAT WASHER 8		1				
084	251267-5	+ PAN HEAD SCREW M6		1				
085	421362-7	CAP		1				
086	183288-8	DUST BOX SET		1				
D10		INC. 22,92						
087	911248-8	PAN HEAD SCREW M5X28		1				
088	911278-9	PAN HEAD SCREW M5X55		1				
089	911248-8	PAN HEAD SCREW M5X28		1				
090	265999-8	TAPPING SCREW 4X25		3				
091	344943-9	EARTH PLATE		1				
092	183288-8	DUST BOX SET		1				
D10		INC. 22,86						
093	417384-3	DUST CAP		1				
A01	165108-8	GUIDE RULE		1				
A02	A-87258	T.C.T.SAW BLADE 190X24TX30		1				
A03	783203-8	HEX. WRENCH 5		1				

Please order the parts with part number.

Print Date 14/5/2019