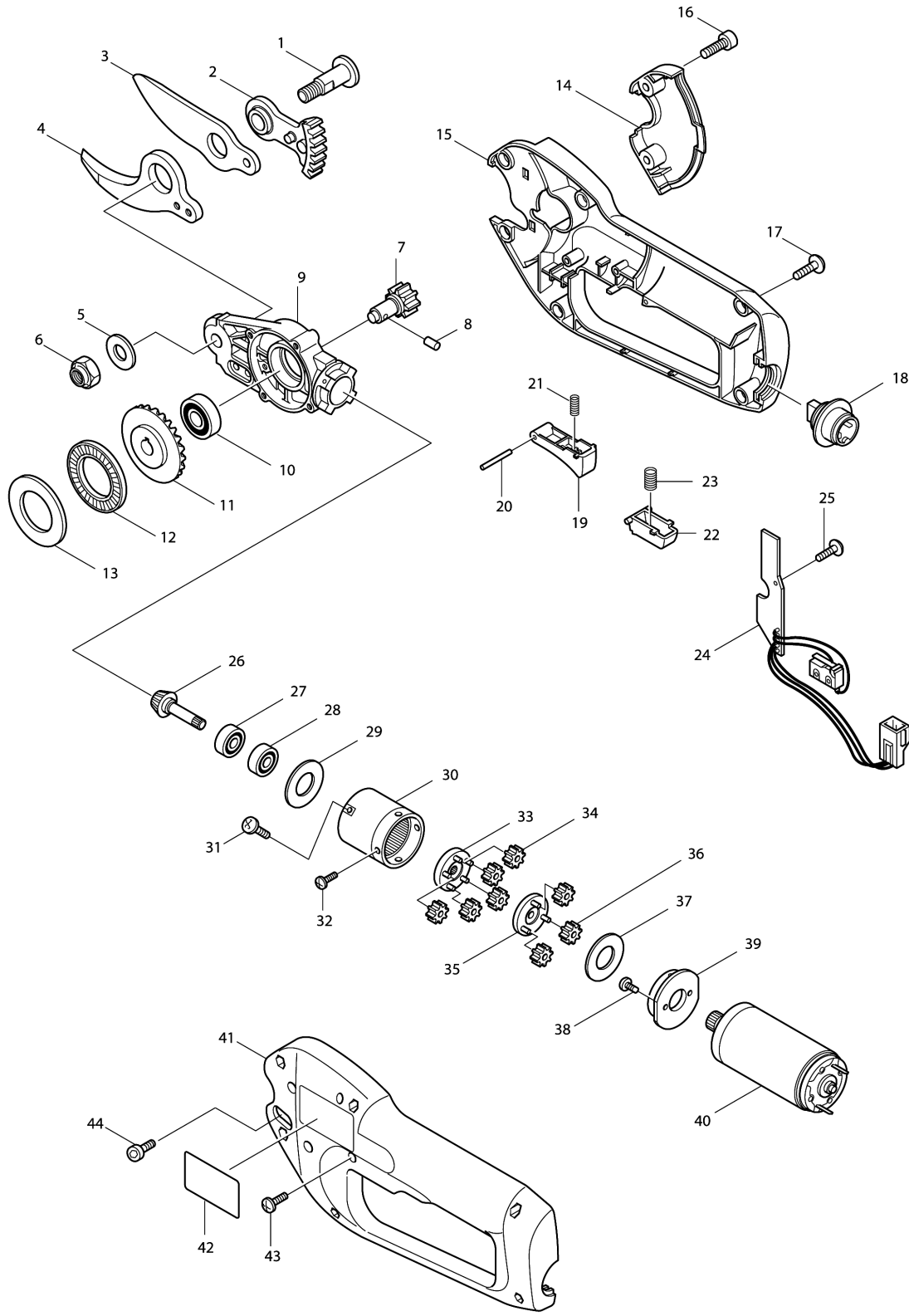


Model No.4604D CORDLESS PRUNING SHEAR



Model No.4604D CORDLESS PRUNING SHEAR

Item	Parts No.	Description	I/C	Qty	New/Old	Opt. 1	Opt. 2	Note
001	266230-5	ROUND HEAD BOLT M8		1				
002	151717-9	BLADE HOLDER COMPLETE		1	*			
002-1	153396-9	BLADE HOLDER COMPLETE	<	1				
003	A-86670	SHEAR BLADE(U)		1				
004	A-86664	SHEAR BLADE(L)		1				
005	941201-0	FLAT WASHER 8		1				
006	252128-2	HEX.NUT M8-13		1				
007	226394-7	SPUR GEAR 9		1				
008	256014-9	PIN 3		1				
009	317231-7	GEAR HOUSING		1				
010	211051-0	BALL BEARING 609LLB		1				
011	226785-2	ZEROL BEVEL GEAR 45		1				
012	216416-1	THRUST NEEDLE CAGE 2542		1				
013	216207-0	WASHER 2542		1				
014	416961-8	BLADE COVER		1				
015	183142-6	HOUSING SET		1				
D01		INC. 41						
016	922118-6	HEX. SOCKET HEAD BOLT M4X12		2	*			
016-1	266273-7	HEX. SOCKET HEAD BOLT M4X12	X	2				
017	911028-2	PAN HEAD SCREW M3X16		4				
018	632921-4	LEAD UNIT		1	*			
018-1	638855-9	LEAD UNIT	<	1				
019	416967-6	SWITCH LEVER		1				
020	256176-3	PIN 2.5		1				
021	231473-8	COMPRESSION SPRING 4		1				
022	416966-8	LOCK-OFF LEVER		1				
023	233075-6	COMPRESSION SPRING 6		1				
024	631365-5	HALL IC CIRCUIT COMPLETE		1	*			
024-1	631365-5	HALL IC CIRCUIT COMPLETE	<	1				
025	911002-0	PAN HEAD SCREW M3X6		1				
026	226784-4	ZEROL BEVEL GEAR 13		1				
027	211012-0	BALL BEARING 606ZZ		1				
028	211012-0	BALL BEARING 606ZZ		1				
029	267198-8	FLAT WASHER 14		1				
030	226392-1	INTERNAL GEAR 44		1				
031	911002-0	PAN HEAD SCREW M3X6		4				
032	265954-0	TAPPING SCREW BIND PT3X8		2				
033	151718-7	SUPPORTER COMPLETE		1				
034	226386-6	SPUR GEAR 14		5				
035	153269-6	SPUR GEAR 16 COMPLETE		1				
036	226386-6	SPUR GEAR 14		3				

Please order the parts with part number.

Print Date 17/6/2019

Model No.4604D CORDLESS PRUNING SHEAR

Item	Parts No.	Description	I/C	Qty	New/Old	Opt. 1	Opt. 2	Note
037	267198-8	FLAT WASHER 14		1				
038	265078-2	PAN HEAD SCREW M2.5X12		2				
039	416968-4	MOTOR HOLDER		1				
040	629742-3	DC MOTOR		1				
C10	226393-9	SPUR GEAR 16		1				
041	183142-6	HOUSING SET		1				
D10		INC. 15						
042	851738-8	NAME PLATE 4604D		1				
043	911018-5	PAN HEAD SCREW M3X12		4				
044	922118-6	HEX. SOCKET HEAD BOLT M4X12		2	*			
044-1	266273-7	HEX. SOCKET HEAD BOLT M4X12	X	2				
A01A	783201-2	HEX. WRENCH 3		1				
A02A	410048-8	WRENCH HOLDER 3.4		1				
A03A	782212-4	SOCKET WRENCH 13		1				
A04A	166054-8	ARM BAND		1	*			
A04-1A	166062-9	ARM BAND	O	1				
A05A	166055-6	BATTERY SUPPORT BELT		1				
A06A	168335-6	SUSPENDER		1	*			
A06-1A	168356-8	SUSPENDER	O	1				
A07A	168336-4	HOLSTER		1	*			
A07-1A	168359-2	HOLSTER	X	1	*			
A07-2A	168542-1	HOLSTER	O	1				
A08A	182470-6	OIL SUPPLY		1				
A09A	416977-3	BATTERY COVER		1				
A10A	630169-2	C4600 CONTROLLER		1	*			
A10-1A	630654-5	C4600 CONTROLLER	<	1				
A11A	193001-6	BATTERY 4600 SET		1				
C10	183160-4	BATTERY CASE SET		1				
C20	652590-5	OVER CURRENT RELAY		1				
C30	410192-1	RELAY COVER		1				
C40	687096-4	TERMINAL HOLDER		1				
A12A	661978-8	CONNECTION CORD		1	*			
A12-1A	661978-8	CONNECTION CORD	O	1	*			
A12-2A	661978-8	CONNECTION CORD	<	1	*			
A12-3A	661979-6	CONNECTION CORD	<	1				
A13	A-86670	SHEAR BLADE(U)		1				
A14A	824556-7	PLASTIC CARRYING CASE		1				
C10	416401-6	LATCH		2	*			
C11	163467-4	LATCH	X	2				
C20	819145-1	MAKITA LOGO LABEL		1				
B01A	***DC4600	DC4600 BATTERY CHARGER		1				

Please order the parts with part number.

Print Date 17/6/2019