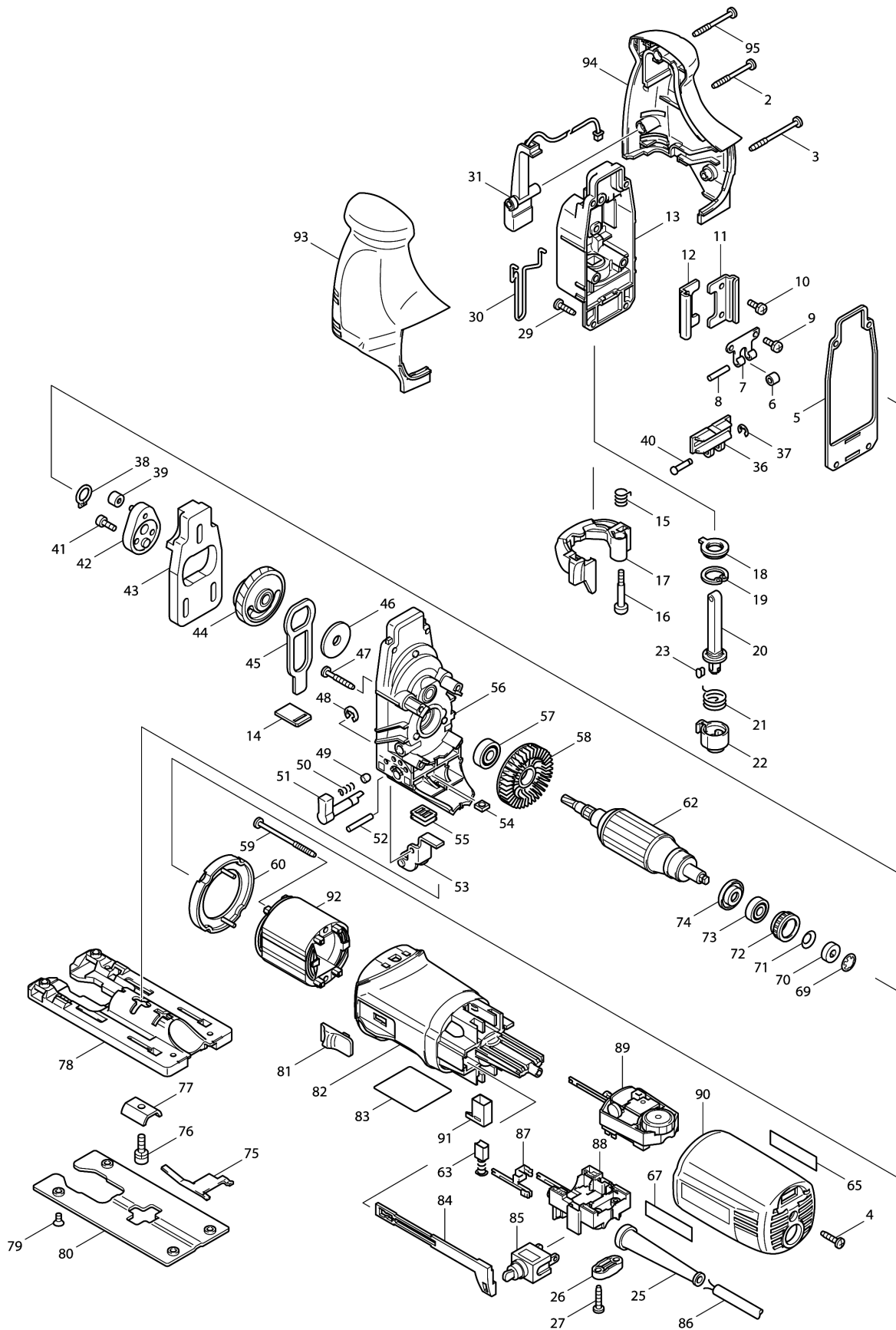


Model No.4341FCT JIG SAW



Model No.4341FCT JIG SAW

Item	Parts No.	Description	I/C	Qty	New/Old	Opt. 1	Opt. 2	Note
002	266048-4	TAPPING SCREW 4X40		1				
003	266091-3	TAPPING SCREW 4X50		1				
004	265995-6	TAPPING SCREW 4X18		1				
005	442138-9	PACKING		1				
006	214031-5	PLANE BEARING 4		1				
007	232207-2	LEAF SPRING		1				
008	256117-9	PIN 4		1				
009	911111-5	PAN HEAD SCREW M4X10 WITH W		2				
010	911111-5	PAN HEAD SCREW M4X10 WITH W		2				
011	345240-6	LINEAR GUIDE		1				
012	345240-6	LINEAR GUIDE		1				
013	153338-3	GEAR HOUSING COVER COMPLETE		1				
C10	253313-0	THIN WASHER 14		1				
C20	257250-0	RING 20		1				
C30	421815-6	DUST SEAL 8		1				
014	417839-8	SEAL PLATE		1				
015	231659-4	TORSION SPRING 6		1				
016	265026-1	+ PAN HEAD SCREW M4		1				
017	417842-9	TOOL OPENER		1				
018	421817-2	DUST COVER		1				
019	962068-3	RETAINING RING R-18		1				
020	165326-8	ROD		1	*			
020-1	135060-4	ROD ASS'Y	<	1				
C10	165326-8	ROD		1				
D10		INC. 18,19,21-23						
021	231660-9	TORSION SPRING 15		1				
022	310136-0	BLADE HOLDER		1				
023	310135-2	PUSH PIN		1				
025	682559-5	CORD GUARD 8		1				
026	687052-4	STRAIN RELIEF		1				
027	265995-6	TAPPING SCREW 4X18		2				
029	266034-5	TAPPING SCREW CT 4X16		4				
030	324233-6	SAFETY WIRE		1				
031	631470-8	LED CIRCUIT		1				
036	310134-4	SLIDER		1				
037	961017-7	STOP RING E-3		1				
038	961004-6	RETAINING RING S-8		1				
039	212014-9	NEEDLE BEARING 407		1	*			
039-1	212092-9	NEEDLE BEARING 407	O	1				
040	268090-1	PIN 4		1				

Please order the parts with part number.

Print Date 17/6/2019

Model No.4341FCT JIG SAW

Item	Parts No.	Description	I/C	Qty	New/Old	Opt. 1	Opt. 2	Note
041	265353-6	HEX. SOCKET HEAD BOLT M4X12		2				
042	153336-7	CRANK COMPLETE		1				
043	313108-4	BALANCE PLATE		1				
044	153335-9	GEAR COMPLETE		1				
C10	212043-2	NEEDLE BEARING 810		2				
045	345235-9	PUSH PLATE		1				
046	253877-4	FLAT WASHER 8		1				
047	266050-7	TAPPING SCREW 4X30		4				
048	961018-5	STOP RING E-5		1				
049	286032-3	CAP 5		1				
050	233139-6	COMPRESSION SPRING 3		1				
051	272244-4	LEVER 17		1	*			
051-1	272280-0	LEVER 17	<	1				
052	268063-4	PIN 4		1				
053	153334-1	RETAINER COMPLETE		1				
054	252171-1	SQUARE NUT M5-8		1				
055	421816-4	DUST SEAL		1				
056	153337-5	GEAR HOUSING COMPLETE		1				
057	210005-4	BALL BEARING 608DDW		1				
058	241881-5	FAN 52		1				
059	266052-3	TAPPING SCREW 4X60		2				
060	417838-0	BAFFLE PLATE		1				
062	517398-3	ARMATURE ASS'Y 220-240V		1				
D10		INC. 57,58,73,74						
063	191962-4	CARBON BRUSH CB-419		1				
065	819063-3	MAKITA LABEL		1				
067	819063-3	MAKITA LABEL		1				
069	259039-2	SELF LOCK 6		1				
070	688117-5	MAGNET SLEEVE		1				
071	267756-0	WAVE WASHER 6		1				
072	421494-0	RUBBER RING 19		1				
073	211021-9	BALL BEARING 607LLB		1				
074	681636-0	INSULATION WASHER		1				
075	232208-0	LEAF SPRING		1				
076	922226-3	HEX. SOCKET HEAD BOLT M5X18		1				
077	345237-5	CRANK PLATE		1				
078	317565-8	BASE		1				
079	912107-9	COUNTERSUNK HEAD SCREW M4X8		4				
080	345238-3	BASE PLATE		1				
081	417840-3	SWITCH LEVER		1				
082	417758-8	MOTOR HOUSING		1				

Please order the parts with part number.

Print Date 17/6/2019

Model No.4341FCT JIG SAW

Item	Parts No.	Description	I/C	Qty	New/Old	Opt. 1	Opt. 2	Note
083	853855-0	NAME PLATE 4341FCT		1				
084	417841-1	SWITCH ROD		1				
085	651418-4	SWITCH ST115A-40		1	*			
085-1	651428-1	SWITCH STL115ADF-CD	O	1	*			
085-2	651069-3	SWITCH ST115A-TB-F2	O	1				
086	665394-6	POWER SUPPLY CORD 1.0-2-2.5		1				
087	654223-8	TERMINAL F		2				
088	638108-6	SWITCH BLOCK UNIT		1				
089	631468-5	CONTROLLER		1	*			
089-1	631769-1	CONTROLLER	<	1				
090	183436-9	REAR COVER		1				
D10		INC. 65,67						
091	643975-6	BRUSH HOLDER		2				
092	633518-2	FIELD 220-240V		1				
093	183426-2	HEAD COVER SET		1				
D10		INC. 94						
094	183426-2	HEAD COVER SET		1				
D10		INC. 93						
095	266048-4	TAPPING SCREW 4X40		1				
A01	415524-7	ANTI-SPLINTERING DEVICE		1				
A02	417852-6	COVER PLATE		1				
A03	792522-1	JIG SAW BLADE B-22		1	*			
A03-1	A-85737	JIGSAW BLADE NO.B22	<	1				
A04	792538-6	JIG SAW BLADE B-10		1	*			
A04-1	A-85628	JIGSAW BLADE NO.B10	<	1				
A05	A-02294	JIG SAW BLADE BR-13		1	*			
A05-1	A-85793	JIGSAW BLADE NO.BR13	<	1				
A06	783202-0	HEX. WRENCH 4		1				
A07	183475-9	PLASTIC CARRYING CASE		1	*			
C10	183091-7	SLIDE LATCH RL SET		1	*			
C20	819033-2	MAKITA LABEL		1	*			
C21	819143-5	MAKITA LABEL	<	1	*			
A07-1	824662-8	PLASTIC CARRYING CASE	O	1	*			
C10	183091-7	SLIDE LATCH RL SET		1	*			
A07-2	824809-4	PLASTIC CARRYING CASE	<	1				
A08	417853-4	DUST NOZZLE		1				

Please order the parts with part number.

Print Date 17/6/2019