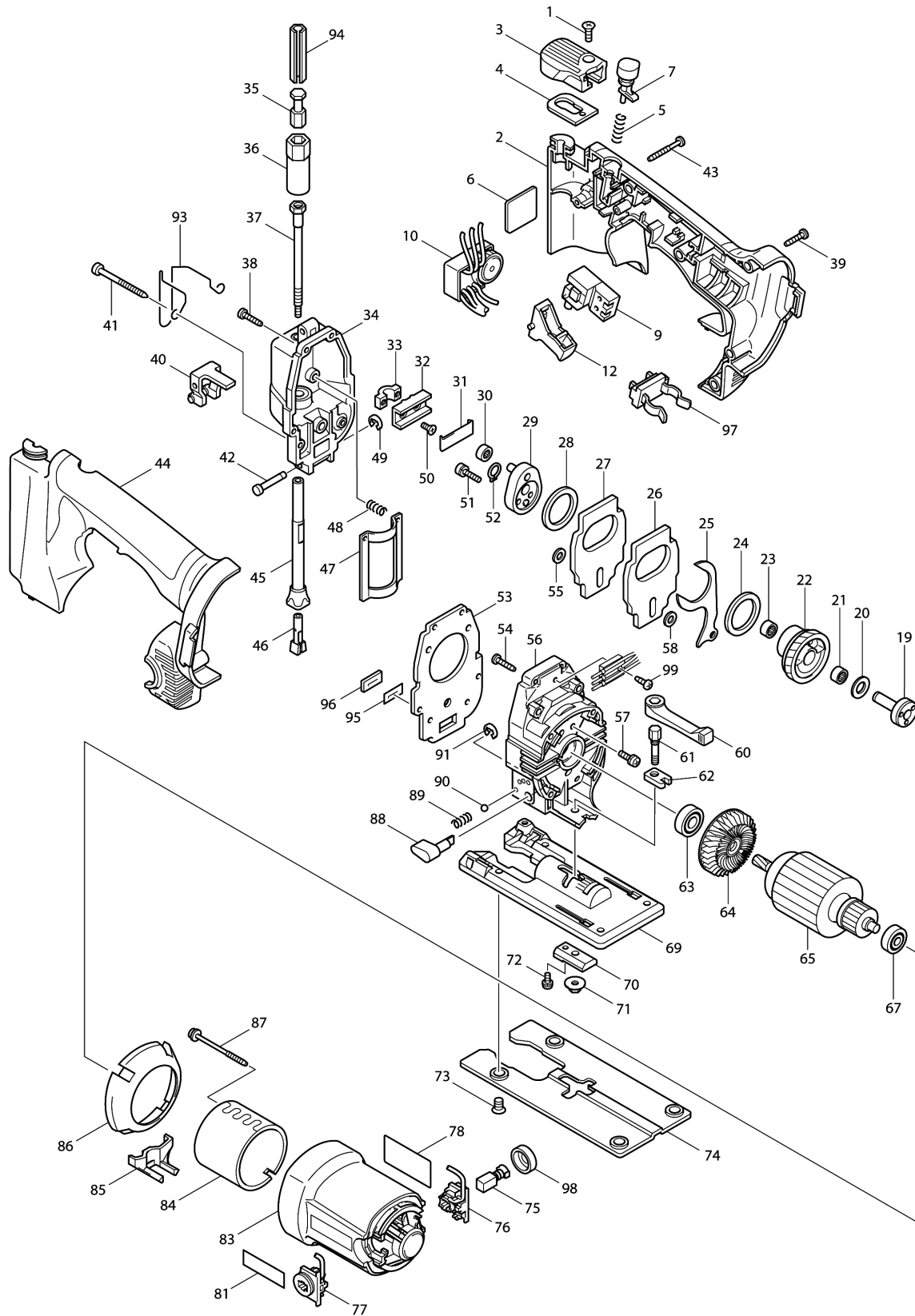


Model No.4334D CORDLESS JIG SAW



Model No.4334D CORDLESS JIG SAW

Item	Parts No.	Description	I/C	Qty	New/Old	Opt. 1	Opt. 2	Note
001	912102-9	COUNTERSUNK HEAD SCREW M4X6		1				
002	183302-0	HANDLE SET		1				
D10		INC. 44						
003	416370-1	LEVER 51		1				
004	344331-0	INNER LEVER		1				
005	233194-8	COMPRESSION SPRING 4		1				
006	810835-9	CAUTION LABEL		1				
007	416644-0	SWITCH BUTTON		1				
009	651976-0	SWITCH TG73BD		1				
010	631373-6	CONTROLLER		1				
012	416642-4	SWITCH LEVER		1				
019	322691-0	GEAR SHAFT		1				
020	253139-0	FLAT WASHER 8		1				
021	212043-2	NEEDLE BEARING 810		1				
022	226538-9	HELICAL GEAR 51		1				
023	212043-2	NEEDLE BEARING 810		1				
024	253792-2	FLAT WASHER 26		1				
025	344134-2	PUSH PLATE		1				
026	344330-2	BALANCE PLATE		1				
027	344330-2	BALANCE PLATE		1				
028	253792-2	FLAT WASHER 26		1				
029	152454-8	CRANK COMPLETE		1				
C10	256033-5	PIN 6		1				
030	212010-7	NEEDLE BEARING 607		1				
031	344232-2	THRUST PLATE		1				
032	310028-3	SLIDER		1				
033	316608-3	HOLDER		1				
034	151596-5	GEAR HOUSING COVER COMPLETE		1	*			
C10	214005-6	PLANE BEARING 8		1	*			
C20	951057-3	SPRING PIN 3-12		2	*			
034-1	153389-6	GEAR HOUSING COVER COMPLETE	<	1				
C10	214005-6	PLANE BEARING 8		1				
C20	951057-3	SPRING PIN 3-12		2				
C30	253310-6	THIN WASHER 10		1				
C40	421821-1	DUST SEAL 8		1				
035	324097-8	CONNECTOR		1				
036	416351-5	JOINT		1				
037	322826-3	DRIVER ROD		1				
038	266034-5	TAPPING SCREW CT 4X16		2				
039	265995-6	TAPPING SCREW 4X18		5	*			
039-1	265A48-7	TAPPING SCREW 4X18	O	5				

Please order the parts with part number.

Print Date 17/6/2019

Model No.4334D CORDLESS JIG SAW

Item	Parts No.	Description	I/C	Qty	New/Old	Opt. 1	Opt. 2	Note
040	151426-0	RETAINER COMPLETE		1	*			
C10	256667-4	PIN 4		1	*			
C20	322709-7	ROLLER		1	*			
C30	961017-7	STOP RING E-3		1	*			
040-1	152947-5	RETAINER COMPLETE	X	1				
C10	268074-9	PIN 4		1				
C20	152950-6	ROLLER COMPLETE		1				
C30	961017-7	STOP RING E-3		1				
041	266147-2	TAPPING SCREW 4X55		2	*			
041-1	266415-3	TAPPING SCREW 4X55	O	2				
042	256693-3	PIN 4		1				
043	266048-4	TAPPING SCREW 4X40		1				
044	183302-0	HANDLE SET		1				
D10		INC. 2						
045	168282-1	ROD		1				
046	310005-5	BLADE FIX		1				
047	344137-6	SLIDE PLATE		1				
048	233151-6	COMPRESSION SPRING 4		2				
049	961017-7	STOP RING E-3		1				
050	265035-0	COUNTERSUNK HEAD SCREW M4X10		2				
051	922126-7	HEX. SOCKET HEAD BOLT M4X16		2				
052	961004-6	RETAINING RING S-8		1				
053	442123-2	PACKING		1				
054	265995-6	TAPPING SCREW 4X18		2	*			
054-1	265A48-7	TAPPING SCREW 4X18	O	2				
055	253715-0	FLAT WASHER 6		1				
056	152771-6	GEAR HOUSING COMPLETE		1				
C10	256143-8	PIN 6		1				
C20	256235-3	PIN 5		3				
C30	263002-9	RUBBER PIN 4		1				
C40	951051-5	SPRING PIN 3-8		2				
057	911111-5	PAN HEAD SCREW M4X10 WITH W		3				
058	253715-0	FLAT WASHER 6		1				
060	272232-1	LEVER 65		1				
061	265434-6	HEX. BOLT M5X24		1				
062	344332-8	NUT M6		1				
063	211031-6	BALL BEARING 608LLB		1				
064	241875-0	FAN 54		1				
065	519064-8	ARMATURE ASS'Y		1				
D10		INC. 63,64,67						
067	211021-9	BALL BEARING 607LLB		1				

Please order the parts with part number.

Print Date 17/6/2019

Model No.4334D CORDLESS JIG SAW

Item	Parts No.	Description	I/C	Qty	New/Old	Opt. 1	Opt. 2	Note
069	316777-0	BASE		1				
070	344333-6	CLAMP PLATE		1				
071	252142-8	HEX.NUT FLANGE M5		1				
072	911109-2	PAN HEAD SCREW M4X8		1				
073	912202-5	COUNTERSUNK HEAD SCREW M5X8		4				
074	344443-9	BASE PLATE		1				
075	191970-5	CARBON BRUSH CB-429		1	*			
075-1	191976-3	CARBON BRUSH CB-432	<	1	*			
075-2	194435-6	CARBON BRUSH CB-441	<	1				
076	643976-4	BRUSH HOLDER R		1				
077	643977-2	BRUSH HOLDER L		1				
078	852927-8	NAME PLATE 4334D		1				
081	819080-3	MAKITA LABEL		1				
083	183324-0	MOTOR HOUSING SET		1				
D10		INC. 81						
084	632828-4	YOKE UNIT		1				
085	415879-0	AIR CAP		1				
086	415878-2	BAFFLE PLATE		1				
087	266209-6	TAPPING SCREW 4X60		2				
088	272231-3	LEVER 17		1				
089	233151-6	COMPRESSION SPRING 4		1	*			
089-1	231314-8	COMPRESSION SPRING 4	O	1				
090	216008-6	STEEL BALL 4		1				
091	961018-5	STOP RING E-5		1				
093	322893-8	SAFETY WIRE		1				
094	344537-0	HEX. SLEEVE		1				
095	344784-3	SEAL PLATE		1				
096	443106-5	FELT 10-20		1				
097	643918-8	BATTERY HOLDER		1				
098	643941-3	BRUSH HOLDER CAP		2				
099	911006-2	PAN HEAD SCREW M3X8		1				
A01	413068-1	BASE PLATE		1				
A02	414938-7	BATTERY COVER		1				
A03	415524-7	ANTI-SPLINTERING DEVICE		1				
A04	415887-1	PROTECTOR		1				
A05A	192827-3	BATTERY 1822 SET		1				
A05B	192827-3	BATTERY 1822 SET		1				
A05B_C	193102-0	NI-MH(2.6A) BATTERY 1834 SET		1				
A05B_D	193102-0	NI-MH(2.6A) BATTERY 1834 SET		1				
A05C_E	193061-8	BATTERY 1835 SET		1				
A05C_F	193061-8	BATTERY 1835 SET		1				

Please order the parts with part number.

Print Date 17/6/2019

Model No.4334D CORDLESS JIG SAW

Item	Parts No.	Description	I/C	Qty	New/Old	Opt. 1	Opt. 2	Note
A06	792522-1	JIG SAW BLADE B-22		1	*			
A06-1	A-85737	JIGSAW BLADE NO.B22	<	1				
A07	792538-6	JIG SAW BLADE B-10		1	*			
A07-1	A-85628	JIGSAW BLADE NO.B10	<	1				
A08	A-02294	JIG SAW BLADE BR-13		1	*			
A08-1	A-85793	JIGSAW BLADE NO.BR13	<	1				
A09	824553-3	PLASTIC CARRYING CASE		1				
C10	416661-0	LATCH		2				
E01B	414938-7	BATTERY COVER		1				
E01D	414938-7	BATTERY COVER		1				
E01F	414938-7	BATTERY COVER		1				
E02B	192827-3	BATTERY 1822 SET		1				
E04D	193102-0	NI-MH(2.6A) BATTERY 1834 SET		1				
E05F	193061-8	BATTERY 1835 SET		1				

Please order the parts with part number.

Print Date 17/6/2019