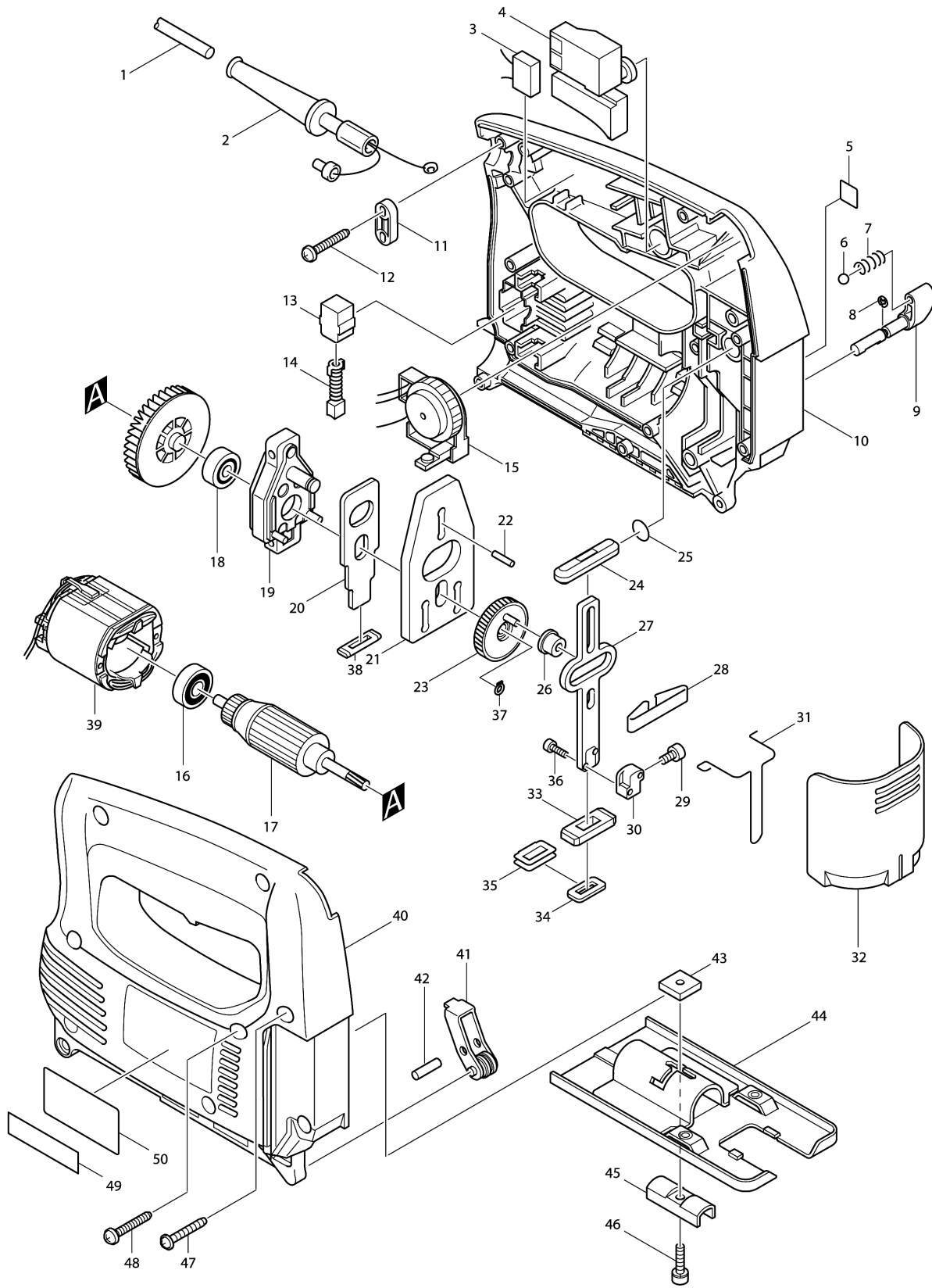


Model No.4324 JIG SAW



Model No.4324 JIG SAW

Item	Parts No.	Description	I/C	Qty	New/Old	Opt. 1	Opt. 2	Note
001F_	666053-5	POWER SUPPLY CORD 1.0-2-2.0		1				
002	682502-4	CORD GUARD 8-85		1				
003	645105-5	NOISE SUPPRESSOR		1				
004	651286-5	SWITCH SGEL206C-5		1				
005	816343-8	INDICATION LABEL		1				
006	216008-6	STEEL BALL 4		1				
007	233151-6	COMPRESSION SPRING 4		1				
008	961011-9	STOP RING E-4		1				
009	272239-7	LEVER 18		1				
010	183051-9	HOUSING SET		1				
C10	263002-9	RUBBER PIN 4		2				
D10		INC. 5,40,49						
011	687063-9	CORD CLAMP		1	*			
011-1	687123-7	STRAIN RELIEF	O	1				
012	265995-6	TAPPING SCREW 4X18		2				
013	643552-4	BRUSH HOLDER 5-8		2	*			
013-1	643562-1	BRUSH HOLDER 5X8	O	2	*			
013-2	643552-4	BRUSH HOLDER 5-8	O	2				
014	191627-8	CARBON BRUSH CB-64		1				
015	631266-7	CONTROLLER 220-240V		1	*			
015-1	620409-6	CONTROLLER	O	1				
016	210025-8	BALL BEARING 627LLB		1				
017	517268-6	ARMATURE ASS'Y 220V		1	*			
D10		INC. 16,18,51			*			
017-1	515718-5	ARMATURE ASS'Y 220V	<	1				
D10		INC. 16,18,51						
018	210005-4	BALL BEARING 608DDW		1				
019	152600-3	BEARING CASE COMPLETE		1				
020	344683-9	PUSH PLATE		1				
021	344614-8	BALANCE PLATE		1				
022	256254-9	PIN 3		1				
023	153260-4	GEAR COMPLETE		1				
024	313082-6	SLIDER GUIDE		1				
025	213038-8	O RING 5		2				
026	257683-9	COLLAR SLEEVE		1				
027	344613-0	SLIDER		1				
028	232183-0	LEAF SPRING		1				
029	922107-1	HEX. SOCKET HEAD BOLT M4X8		1				
030	313083-4	BLADE CLAMP		1				
031	323748-0	SAFETY WIRE		1				
032	416476-5	DUST COVER		1				

Please order the parts with part number.

Print Date 17/6/2019

Model No.4324 JIG SAW

Item	Parts No.	Description	I/C	Qty	New/Old	Opt. 1	Opt. 2	Note
033	313086-8	SLIDER SUPPORT		1				
034	423307-1	POLY URETANE SPONGE SEAL		1				
035	344686-3	SEAL PLATE		1				
036	266177-3	HEX. SOCKET HEAD BOLT M3X10		2				
037	961002-0	RETAINING RING S-6		1				
038	416703-0	DUST SEAL		1				
039	633408-9	FIELD 220/240V		1				
040	183051-9	HOUSING SET		1				
C10	263002-9	RUBBER PIN 4		2				
D10		INC. 5,10,49						
041	152601-1	RETAINER COMPLETE		1				
042	256117-9	PIN 4		1				
043	343540-8	HOLDER		1				
044	163397-9	BASE		1	*			
044-1	317796-9	BASE	S	1				
045	344685-5	CLAMP PLATE		1	*			
045-1	344685-5	CLAMP PLATE	O	1				
046A	266178-1	HEX. SOCKET HEAD BOLT		1	*			
046B	266178-1	HEX. SOCKET HEAD BOLT		1	*			
046C	266178-1	HEX. SOCKET HEAD BOLT		1	*			
046-1	922128-3	HEX. SOCKET HEAD BOLT M4X16	O	1				
047	265995-6	TAPPING SCREW 4X18		9				
048	266053-1	TAPPING SCREW 4X35		1				
049	819063-3	MAKITA LABEL		1				
050	859816-8	NAME PLATE 4324		1	*			
050-1	850955-7	NAME PLATE 4324	O	1				
051	241881-5	FAN 52		1				
A01	792538-6	JIG SAW BLADE B-10		1	*			
A01-1	A-85628	JIGSAW BLADE NO.B10	<	1				
A02	783201-2	HEX. WRENCH 3		1				
A03B	792514-0	JIG SAW BLADE B-13		1	*			
A04B	792517-4	JIG SAW BLADE B-16		1	*			
A05B	792522-1	JIG SAW BLADE B-22		1	*			
A06B	792523-9	JIG SAW BLADE B-23		1	*			
A07B	792691-8	JIG SAW BLADE NO.B-10S		1	*			
A08C	824572-9	PLASTIC CARRYING CASE		1				
C10	186347-7	SLIDE LATCH SET		1				
E08	345441-6	BASE PLATE		1				
E09	912107-9	COUNTERSUNK HEAD SCREW M4X8		4				

Please order the parts with part number.

Print Date 17/6/2019