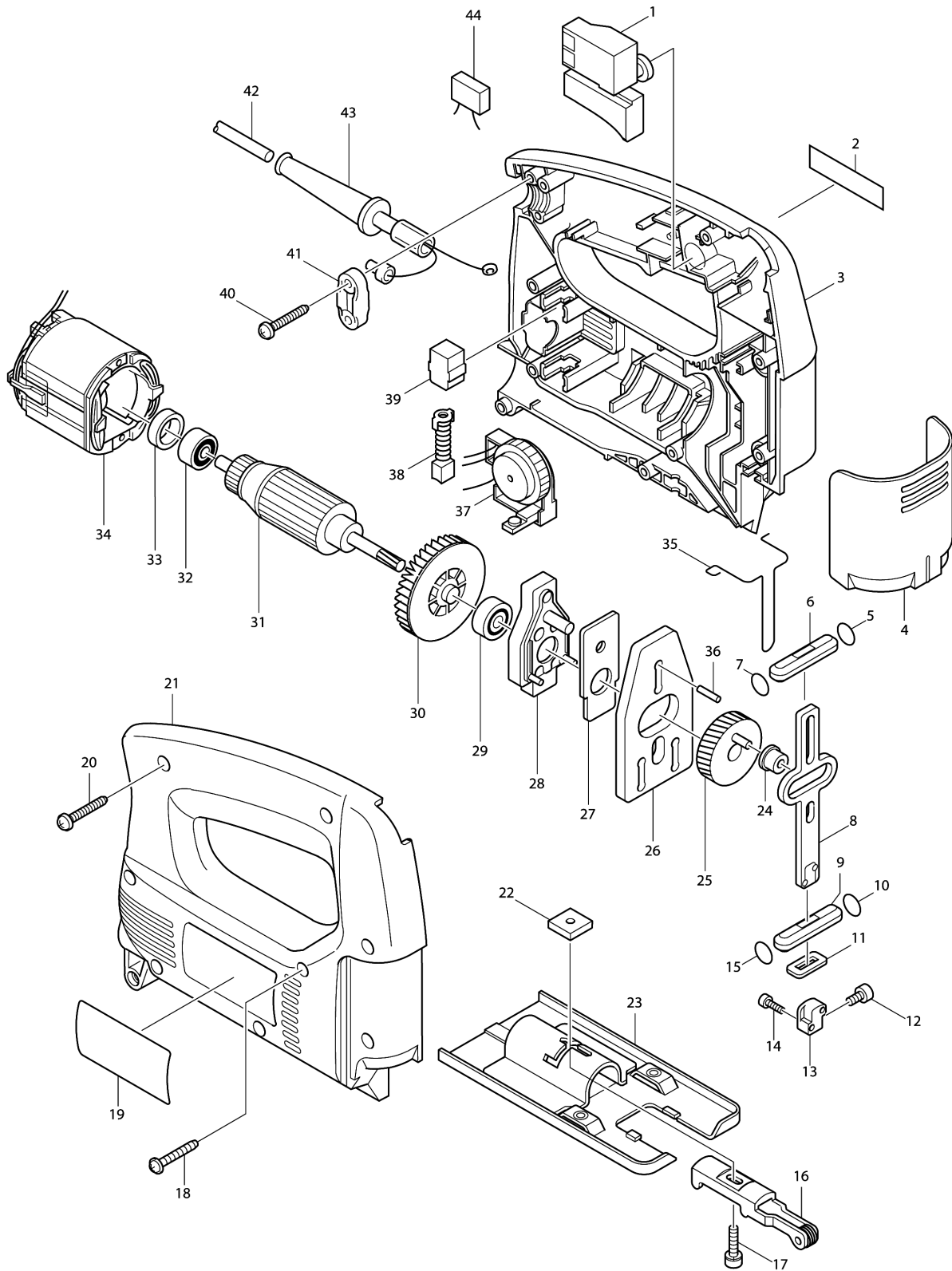


Model No.4323 JIG SAW



Model No.4323 JIG SAW

Item	Parts No.	Description	I/C	Qty	New/Old	Opt. 1	Opt. 2	Note
001	651286-5	SWITCH SGEL206C-5		1				
002	819063-3	MAKITA LABEL		1				
003	183030-7	HOUSING SET		1				
C10	263002-9	RUBBER PIN 4		2				
D10		INC. 2,21						
004	416476-5	DUST COVER		1				
005	213038-8	O RING 5		1				
006	313082-6	SLIDER GUIDE		1				
007	213038-8	O RING 5		1				
008	344613-0	SLIDER		1				
009	313082-6	SLIDER GUIDE		1				
010	213038-8	O RING 5		1				
011	423307-1	POLY URETANE SPONGE SEAL		1				
012	922107-1	HEX. SOCKET HEAD BOLT M4X8		1				
013	313083-4	BLADE CLAMP		1				
014	266177-3	HEX. SOCKET HEAD BOLT M3X10		2				
015	213038-8	O RING 5		1				
016	152578-0	RETAINER COMPLETE		1				
017A	266178-1	HEX. SOCKET HEAD BOLT		1	*			
017B	266178-1	HEX. SOCKET HEAD BOLT		1	*			
017C	266178-1	HEX. SOCKET HEAD BOLT		1	*			
017-1	922128-3	HEX. SOCKET HEAD BOLT M4X16	O	1				
018	266053-1	TAPPING SCREW 4X35		1				
019	859322-3	NAME PLATE 4323		1	*			
019-1	850953-1	NAME PLATE 4323	O	1				
020	265995-6	TAPPING SCREW 4X18		9				
021	183030-7	HOUSING SET		1				
C10	263002-9	RUBBER PIN 4		2				
D10		INC. 2,3						
022	343540-8	HOLDER		1				
023	163397-9	BASE		1				
024	257683-9	COLLAR SLEEVE		1				
025	153254-9	GEAR COMPLETE		1				
026	344614-8	BALANCE PLATE		1				
027	344615-6	THRUST PLATE		1				
028	152577-2	BEARING CASE COMPLETE		1				
029	210005-4	BALL BEARING 608DDW		1				
030	241881-5	FAN 52		1				
031B_	517268-6	ARMATURE ASS'Y 220V		1	*			
D10		INC. 29,30,32			*			

Please order the parts with part number.

Print Date 17/6/2019

Model No.4323 JIG SAW

Item	Parts No.	Description	I/C	Qty	New/Old	Opt. 1	Opt. 2	Note
031B1	515718-5	ARMATURE ASS'Y 220V	<	1				
D10		INC. 29,30,32						
032	211021-9	BALL BEARING 607LLB		1	*			
032-1	210025-8	BALL BEARING 627LLB	X	1				
034B_	633408-9	FIELD 220/240V		1				
035	323748-0	SAFETY WIRE		1				
036	256254-9	PIN 3		1				
037B_	631266-7	CONTROLLER 220-240V		1	*			
037B1	620409-6	CONTROLLER	O	1				
038A_	191627-8	CARBON BRUSH CB-64		1				
039	643552-4	BRUSH HOLDER 5-8		2	*			
039-1	643562-1	BRUSH HOLDER 5X8	O	2	*			
039-2	643552-4	BRUSH HOLDER 5-8	O	2				
040	265995-6	TAPPING SCREW 4X18		2				
041A_	687063-9	CORD CLAMP		1	*			
041A1	687123-7	STRAIN RELIEF	O	1				
042F_	666053-5	POWER SUPPLY CORD 1.0-2-2.0		1				
043	682502-4	CORD GUARD 8-85		1				
044	645105-5	NOISE SUPPRESSOR		1				
A01	792538-6	JIG SAW BLADE B-10		1	*			
A01-1	A-85628	JIGSAW BLADE NO.B10	<	1				
A02	783201-2	HEX. WRENCH 3		1				
A03B	792514-0	JIG SAW BLADE B-13		1	*			
A04B	792517-4	JIG SAW BLADE B-16		1	*			
A05B	792522-1	JIG SAW BLADE B-22		1	*			
A06B	792523-9	JIG SAW BLADE B-23		1	*			
A07B	792691-8	JIG SAW BLADE NO.B-10S		1	*			
A08C	824572-9	PLASTIC CARRYING CASE		1				
C10	186347-7	SLIDE LATCH SET		1				

Please order the parts with part number.

Print Date 17/6/2019