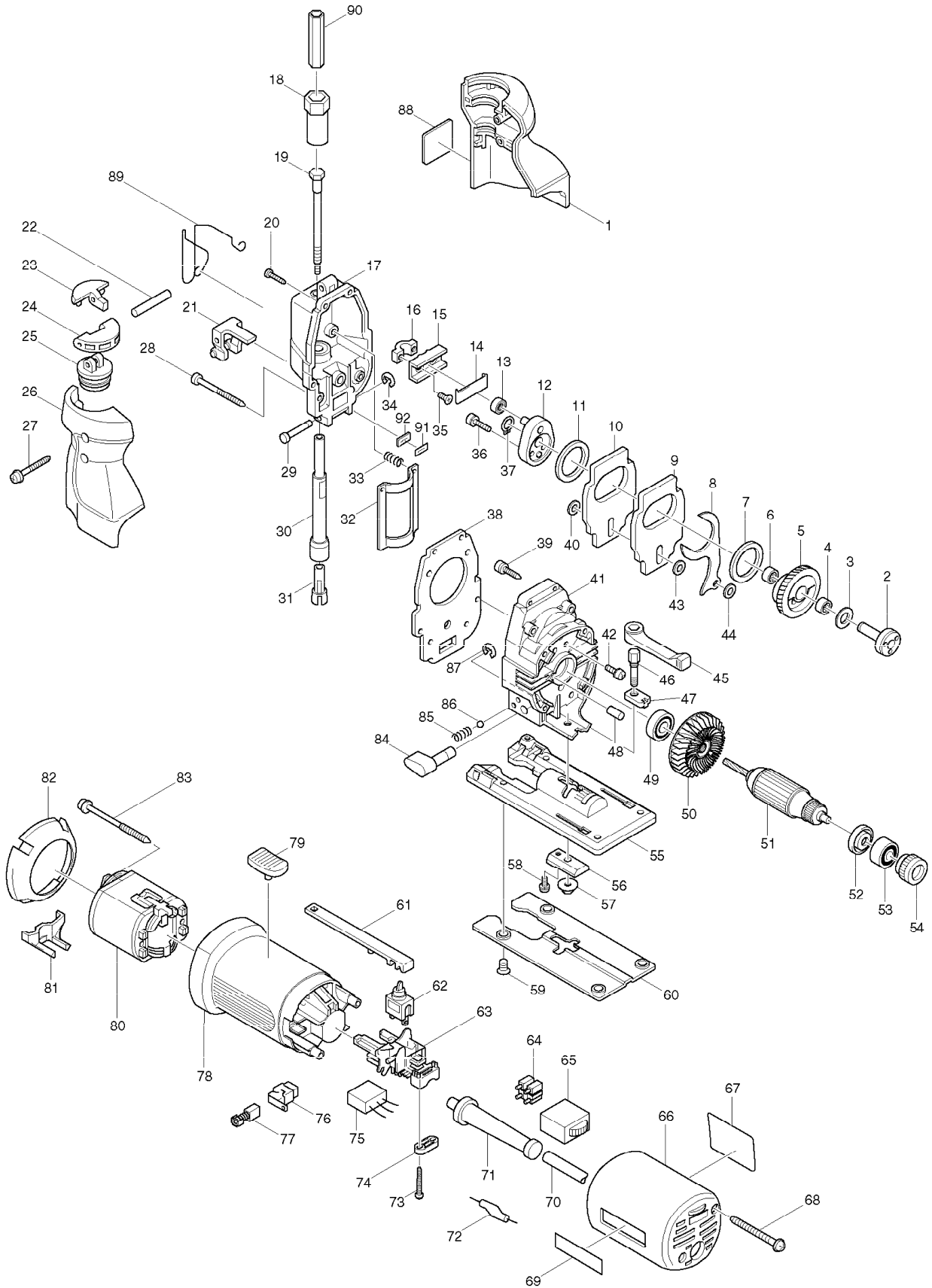


# SERVICE DRAWING

MODEL NO. 4305T



# SPARE PARTS LIST

MODEL NO. 4305T

ITEM	PART NO.	DESCRIPTION	QTY	NOTE
001	182789-3	HEAD COVER SET	1	
002	322691-0	GEAR SHAFT	1	
003	253139-0	FLAT WASHER 8	1	
004	212043-2	NEEDLE BEARING 810	1	
005	226428-6	HELICAL GEAR 51	1	
006	212043-2	NEEDLE BEARING 810	1	
007	253792-2	FLAT WASHER 26	1	
008	344134-2	PUSH PLATE	1	
009	*****	*****	***	*****
010	*****	*****	***	*****
011	253792-2	FLAT WASHER 26	1	
012	152454-8	CRANK COMPLETE	1	
013	212010-7	NEEDLE BEARING 607	1	
014	344232-2	THRUST PLATE	1	
015	*****	*****	***	*****
016	316608-3	HOLDER	1	
017	*****	*****	***	*****
018	*****	*****	***	*****
019	322826-3	DRIVER ROD	1	
020	266034-5	TAPPING SCREW CT 4X16	2	
021	*****	*****	***	*****
022	256201-0	PIN 5	1	
023	415883-9	LIFT BUTTON	1	
024	415885-5	KNOB	1	
025	415884-7	BOX WRENCH	1	
026	182789-3	HEAD COVER SET	1	
027	266053-1	TAPPING SCREW 4X35	2	
028	266147-2	TAPPING SCREW 4X55	2	
029	256693-3	PIN 4	1	
030	168282-1	ROD	1	
031	310005-5	BLADE FIX	1	
032	344137-6	SLIDE PLATE	1	
033	233151-6	COMPRESSION SPRING 4	2	
034	961017-7	STOP RING E-3	1	
035	265035-0	COUNTERSUNK HEAD SCREW M4X10	2	
036	922126-7	HEX. SOCKET HEAD BOLT M4X16	2	
037	961004-6	RETAINING RING S-8	1	
038	*****	*****	***	*****
039	266045-0	TAPPING SCREW 4X20	2	
040	253715-0	FLAT WASHER 6	1	
041	*****	*****	***	*****
042	911111-5	PAN HEAD SCREW M4X10	3	
043	253715-0	FLAT WASHER 6	1	
044	253811-4	FLAT WASHER 5	1	
045	272232-1	LEVER 65	1	
046	265434-6	HEX. BOLT M5X24	1	
047	344332-8	NUT M6	1	
048	263002-9	RUBBER PIN 4	1	
049	211031-6	BALL BEARING 608LLB	1	
050	*****	*****	***	*****
051	517098-5	ARMATURE ASS'Y 220V	1	
052	681636-0	INSULATION WASHER	1	
053	211021-9	BALL BEARING 607LLB	1	

# SPARE PARTS LIST

MODEL NO. 4305T

ITEM	PART NO.	DESCRIPTION	QTY	NOTE
054	421494-0	RUBBER RING 19	1	
055	316777-0	BASE	1	
056	344333-6	CLAMP PLATE	1	
057	252142-8	HEX.NUT FLANGE M5	1	
058	911109-2	PAN HEAD SCREW M4X8	1	
059	912202-5	COUNTERSUNK HEAD SCREW M5X8	4	
060	*****	*****	***	*****
061	415522-1	SWITCH ROD	1	
062	*****	*****	***	*****
063	687070-2	SUPPORT	1	
064	654531-7	TERMINAL BLOCK 2P	1	
065	*****	*****	***	*****
066	415531-0	REAR COVER	1	
067	858430-7	NAME PLATE 4305T	1	
068	266052-3	TAPPING SCREW 4X60	2	
069	819063-3	MAKITA LABEL	1	
070	665394-6	POWER SUPPLY CORD 1.0-2-2.5	1	
071	682502-4	CORD GUARD 8-85	1	
072	646083-2	CHOKE COIL	1	
073	265995-6	TAPPING SCREW 4X18	2	
074	687052-4	STRAIN RELIEF	1	
075	645259-8	NOISE SUPPRESSOR	1	
076	643923-5	BRUSH HOLDER	2	
077	191962-4	CARBON BRUSH CB-419	1	
078	415748-5	MOTOR HOUSING	1	
079	415523-9	SWITCH LEVER	1	
080	633288-3	FIELD 220V	1	
081	415879-0	AIR CAP	1	
082	415878-2	BAFFLE PLATE	1	
083	266052-3	TAPPING SCREW 4X60	2	
084	272231-3	LEVER 17	1	
085	233151-6	COMPRESSION SPRING 4	1	
086	216008-6	STEEL BALL 4	1	
087	961018-5	STOP RING E-5	1	
088	810835-9	CAUTION LABEL	1	
089	322893-8	SAFETY WIRE	1	
090	344537-0	HEX. SLEEVE	1	
091	344784-3	SEAL PLATE	1	
092	443106-5	FELT 10-20	1	
A01	*****	*****	***	*****
A02	415887-1	PROTECTOR	1	
A03	415524-7	ANTI-SPLINTERING DEVICE	1	
A04	*****	*****	***	*****
A05	*****	*****	***	*****
A06	*****	*****	***	*****
A07	*****	*****	***	*****
E01	192547-9	VACUUM HEAD	1	