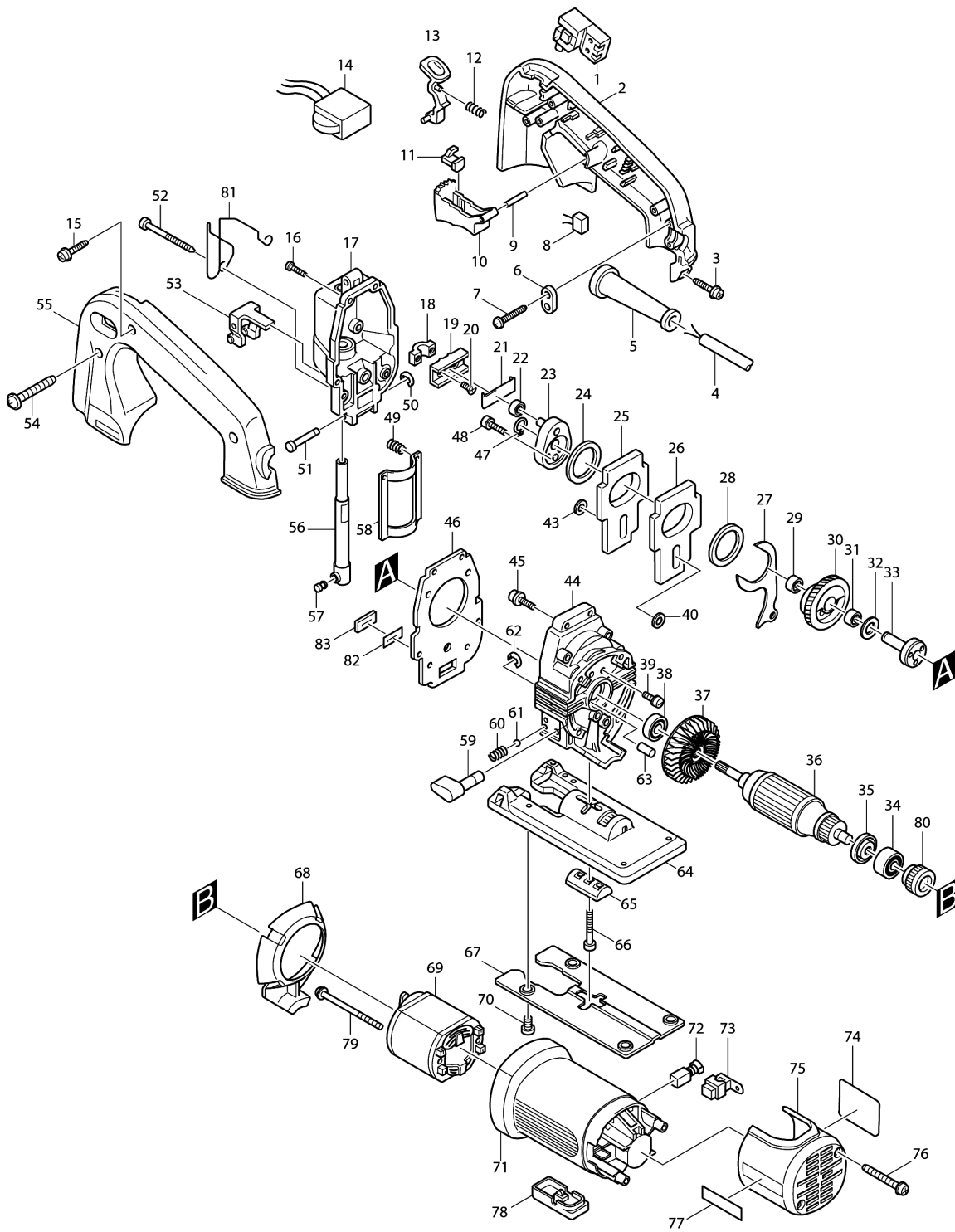


# Model No.4304 JIG SAW





## Model No.4304 JIG SAW

| Item  | Parts No. | Description                     | I/C | Qty | New/Old | Opt. 1 | Opt. 2 | Note |
|-------|-----------|---------------------------------|-----|-----|---------|--------|--------|------|
| 001   | 651922-3  | SWITCH TG71B                    |     | 1   |         |        |        |      |
| 002   | 182680-5  | HANDLE SET                      |     | 1   |         |        |        |      |
| D10   |           | INC. 55                         |     |     |         |        |        |      |
| 003A_ | 266120-2  | TAPPING SCREW FLANGE<br>PF4X20  |     | 1   | *       |        |        |      |
| 003A1 | 266045-0  | TAPPING SCREW 4X20              | O   | 1   |         |        |        |      |
| 004M_ | 665394-6  | POWER SUPPLY CORD 1.0-2-<br>2.5 |     | 1   |         |        |        |      |
| 005A_ | 682502-4  | CORD GUARD 8-85                 |     | 1   |         |        |        |      |
| 006A_ | 687052-4  | STRAIN RELIEF                   |     | 1   |         |        |        |      |
| 007A_ | 266121-0  | TAPPING SCREW FLANGE PF<br>4X18 |     | 2   | *       |        |        |      |
| 007A1 | 265995-6  | TAPPING SCREW 4X18              | O   | 2   |         |        |        |      |
| 008C_ | 645258-0  | NOISE SUPPRESSOR                |     | 1   | *       |        |        |      |
| 008C1 | 645145-3  | NOISE SUPPRESSOR                | O   | 1   |         |        |        |      |
| 009   | 256221-4  | PIN 3                           |     | 1   |         |        |        |      |
| 010   | 415158-6  | SWITCH LEVER                    |     | 1   |         |        |        |      |
| 011   | 415159-4  | SPACER                          |     | 1   |         |        |        |      |
| 012   | 233101-1  | COMPRESSION SPRING 4            |     | 1   |         |        |        |      |
| 013   | 415534-4  | LOCK-ON LEVER                   |     | 1   |         |        |        |      |
| 014C_ | 631202-3  | CONTROLLER 200-240V             |     | 1   | *       |        |        |      |
| 014C1 | 631678-4  | CONTROLLER                      | O   | 1   |         |        |        |      |
| 015A_ | 266120-2  | TAPPING SCREW FLANGE<br>PF4X20  |     | 2   | *       |        |        |      |
| 015A1 | 266045-0  | TAPPING SCREW 4X20              | O   | 2   |         |        |        |      |
| 016   | 266034-5  | TAPPING SCREW CT 4X16           |     | 2   |         |        |        |      |
| 017   | 159716-5  | GEAR HOUSING COVER<br>COMPLETE  |     | 1   | *       |        |        |      |
| C06   | 214005-6  | PLANE BEARING 8                 |     | 1   | *       |        |        |      |
| C11   | 214061-6  | PLANE BEARING 10                |     | 1   | *       |        |        |      |
| C16   | 262064-4  | SPONGE RING                     |     | 1   | *       |        |        |      |
| C21   | 267124-7  | FLAT WASHER                     |     | 1   | *       |        |        |      |
| C26   | 267125-5  | FLAT WASHER 9                   |     | 1   | *       |        |        |      |
| C31   | 423263-5  | SPONGE SHEET 11-20              |     | 1   | *       |        |        |      |
| C36   | 951057-3  | SPRING PIN 3-12                 |     | 2   | *       |        |        |      |
| 017-1 | 151596-5  | GEAR HOUSING COVER<br>COMPLETE  | S   | 1   | *       |        |        |      |
| C10   | 214005-6  | PLANE BEARING 8                 |     | 1   | *       |        |        |      |
| C20   | 951057-3  | SPRING PIN 3-12                 |     | 2   | *       |        |        |      |
| 017-2 | 153389-6  | GEAR HOUSING COVER<br>COMPLETE  | <   | 1   |         |        |        |      |
| C10   | 214005-6  | PLANE BEARING 8                 |     | 1   |         |        |        |      |
| C20   | 951057-3  | SPRING PIN 3-12                 |     | 2   |         |        |        |      |
| C30   | 253310-6  | THIN WASHER 10                  |     | 1   |         |        |        |      |
| C40   | 421821-1  | DUST SEAL 8                     |     | 1   |         |        |        |      |
| 018   | 316608-3  | HOLDER                          |     | 1   |         |        |        |      |

Please order the parts with part number.

Print Date 17/6/2019

## Model No.4304 JIG SAW

| Item  | Parts No. | Description                     | I/C | Qty | New/Old | Opt. 1 | Opt. 2 | Note |
|-------|-----------|---------------------------------|-----|-----|---------|--------|--------|------|
| 019   | 313069-8  | SLIDER                          |     | 1   | *       |        |        |      |
| 019-1 | 310028-3  | SLIDER                          | O   | 1   |         |        |        |      |
| 020   | 265035-0  | COUNTERSUNK HEAD SCREW<br>M4X10 |     | 2   |         |        |        |      |
| 021   | 344232-2  | THRUST PLATE                    |     | 1   |         |        |        |      |
| 022   | 212010-7  | NEEDLE BEARING 607              |     | 1   |         |        |        |      |
| 023   | 152454-8  | CRANK COMPLETE                  |     | 1   |         |        |        |      |
| C10   | 256033-5  | PIN 6                           |     | 1   |         |        |        |      |
| 024   | 253792-2  | FLAT WASHER 26                  |     | 1   |         |        |        |      |
| 025   | 344133-4  | BALANCE PLATE                   |     | 1   | *       |        |        |      |
| 025-1 | 344330-2  | BALANCE PLATE                   | O   | 1   |         |        |        |      |
| 026   | 344133-4  | BALANCE PLATE                   |     | 1   | *       |        |        |      |
| 026-1 | 344330-2  | BALANCE PLATE                   | O   | 1   |         |        |        |      |
| 027   | 344134-2  | PUSH PLATE                      |     | 1   |         |        |        |      |
| 028   | 253792-2  | FLAT WASHER 26                  |     | 1   |         |        |        |      |
| 029-1 | 212043-2  | NEEDLE BEARING 810              |     | 1   |         |        |        |      |
| 030   | 226428-6  | HELICAL GEAR 51                 |     | 1   |         |        |        |      |
| 031-1 | 212043-2  | NEEDLE BEARING 810              |     | 1   |         |        |        |      |
| 032   | 253139-0  | FLAT WASHER 8                   |     | 1   |         |        |        |      |
| 033   | 322691-0  | GEAR SHAFT                      |     | 1   |         |        |        |      |
| 034   | 211021-9  | BALL BEARING 607LLB             |     | 1   |         |        |        |      |
| 035   | 681636-0  | INSULATION WASHER               |     | 1   |         |        |        |      |
| 036C_ | 517098-5  | ARMATURE ASS'Y 220V             |     | 1   |         |        |        |      |
| D10   |           | INC. 34,35,37,38                |     |     |         |        |        |      |
| 037A_ | 241875-0  | FAN 54                          |     | 1   | *       |        |        |      |
| 037A1 | 240039-3  | FAN 54                          | X   | 1   |         |        |        |      |
| 038   | 211031-6  | BALL BEARING 608LLB             |     | 1   |         |        |        |      |
| 039   | 911111-5  | PAN HEAD SCREW M4X10<br>WITH W  |     | 3   |         |        |        |      |
| 040   | 253715-0  | FLAT WASHER 6                   |     | 1   |         |        |        |      |
| 043   | 253715-0  | FLAT WASHER 6                   |     | 1   |         |        |        |      |
| 044   | 159715-7  | GEAR HOUSING COMPLETE           |     | 1   | *       |        |        |      |
| D10   |           | INC. 63                         |     |     | *       |        |        |      |
| 044-1 | 151594-9  | GEAR HOUSING COMPLETE           | X   | 1   |         |        |        |      |
| D10   |           | INC. 63                         |     |     |         |        |        |      |
| 045A_ | 266120-2  | TAPPING SCREW FLANGE<br>PF4X20  |     | 2   | *       |        |        |      |
| 045A1 | 266045-0  | TAPPING SCREW 4X20              | O   | 2   |         |        |        |      |
| 046   | 442119-3  | PACKING                         |     | 1   | *       |        |        |      |
| 046-1 | 442123-2  | PACKING                         | X   | 1   |         |        |        |      |
| 047   | 961004-6  | RETAINING RING S-8              |     | 1   |         |        |        |      |
| 048-1 | 922126-7  | HEX. SOCKET HEAD BOLT<br>M4X16  |     | 2   |         |        |        |      |
| 049   | 231314-8  | COMPRESSION SPRING 4            |     | 2   |         |        |        |      |

Please order the parts with part number.

Print Date 17/6/2019

## Model No.4304 JIG SAW

| Item  | Parts No. | Description                      | I/C | Qty | New/Old | Opt. 1 | Opt. 2 | Note |
|-------|-----------|----------------------------------|-----|-----|---------|--------|--------|------|
| 050   | 961017-7  | STOP RING E-3                    |     | 1   |         |        |        |      |
| 051   | 256693-3  | PIN 4                            |     | 1   |         |        |        |      |
| 052A_ | 266115-5  | TAPPING SCREW FLANGE PF<br>4X55  |     | 2   | *       |        |        |      |
| 052A1 | 266147-2  | TAPPING SCREW 4X55               | O   | 2   |         |        |        |      |
| 053   | 151426-0  | RETAINER COMPLETE                |     | 1   | *       |        |        |      |
| C10   | 256667-4  | PIN 4                            |     | 1   | *       |        |        |      |
| C20   | 322709-7  | ROLLER                           |     | 1   | *       |        |        |      |
| C30   | 961017-7  | STOP RING E-3                    |     | 1   | *       |        |        |      |
| 053-1 | 152947-5  | RETAINER COMPLETE                | X   | 1   |         |        |        |      |
| C10   | 268074-9  | PIN 4                            |     | 1   |         |        |        |      |
| C20   | 152950-6  | ROLLER COMPLETE                  |     | 1   |         |        |        |      |
| C30   | 961017-7  | STOP RING E-3                    |     | 1   |         |        |        |      |
| 054A_ | 266117-1  | TAPPING SCREW FLANGE PF<br>4X35  |     | 1   | *       |        |        |      |
| 054A1 | 266053-1  | TAPPING SCREW 4X35               | O   | 1   |         |        |        |      |
| 055   | 182680-5  | HANDLE SET                       |     | 1   |         |        |        |      |
| D10   |           | INC. 2                           |     |     |         |        |        |      |
| 056   | 165089-6  | ROD                              |     | 1   |         |        |        |      |
| 057   | 265894-2  | H.S.SET SCREW(CUP POINT)<br>M6X8 |     | 1   |         |        |        |      |
| 058   | 344137-6  | SLIDE PLATE                      |     | 1   |         |        |        |      |
| 059   | 272231-3  | LEVER 17                         |     | 1   |         |        |        |      |
| 060   | 231314-8  | COMPRESSION SPRING 4             |     | 1   |         |        |        |      |
| 061   | 216008-6  | STEEL BALL 4                     |     | 1   |         |        |        |      |
| 062   | 961018-5  | STOP RING E-5                    |     | 1   |         |        |        |      |
| 063   | 263002-9  | RUBBER PIN 4                     |     | 1   |         |        |        |      |
| 064   | 316605-9  | BASE                             |     | 1   | *       |        |        |      |
| 064-1 | 316883-1  | BASE                             | S   | 1   |         |        |        |      |
| 065   | 331435-7  | CLAMP PLATE                      |     | 1   |         |        |        |      |
| 066   | 922146-1  | HEX. SOCKET HEAD BOLT<br>M4X25   |     | 1   |         |        |        |      |
| 067   | 344136-8  | BASE PLATE                       |     | 1   | *       |        |        |      |
| 067-1 | 344443-9  | BASE PLATE                       | S   | 1   |         |        |        |      |
| 068   | 415535-2  | BAFFLE PLATE                     |     | 1   |         |        |        |      |
| 069C_ | 633288-3  | FIELD 220V                       |     | 1   |         |        |        |      |
| 070   | 266055-7  | HEX. SOCKET HEAD BOLT<br>M5X8    |     | 4   |         |        |        |      |
| 071   | 415528-9  | MOTOR HOUSING                    |     | 1   | *       |        |        |      |
| 071-1 | 415748-5  | MOTOR HOUSING                    | S   | 1   |         |        |        |      |
| 072A_ | 191962-4  | CARBON BRUSH CB-419              |     | 1   |         |        |        |      |
| 073   | 643923-5  | BRUSH HOLDER                     |     | 2   |         |        |        |      |
| 074   | 857555-4  | NAME PLATE 4304                  |     | 1   |         |        |        |      |
| 075   | 415532-8  | REAR COVER                       |     | 1   |         |        |        |      |
| 076A_ | 266118-9  | TAPPING SCREW FLANGE PF<br>4X30  |     | 2   | *       |        |        |      |

Please order the parts with part number.

Print Date 17/6/2019

## Model No.4304 JIG SAW

| Item  | Parts No. | Description                     | I/C | Qty | New/Old | Opt. 1 | Opt. 2 | Note |
|-------|-----------|---------------------------------|-----|-----|---------|--------|--------|------|
| 076A1 | 266050-7  | TAPPING SCREW 4X30              | O   | 2   |         |        |        |      |
| 077   | 819080-3  | MAKITA LABEL                    |     | 1   |         |        |        |      |
| 078   | 415538-6  | CAP                             |     | 1   |         |        |        |      |
| 079A_ | 266114-7  | TAPPING SCREW FLANGE PF<br>4X60 |     | 2   | *       |        |        |      |
| 079A1 | 266052-3  | TAPPING SCREW 4X60              | O   | 2   |         |        |        |      |
| 080   | 421494-0  | RUBBER RING 19                  |     | 1   |         |        |        |      |
| 081   | 322893-8  | SAFETY WIRE                     |     | 1   |         |        |        |      |
| 082   | 344784-3  | SEAL PLATE                      |     | 1   |         |        |        |      |
| 083   | 443106-5  | FELT 10-20                      |     | 1   |         |        |        |      |
| A01   | 783201-2  | HEX. WRENCH 3                   |     | 1   |         |        |        |      |
| A02   | 410048-8  | WRENCH HOLDER 3.4               |     | 1   |         |        |        |      |
| A03   | 415524-7  | ANTI-SPLINTERING DEVICE         |     | 1   |         |        |        |      |
| A04   | 415525-5  | PLASTIC COVER                   |     | 1   | *       |        |        |      |
| A04-1 | 415887-1  | PROTECTOR                       | S   | 1   |         |        |        |      |
| A05   | 792522-1  | JIG SAW BLADE B-22              |     | 1   | *       |        |        |      |
| A05-1 | A-85737   | JIGSAW BLADE NO.B22             | <   | 1   |         |        |        |      |
| A06   | 792538-6  | JIG SAW BLADE B-10              |     | 1   | *       |        |        |      |
| A06-1 | A-85628   | JIGSAW BLADE NO.B10             | <   | 1   |         |        |        |      |
| A07-1 | A-02294   | JIG SAW BLADE BR-13             |     | 1   | *       |        |        |      |
| A07-2 | A-85793   | JIGSAW BLADE NO.BR13            | <   | 1   |         |        |        |      |
| A08   | 415537-8  | BASE PLATE                      |     | 1   | *       |        |        |      |
| A08-1 | 413068-1  | BASE PLATE                      | S   | 1   |         |        |        |      |
| A09-1 | 824536-3  | PLASTIC CARRYING CASE           |     | 1   | *       |        |        |      |
| A09-2 | 824662-8  | PLASTIC CARRYING CASE           | O   | 1   | *       |        |        |      |
| C10   | 183091-7  | SLIDE LATCH RL SET              |     | 1   | *       |        |        |      |
| A09-3 | 824809-4  | PLASTIC CARRYING CASE           | <   | 1   |         |        |        |      |
| E03   | 654128-2  | EARTH TERMINAL                  |     | 1   |         |        |        |      |
| E04   | 646067-0  | CHOKE COIL                      |     | 1   |         |        |        |      |
| E05   | 192547-9  | VACUUM HEAD                     |     | 1   |         |        |        |      |
| E07   | 654556-1  | CONNECTOR                       |     | 1   |         |        |        |      |

Please order the parts with part number.

Print Date 17/6/2019