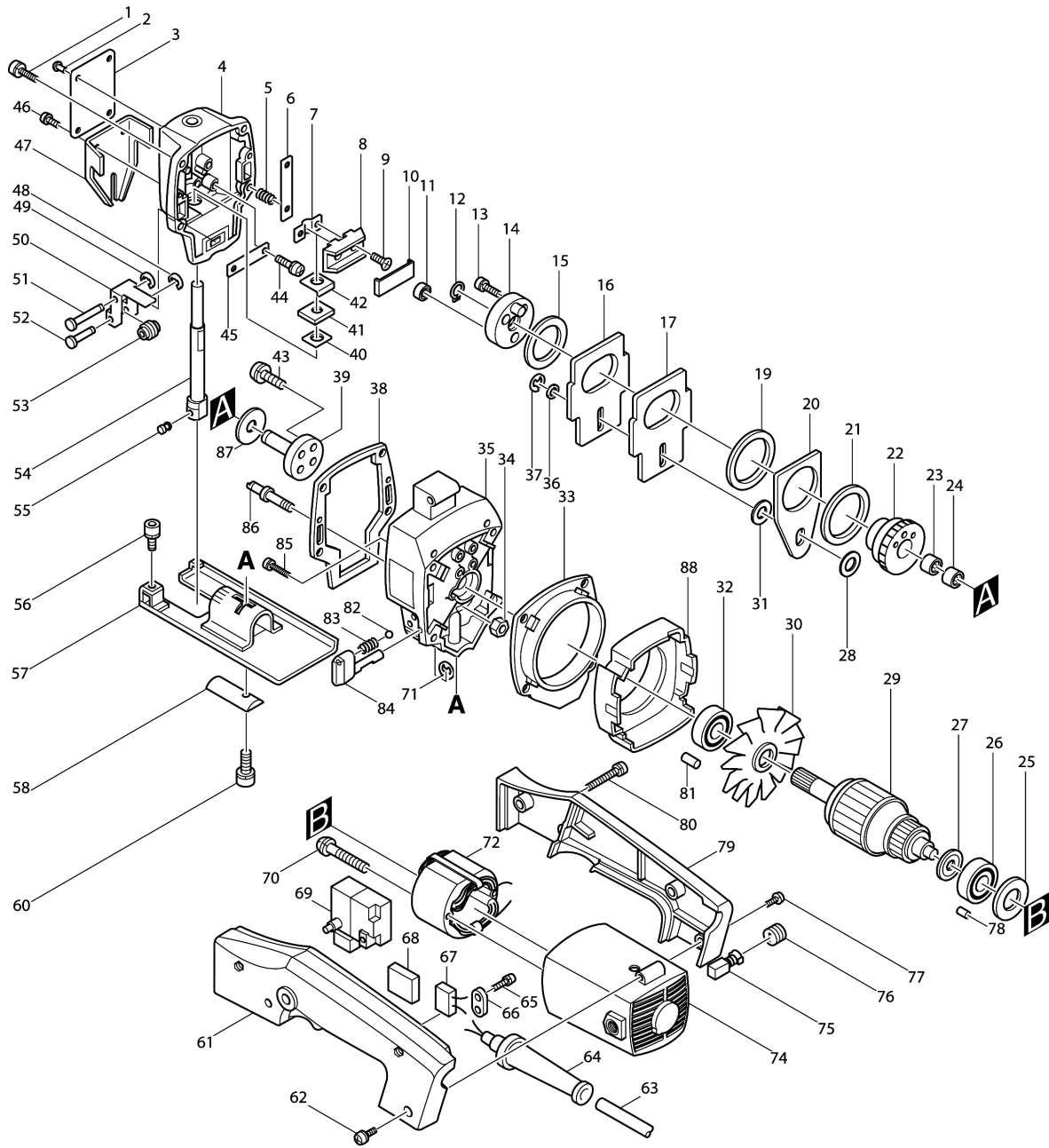


Model No.4301BV JIG SAW



Model No.4301BV JIG SAW

Item	Parts No.	Description	I/C	Qty	New/Old	Opt. 1	Opt. 2	Note
001	911136-9	PAN HEAD SCREW M4X20		4				
002	953106-2	RIVET 0-5		4				
003	854968-0	NAME PLATE 4301BV		1				
004	157219-3	GEAR HOUSING COVER		1				
C10	214001-4	PLANE BEARING 8		1				
C20	256723-0	PIN 5		2				
C30	423099-2	SPONGE SHEET 11-20		1				
C41	951060-4	SPRING PIN 3-14		2				
005	231314-8	COMPRESSION SPRING 4		4				
006	342688-3	SLIDE PLATE		2				
007	342682-5	SLIDER SUPPORT		1				
008	331237-1	SLIDER		1				
009	251263-3	COUNTERSUNK HEAD SCREW M4X12		2				
010	342685-9	SLIDER PLATE		1				
011	212010-7	NEEDLE BEARING 607		1				
012	961004-6	RETAINING RING S-8		1				
013	911221-8	PAN HEAD SCREW M5X16		2				
014	152243-1	CRANK COMPLETE		1				
C10	256002-6	PIN 6		1				
C20	256405-4	PIN 6-7		1				
015	253122-7	FLAT WASHER 26		1				
016-1	342846-1	BALANCE PLATE		1				
017-1	342846-1	BALANCE PLATE		1				
019	253880-5	FLAT WASHER 35		1				
020	342684-1	PUSH PLATE		1				
021	253879-0	FLAT WASHER 35		1				
022	221725-5	HELICAL GEAR 51		1				
023	212005-0	NEEDLE BEARING 810		1				
024	212005-0	NEEDLE BEARING 810		1				
025	253192-6	FLAT WASHER 14		1				
026	211033-2	BALL BEARING 608LB		1				
027A1	681625-5	INSULATION WASHER		1				
028	253758-2	FLAT WASHER 10		1				
029C_	512808-5	ARMATURE ASS'Y 220V		1				
D10		INC. 26,27,30						
030-1	241518-4	FAN 68		1				
031	253878-2	FLAT WASHER 10		1				
032	211033-2	BALL BEARING 608LB		1				
033	342689-1	BAFFLE PLATE		1				
034	931302-2	HEX. NUT M6		1				
035	157220-8	GEAR HOUSING		1				
C10	256137-3	PIN 5		2				

Please order the parts with part number.

Print Date 17/6/2019

Model No.4301BV JIG SAW

Item	Parts No.	Description	I/C	Qty	New/Old	Opt. 1	Opt. 2	Note
C20	816145-2	INDICATION LABEL		1				
C30	951051-5	SPRING PIN 3-8		2				
D10		INC. 81						
036	253077-6	FLAT WASHER 6		1				
037	961011-9	STOP RING E-4		1				
038	442062-6	PACKING		1				
039	321647-0	GEAR SHAFT		1				
040	253968-1	WASHER 9		1				
041	443059-8	FELT		1				
042	342736-8	DUST PLATE		1				
043	911116-5	PAN HEAD SCREW M4X12		4				
044	911106-8	PAN HEAD SCREW M4X8		2				
045	342686-7	HOLDER		1				
046	911113-1	PAN HEAD SCREW M4X10 WITH WR		2				
047	410215-5	PROTECTOR		1				
048	961017-7	STOP RING E-3		1				
049	961017-7	STOP RING E-3		1				
050-1	151364-6	RETAINER COMPLETE		1				
D10		INC. 48,52,53						
051	256639-9	PIN 4		1				
052-1	256667-4	PIN 4		1				
053-1	321390-1	ROLLER		1				
054-1	164861-3	ROD		1				
055-1	265894-2	H.S.SET SCREW(CUP POINT) M6X8		1				
056	922117-8	HEX. SOCKET HEAD BOLT M4X12		1				
057-1	164927-9	BASE		1				
058	315643-8	CLAMP PLATE		1				
060-1	922136-4	HEX. SOCKET HEAD BOLT M4X20		1				
061	181150-1	HANDLE SET		1				
D10		INC. 79						
062	911223-4	PAN HEAD SCREW M5X16		2				
063Y_	665394-6	POWER SUPPLY CORD 1.0-2- 2.5		1				
064A_	682502-4	CORD GUARD 8-85		1				
065-1	911133-5	PAN HEAD SCREW M4X18		2				
066D_	687031-2	STRAIN RELIEF		1				
067I_	645253-0	NOISE SUPPRESSOR		1				
068	685700-9	SPONGE SHEET		1				
069F_	651247-5	SWITCH 11-12		1	*			
069F1	651256-4	SWITCH SGEL106CV-1A	O	1				
070-2	911666-0	PAN HEAD SCREW M5X45		2				

Please order the parts with part number.

Print Date 17/6/2019

Model No.4301BV JIG SAW

Item	Parts No.	Description	I/C	Qty	New/Old	Opt. 1	Opt. 2	Note
071	961011-9	STOP RING E-4		1				
072E_	528719-4	FIELD ASS'Y 220V		1				
074-1	157819-9	MOTOR HOUSING		1				
075A_	181021-2	CARBON BRUSH CB-51		1				
076	643550-8	BRUSH HOLDER CAP 5-8		2				
077	911223-4	PAN HEAD SCREW M5X16		2				
078-1	263014-2	RUBBER PIN 4		1				
079	181150-1	HANDLE SET		1				
D10		INC. 61						
080	911153-9	PAN HEAD SCREW M4X28		2				
081	263002-9	RUBBER PIN 4		1				
082	216008-6	STEEL BALL 4		1				
083	231314-8	COMPRESSION SPRING 4		1				
084	272217-7	LEVER 23		1				
085	911146-6	PAN HEAD SCREW M4X25		4				
086	321648-8	GUIDE PIN		1				
087	253877-4	FLAT WASHER 8		1				
088	410199-7	BAFFLE PLATE		1				
400	271601-3	KNOB 20		1				
401	164112-4	CIRCULAR GUIDE		1				
402	323223-6	CIRCULAR GUIDE PIN		1				
403	164113-2	GUIDE RULE		1				
404-1	410048-8	WRENCH HOLDER 3.4		1				
405	783201-2	HEX. WRENCH 3		1				
406-1	792408-9	JIG SAW BLADE SET		1				
900-2	181788-2	STEEL CARRYING CASE		1				

Please order the parts with part number.

Print Date 17/6/2019