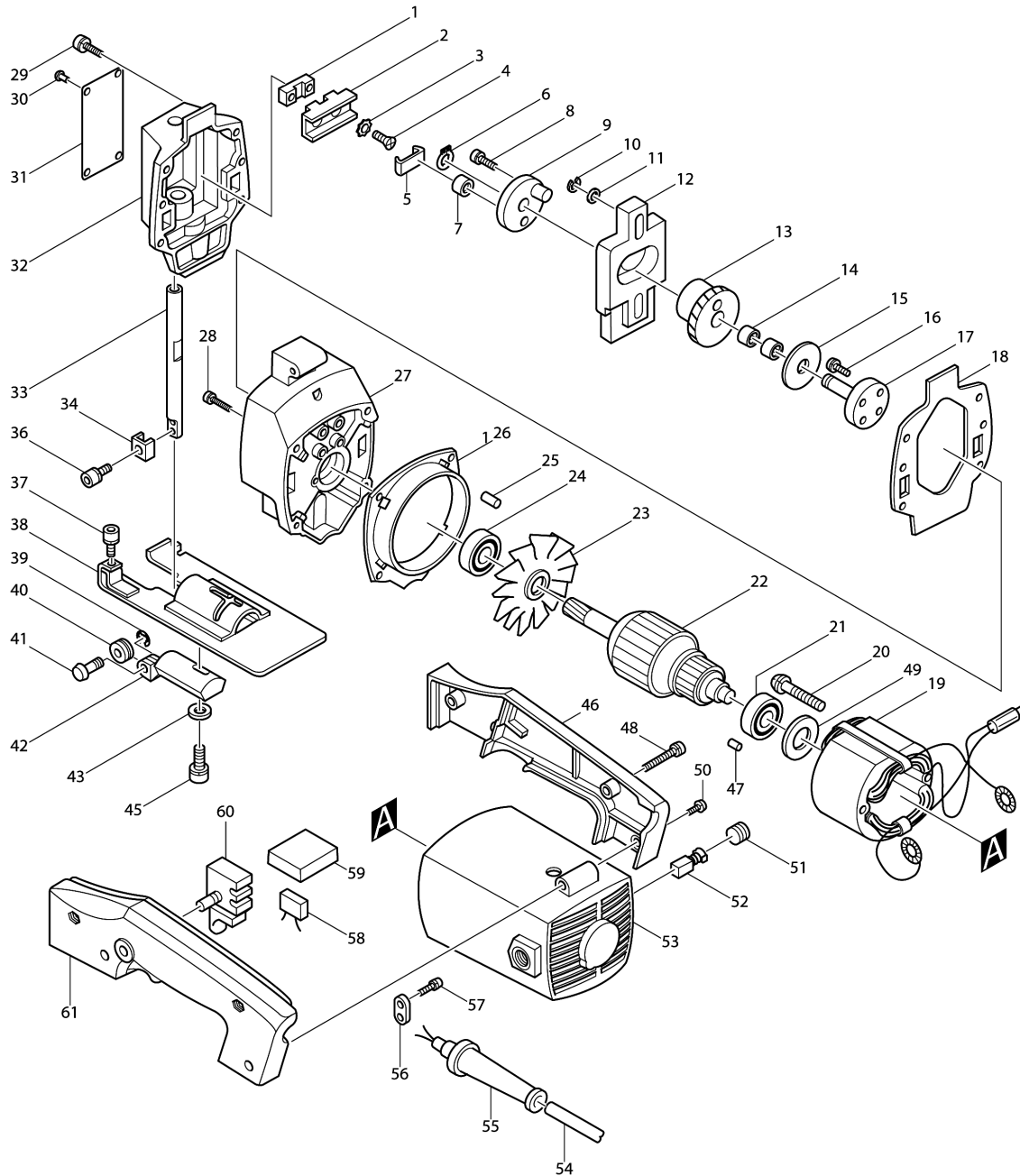


Model No.4300BA JIG SAW



Model No.4300BA JIG SAW

Item	Parts No.	Description	I/C	Qty	New/Old	Opt. 1	Opt. 2	Note
001	335018-5	SLIDER SUPPORT		1				
002	334018-2	SLIDER		1				
003	943052-7	TOOTHED LOCK WASHER 4		2				
004-1	251387-5	+ COUNTERSUNK HEAD SCREW M4X12		2				
005	342483-1	SLIDER PLATE		1				
006	961004-6	RETAINING RING S-8		1				
007-1	212049-0	NEEDLE BEARING 607		1				
008	911221-8	PAN HEAD SCREW M5X16		2				
009	163021-4	CRANK		1				
010	961018-5	STOP RING E-5		2				
011	253077-6	FLAT WASHER 6		2				
012	313014-3	BALANCE PLATE		1				
013	221160-7	HELICAL GEAR 51		1				
014	212005-0	NEEDLE BEARING 810		2				
015	253076-8	FLAT WASHER 8		1				
016	911116-5	PAN HEAD SCREW M4X12		4				
017	323221-0	GEAR SHAFT		1				
018	442082-0	PACKING		1				
019C_	522015-2	FIELD ASS'Y 220V		1				
C10	654018-9	RING TERMINAL		2				
C20	654501-6	CONNECTOR P-1.25		2				
020-2	911666-0	PAN HEAD SCREW M5X45		2				
021-1	211033-2	BALL BEARING 608LB		1				
022C_	512065-5	ARMATURE ASS'Y 220V		1	*			
D10		INC. 21,23,24			*			
022C1	512065-5	ARMATURE ASS'Y 220V	O	1				
D10		INC. 21,23,24,62						
023-1	241518-4	FAN 68		1				
024-1	211033-2	BALL BEARING 608LB		1				
025	263002-9	RUBBER PIN 4		1				
026	343087-2	BAFFLE PLATE		1				
027C_	156167-3	GEAR HOUSING		1	*			
C10	325126-0	GUIDE PIN		2	*			
C20	951051-5	SPRING PIN 3-8		2	*			
D10		INC. 25			*			
027C1	157406-4	GEAR HOUSING COMPLETE	<	1				
C10	325126-0	GUIDE PIN		2				
C20	951051-5	SPRING PIN 3-8		2				
D10		INC. 25						
028	911146-6	PAN HEAD SCREW M4X25		4				
029	911136-9	PAN HEAD SCREW M4X20		4	*			
029-1	911138-5	PAN HEAD SCREW M4X20	<	4				

Please order the parts with part number.

Print Date 17/6/2019

Model No.4300BA JIG SAW

Item	Parts No.	Description	I/C	Qty	New/Old	Opt. 1	Opt. 2	Note
030	953106-2	RIVET 0-5		4	*			
031	811693-6	NAME PLATE 4300BA		1	*			
031-1	851599-6	NAME PLATE 4300BA	X	1				
032B_	156168-1	GEAR HOUSING COVER		1	*			
C10	214001-4	PLANE BEARING 8		2	*			
C20	253778-6	FLAT WASHER 8		1	*			
C30	443008-5	FELT		1	*			
032B1	157407-2	GEAR HOUSING COVER	<	1				
C10	214001-4	PLANE BEARING 8		2				
C20	253778-6	FLAT WASHER 8		1				
C30	443008-5	FELT		1				
033	325125-2	BLADE HOLDER		1				
034-1	331211-9	BLADE SET		1	*			
034-2	344979-8	BLADE SET	O	1				
036-1	922111-0	HEX. SOCKET HEAD BOLT M4X10		1				
037	922117-8	HEX. SOCKET HEAD BOLT M4X12		1				
038	164491-0	BASE		1				
039	257903-1	STOP RING E-2.3		1	*			
040-1	321742-6	ROLLER		1	*			
040-2	322376-8	ROLLER	O	1				
041-1	256644-6	PIN 3		1	*			
041-2	256254-9	PIN 3	X	1	*			
041-3	256644-6	PIN 3	X	1				
042-1	134273-4	BACK ROLLER ASS'Y		1	*			
D10		INC. 39,40,41			*			
042-2	152848-7	RETAINER COMPLETE	X	1	*			
D10		INC. 40,41			*			
042-3	154530-4	RETAINER COMPLETE	S	1				
D10		INC. 40,41,64						
043	941051-3	FLAT WASHER 4		1	*			
045-1	922136-4	HEX. SOCKET HEAD BOLT M4X20		1	*			
045-2	922128-3	HEX. SOCKET HEAD BOLT M4X16	X	1	*			
045-3	922136-4	HEX. SOCKET HEAD BOLT M4X20	S	1				
046	181134-9	HANDLE SET		1				
D10		INC. 61						
047-1	263014-2	RUBBER PIN 4		1				
048	911153-9	PAN HEAD SCREW M4X28		2				
049	253192-6	FLAT WASHER 14		1				
050	911223-4	PAN HEAD SCREW M5X16		4				
051	643550-8	BRUSH HOLDER CAP 5-8		2				

Please order the parts with part number.

Print Date 17/6/2019

Model No.4300BA JIG SAW

Item	Parts No.	Description	I/C	Qty	New/Old	Opt. 1	Opt. 2	Note
052B_	181021-2	CARBON BRUSH CB-51		1				
053-1	157819-9	MOTOR HOUSING		1				
C10	643556-6	BRUSH HOLDER 5-8		2				
D10		INC. 47						
054S_	666066-6	POWER SUPPLY CORD 1.0-2-2.5		1				
055A_	682502-4	CORD GUARD 8-85		1				
056	687001-1	STRAIN RELIEF		1				
057-1	911133-5	PAN HEAD SCREW M4X18		2				
059	685700-9	SPONGE SHEET		1				
060F_	651232-8	SWITCH SGEL206C		1				
061	181134-9	HANDLE SET		1				
D10		INC. 46						
062	681613-2	INSULATION WASHER		1				
064	257903-1	STOP RING E-2.3		1				
065	941051-3	FLAT WASHER 4		1				
400	792006-9	JIG SAW BLADE SET		1				
403-1	132276-260	BLADE CLAMP SET		1				
D10		INC. 404						
404	922107-1	HEX. SOCKET HEAD BOLT M4X8		1				
405	271601-3	KNOB 20		1				
406	164112-4	CIRCULAR GUIDE		1				
407	323223-6	CIRCULAR GUIDE PIN		1				
408	164113-2	GUIDE RULE		1				
409-1	410048-8	WRENCH HOLDER 3.4		1				
410	783201-2	HEX. WRENCH 3		1				

Please order the parts with part number.

Print Date 17/6/2019