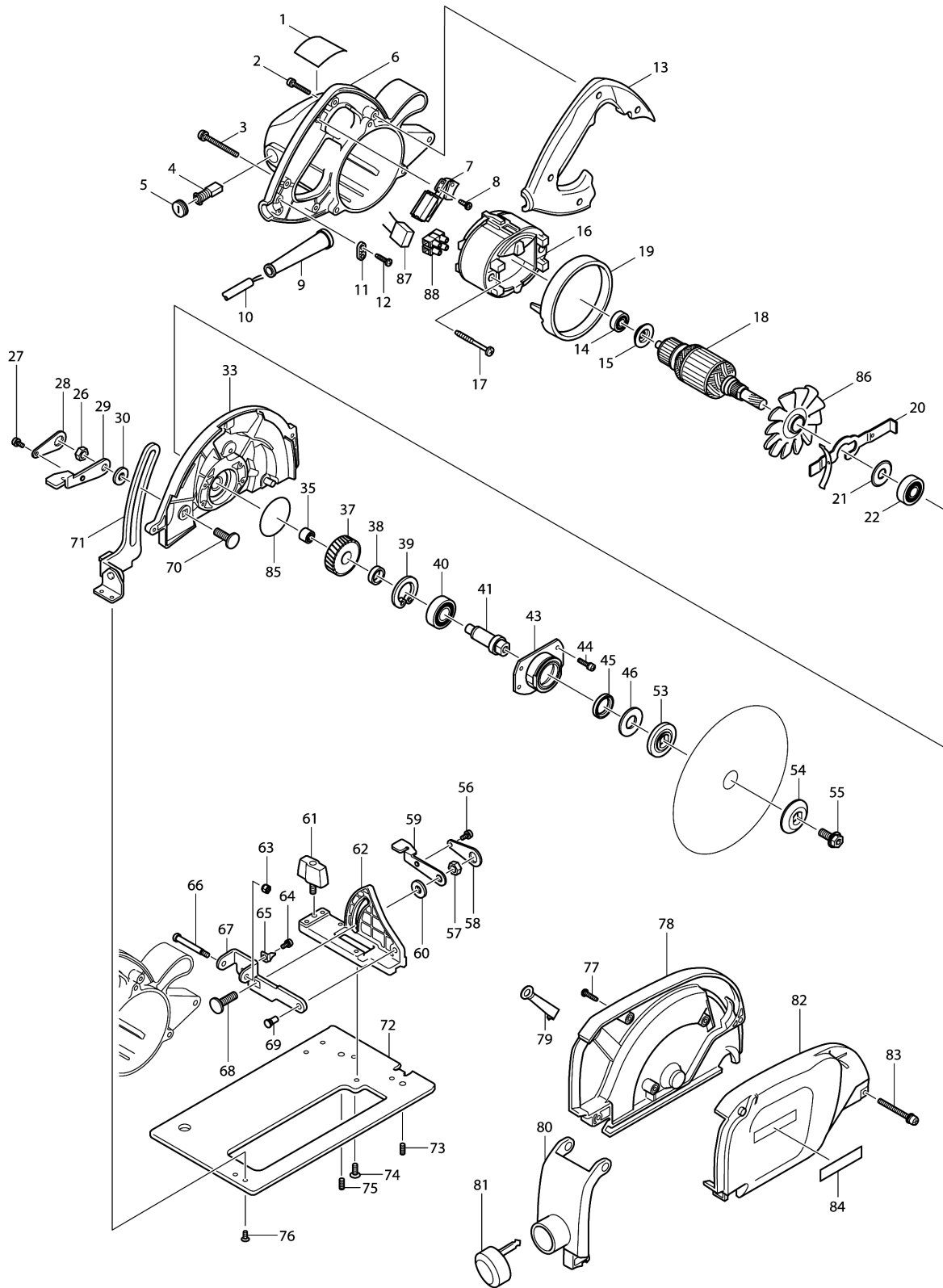


### Model No.4157KB DUSTLESS CUTTER 180MM





## Model No.4157KB DUSTLESS CUTTER 180MM

Item	Parts No.	Description	I/C	Qty	New/Old	Opt. 1	Opt. 2	Note
001	853464-5	NAME PLATE 4157KB		1	*			
001-1	853464-5	NAME PLATE 4157KB	<	1				
002	911148-2	PAN HEAD SCREW M4X25		4				
003	911273-9	PAN HEAD SCREW M5X50		3				
004	181044-0	CARBON BRUSH CB-153		1				
005	643650-4	BRUSH HOLDER CAP 6.5-13.5		2	*			
005-1	643650-4	BRUSH HOLDER CAP 6.5-13.5	O	2				
006	152925-5	MOTOR HOUSING COMPLTE		1	*			
C10	643660-1	BRUSH HOLDER 6.5-13.5		2	*			
006-1	153921-6	MOTOR HOUSING COMPLTE	S	1				
C10	643660-1	BRUSH HOLDER 6.5-13.5		2				
007	651165-7	SWITCH 8909K382		1	*			
007-1	651194-0	SWITCH TG933TL-1	S	1				
008	266020-6	TAPPING SCREW 4X12		1				
009	682540-6	CORD GUARD 9.3-90		1	*			
009-1	682505-8	CORD GUARD 10-90	O	1				
010	699014-0	POWER SUPPLY CORD 1.0-2-4.0		1	*			
010-1	665890-4	POWER SUPPLY CORD 1.0-2-4.0	<	1				
011	687031-2	STRAIN RELIEF		1	*			
011-1	687052-4	STRAIN RELIEF	S	1				
012	265995-6	TAPPING SCREW 4X18		2				
013	410201-6	HANDLE COVER		1				
014	210005-4	BALL BEARING 608DDW		1				
015	681625-5	INSULATION WASHER		1				
016	590012-6	FIELD ASS'Y 220V		1	*			
C10	654020-2	RING TERMINAL		2	*			
C20	654553-7	CONNECTOR 34137		2	*			
016-1	596068-7	FIELD ASS'Y 220V	O	1				
C10	654020-2	RING TERMINAL		2				
C20	654502-4	CONNECTOR P-2		2				
017	266046-8	TAPPING SCREW 5X50		2				
018	510040-5	ARMATURE ASS'Y 220V		1				
D10		INC. 14,15,21,22,86						
019	415603-1	FAN GUIDE		1				
020	163113-9	SPINDLE LOCK		1				
021	213102-5	DUST SEAL 12		1				
022	211129-9	BALL BEARING 6201DDW		1				
026	931402-8	HEX. NUT M8		1				
027	911106-8	PAN HEAD SCREW M4X8		1				
028	341415-5	LOCK PLATE		1				
029	341416-3	LEVER PLATE		1				

Please order the parts with part number.

Print Date 3/6/2019

## Model No.4157KB DUSTLESS CUTTER 180MM

Item	Parts No.	Description	I/C	Qty	New/Old	Opt. 1	Opt. 2	Note
030	267003-9	FLAT WASHER 8		1	*			
030-1	253766-3	FLAT WASHER 8	<	1				
033	152926-3	GEAR HOUSING COMPLETE		1	*			
C10	213459-4	O RING 32		1	*			
033-1	153302-4	GEAR HOUSING COMPLETE	S	1				
C10	213459-4	O RING 32		1				
D10		INC. 35						
035	212052-1	NEEDLE BEARING 1010		1				
037	226532-1	HELICAL GEAR 39		1				
038	257064-7	RING 15		1				
039	962153-2	RETAINING RING R-35		1				
040	211228-7	BALL BEARING 6202DDW		1				
041	324044-9	SPINDLE		1	*			
041-1	324257-2	SPINDLE	S	1				
043	317187-4	BEARING BOX		1				
044	911126-2	PAN HEAD SCREW M4X16		4				
045	213319-0	OIL SEAL 20		1				
046	344758-4	LABYRINTH RING		1				
053	224375-5	INNER FLANGE 40		1				
054	224275-9	OUTER FLANGE 40		1				
055	266283-4	HEX. SOCKET HEX. BOLT M8X20		1				
056	911106-8	PAN HEAD SCREW M4X8		1				
057	931402-8	HEX. NUT M8		1				
058	341415-5	LOCK PLATE		1				
059	341416-3	LEVER PLATE		1				
060	267003-9	FLAT WASHER 8		1	*			
060-1	253766-3	FLAT WASHER 8	<	1				
061	251858-2	DIAL SCREW M6X15		1				
062	317160-4	ANGULAR PLATE		1				
063	252103-8	HEX. LOCK NUT M5-8		1				
064	911108-4	PAN HEAD SCREW M4X8		1	*			
065	344762-3	INDICATION PLATE		1	*			
066	265075-8	+ PAN HEAD SCREW M5		1				
067	344763-1	ANGULAR GUIDE		1	*			
067-1	345491-1	ANGULAR GUIDE	S	1				
068	266227-4	CAP SQUARE NECK BOLT M8X28		1				
069	256442-8	SHOULDER PIN 6-7		1	*			
069-1	256480-0	SHOULDER PIN 6-7	O	1				
070	265965-5	CAP SQUARE NECK BOLT M8X24		1				
071	163409-8	DEPTH GUIDE		1				
072	345192-1	BASE		1				

Please order the parts with part number.

Print Date 3/6/2019

## Model No.4157KB DUSTLESS CUTTER 180MM

Item	Parts No.	Description	I/C	Qty	New/Old	Opt. 1	Opt. 2	Note
073	266180-4	+ SCREW M5X12		1	*			
073-1	266213-5	H.S.SET SCREW(FLAT POINT)M5X12	O	1				
074	912212-2	COUNTERSUNK HEAD SCREW M5X12		5				
075	266180-4	+ SCREW M5X12		1	*			
075-1	266213-5	H.S.SET SCREW(FLAT POINT)M5X12	O	1				
076	265085-5	+ COUNTERSUNK HEAD SCREW M4X8		2				
077	265995-6	TAPPING SCREW 4X18		3				
078	151565-6	DUST BOX L COMPLETE		1	*			
078-1	158925-3	DUST BOX L COMPLETE	O	1	*			
078-2	158925-3	DUST BOX L COMPLETE	<	1				
079	344761-5	EARTH PLATE		1				
080	151564-8	DUST CAP COMPLETE		1				
081	421362-7	CAP		1				
082	183105-2	DUST BOX R SET		1	*			
D10		INC. 84			*			
082-1	188823-7	DUST BOX R SET	S	1				
D10		INC. 84						
083	911263-2	PAN HEAD SCREW M5X40		2	*			
084	819003-1	MAKITA LABEL		1				
085	213621-1	O RING 46		1				
086	241513-4	FAN 92		1				
087	645200-1	NOISE SUPPRESSOR		1				
088	654542-2	TERMINAL BLOCK 2P		1	*			
089	961055-9	RETAINING RING S-15		1				
A01	410047-0	WRENCH HOLDER 5.6		1				
A02	A-87600	DIAMOND WHEEL 180X22.23		1				
A03	783204-6	HEX. WRENCH 6		1				

Please order the parts with part number.

Print Date 3/6/2019