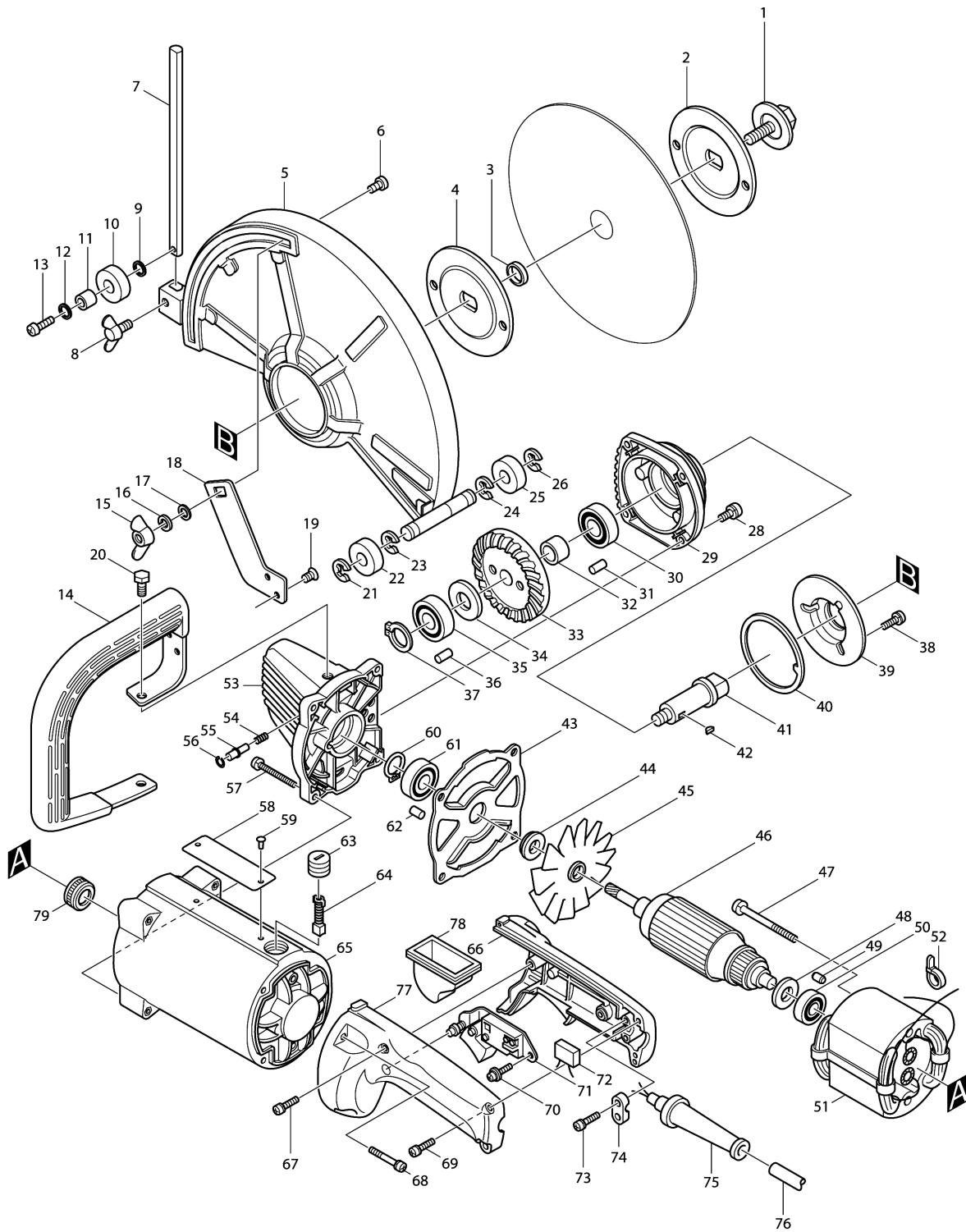


Model No.4110C ANGLE CUTTER 255MM



Model No.4110C ANGLE CUTTER 255MM

Item	Parts No.	Description	I/C	Qty	New/Old	Opt. 1	Opt. 2	Note
001	265265-3	HEX. BOLT M10X25		1				
002	224184-2	INNER FLANGE 100		1				
003	257054-0	RING 20		1				
004	224184-2	INNER FLANGE 100		1				
005A1	150188-7	SAFETY COVER COMPLETE		1				
C10	810623-4	CAUTION LABEL		1				
006	251918-0	CAP SQUARE NECK BOLT M8X24		1				
007	256923-2	ROD 12-210		1				
008	251859-0	WING BOLT M8X12		1				
009	253143-9	FLAT WASHER 12		1				
010	257091-4	RING 12		1				
011	257580-9	SLEEVE 8		1				
012	253143-9	FLAT WASHER 12		1				
013-1	911432-5	PAN HEAD SCREW M8X20		1				
014	273615-8	GRIP		1				
015	934401-9	WING NUT M8		1				
016	942201-3	SPRING WASHER 8		1				
017	941201-0	FLAT WASHER 8		1				
018	341854-9	LOCK PLATE		1				
019	912202-5	COUNTERSUNK HEAD SCREW M5X8		2				
020	921422-0	HEX. BOLT M8X16		2				
021	961015-1	STOP RING E-9		1				
022	257091-4	RING 12		1				
023	961015-1	STOP RING E-9		1				
024	961015-1	STOP RING E-9		1				
025	257091-4	RING 12		1				
026	961015-1	STOP RING E-9		1				
028-2	922236-0	HEX. SOCKET HEAD BOLT M5X22		4				
029	152203-3	BEARING BOX COMPLETE		1				
D10		INC. 31						
030	211256-2	BALL BEARING 6203LLB		1				
031	263002-9	RUBBER PIN 4		1				
032	257576-0	SLEEVE 17		1				
033	221353-6	SPIRAL BEVEL GEAR 55		1				
034	253180-3	FLAT WASHER 10		1				
035-1	211066-7	BALL BEARING 6200LLB		1				
036	263002-9	RUBBER PIN 4		1				
037	961006-2	RETAINING RING S-10		1				
038	911206-4	PAN HEAD SCREW M5X10		3				
039	162107-1	PRESSURE PLATE		1				
040	341853-1	PLATE B		1				

Please order the parts with part number.

Print Date 17/6/2019

Model No.4110C ANGLE CUTTER 255MM

Item	Parts No.	Description	I/C	Qty	New/Old	Opt. 1	Opt. 2	Note
041	321443-6	SPINDLE		1				
042	254001-2	WOODRUFF KEY 4		1				
043-1	343453-3	BAFFLE PLATE		1				
044	321444-4	BUSH 15		1				
045	241317-4	FAN 100		1				
046F3	514713-2	ARMATURE ASS'Y 220V		1				
D10		INC. 44,45,48,50						
047-1	911938-3	PAN HEAD SCREW M5X85		2				
048-4	681635-2	INSULATION WASHER		1				
050-3	211088-7	BALL BEARING 6000DDW		1				
051F1	524673-0	FIELD ASS'Y 220V		1				
C10	654020-2	RING TERMINAL		2				
C20	654502-4	CONNECTOR P-2		2				
052	687010-0	BAND		1				
053-2	157905-6	GEAR HOUSING		1				
054	231240-1	COMPRESSION SPRING 7		1				
055	256633-1	PIN 6		1				
056	231928-3	RING SPRING 8		1				
057	911261-6	PAN HEAD SCREW M5X40		4				
058	854730-3	NAME PLATE 4110C		1				
059	953106-2	RIVET 0-5		2				
060	961055-9	RETAINING RING S-15		1				
061	211206-7	BALL BEARING 6202LLB		1				
062	263005-3	RUBBER PIN 6		1				
063	643650-4	BRUSH HOLDER CAP 6.5-13.5		2	*			
063-1	643650-4	BRUSH HOLDER CAP 6.5-13.5	O	2				
064-1	181044-0	CARBON BRUSH CB-153		1				
065-4	156738-6	MOTOR HOUSING		1	*			
065-5	159687-6	MOTOR HOUSING COMPLETE	S	1				
C10	643660-1	BRUSH HOLDER 6.5-13.5		2				
066B_	181442-8	HANDLE SET		1	*			
D10		INC. 77			*			
066B1	181908-8	HANDLE SET	X	1				
D10		INC. 77						
067-1	911148-2	PAN HEAD SCREW M4X25		2				
068	911248-8	PAN HEAD SCREW M5X28		2				
069-1	911148-2	PAN HEAD SCREW M4X25		1				
070A_	911113-1	PAN HEAD SCREW M4X10 WITH WR		2				
071C_	651131-4	SWITCH C3D-15MS		1	*			
071C1	651142-9	SWITCH C3D-15CS	X	1				
072A_	645200-1	NOISE SUPPRESSOR		1				
073A_	911133-5	PAN HEAD SCREW M4X18		2				

Please order the parts with part number.

Print Date 17/6/2019

Model No.4110C ANGLE CUTTER 255MM

Item	Parts No.	Description	I/C	Qty	New/Old	Opt. 1	Opt. 2	Note
074C1	687031-2	STRAIN RELIEF		1				
075C_	682540-6	CORD GUARD 9.3-90		1	*			
075C1	682505-8	CORD GUARD 10-90	O	1				
076R1	665865-3	POWER SUPPLY CORD 1.0-2-2.5		1				
077B_	181442-8	HANDLE SET		1	*			
D10		INC. 66			*			
077B1	181908-8	HANDLE SET	X	1				
D10		INC. 66						
078	421279-4	DUST COVER F/AC/DC SWITCH		1				
079	421417-8	RUBBER RING 26		1	*			
079-1	421490-8	RUBBER RING 26	S	1				
401	782210-8	SOCKET WRENCH 17		1				
403	182528-1	STEEL CARRYING CASE		1	*			
C10	819068-3	MAKITA MARK		1	*			
403-1	824697-9	PLASTIC CARRYING CASE	O	1	*			
C10	819145-1	MAKITA LOGO LABEL		1	*			
C20	416401-6	LATCH		2	*			
403-2	824697-9	PLASTIC CARRYING CASE	O	1				
C10	819145-1	MAKITA LOGO LABEL		1				
C20	163467-4	LATCH		2				
404	122263-9	BASE SET		1				
D10		INC. 405-410						
405	941201-0	FLAT WASHER 8		1				
406	942201-3	SPRING WASHER 8		1				
407	924416-4	WING BOLT M8X15		1				
408	941151-9	FLAT WASHER 6		1				
409	942151-2	SPRING WASHER 6		1				
410	924311-8	WING BOLT M6X12		1				

Please order the parts with part number.

Print Date 17/6/2019